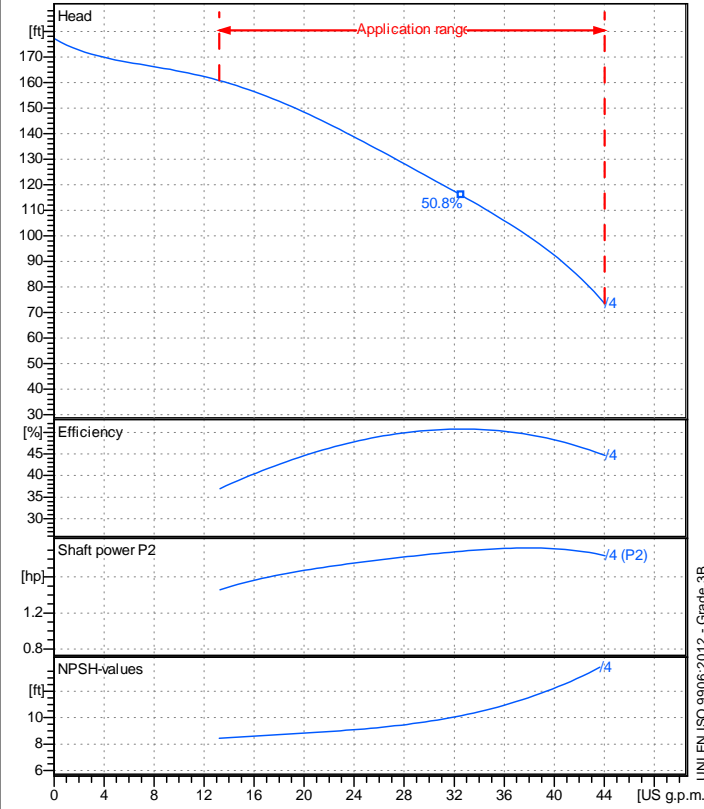


Company name
 Respons. Department
 Person in charge
 Phone number
 Fax no
 E-mail address

Receiver	From



Operating data specification

Nominal flow	US g.p.m. 0
Nominal head	ft 0
Static head	ft 0
NPSH - v alue of plant	ft 0
Inlet pressure	psi 1.42
Fluid	Water, pure
Operating temperature t A	°F 68
Density at t A	lb/ft³ 62.32
Kin. viscosity at t A	ft²/s 1.082E-5

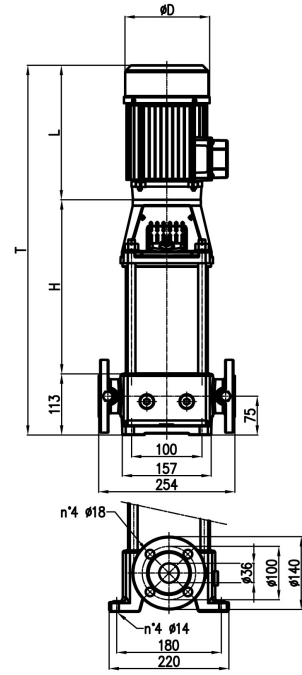
Pump		
Pump name	6MK32/4	
Size		
Design		
Speed rpm	3500	
No of stages	4	
Impeller type	Radial impeller	
Flow	Nominal US g.p.m.	
	Max- US g.p.m.	44
	Min- US g.p.m.	13.2
Head	Nominal ft	
	Max- ft	161
	Min- ft	73.5
Head H(Q=0)	ft 177	
NPSH 3%	ft	
Max. working pressure	psi 76.7	
Shaft power	hp	
Efficiency	%	
Max absorbed power	hp 1.924	

Materials Pump

Shaft	Stainless steel AISI 431 (1.4057)
Impeller	Stainless steel AISI 304 (1.4301)
Diffuser	Stainless steel AISI 304 (1.4301)
Gasket	EPDM Rubber
Base	Cast iron EN-GJL-250
Spider	Cast iron EN-GJL-250
Mechanical seal	BQ1EG (Gra/Sic/EPDM)
Pump pipe	Stainless steel AISI 304 (1.4301)

Dimensions in inch

H	11 ¹ / ₁₆	T	25 ¹ / ₄
L	9 ³ / ₄		
øD	7 ¹ / ₁₆		



Motor		Frame size	90S	
Manufacturer / Type		SAER	MT2-V18-IE2	
Rated power	hp	2.0115	Efficiency 4/4	85.3 %
Electric current	A	4.5	Speed rpm	3550
Electric voltage	V	230/460V	3~	Hz 60
Starting mode	Unknown			
Degree of protection	IP 55	Insulation class	F	

Remarks:				
Project	Project ID	Created by	Created on	Last update
			2022-08-30	

Receiver

From

 Company name
 Respons. Department
 Person in charge
 Phone number
 Fax no
 E-mail address

Operating area

Flow

Head

Impeller type

Radial impeller

Operating data specification

0 US g.p.m.

0 ft

Impeller construction

Closed

Pump data

US g.p.m.

ft

Sense of rotation

Clockwise from the drive end

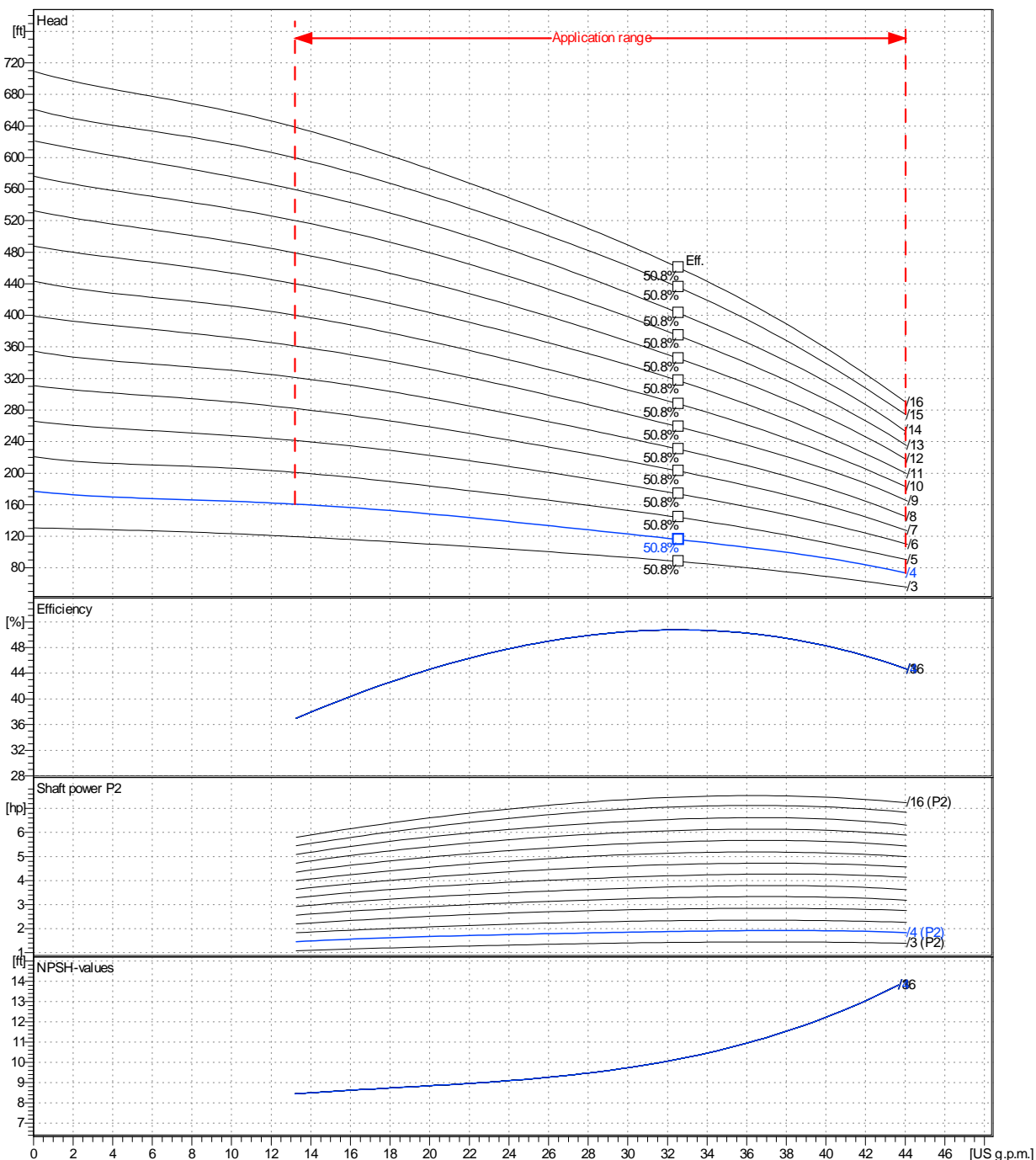
Outlet width

DN32

	Flow			Head		Shaft power P2			Speed	rpm	3500
	Min.	Max.	η Max.	H(Q=0)	η Max.	P2(Q=0)	Max.	η Max.	Frequency	Hz	60 Hz
	US g.p.m.	US g.p.m.	US g.p.m.	ft	ft	hp	hp	hp			
	13.2	44	32.6	177	116		1.92	1.89			

 Performance data based to: Water, pure [100%]; 68°F; 62.3lb/ft³; 1.08E-5ft²/s

UNI EN ISO 9906:2012 - Grade 3B



Project

Project ID

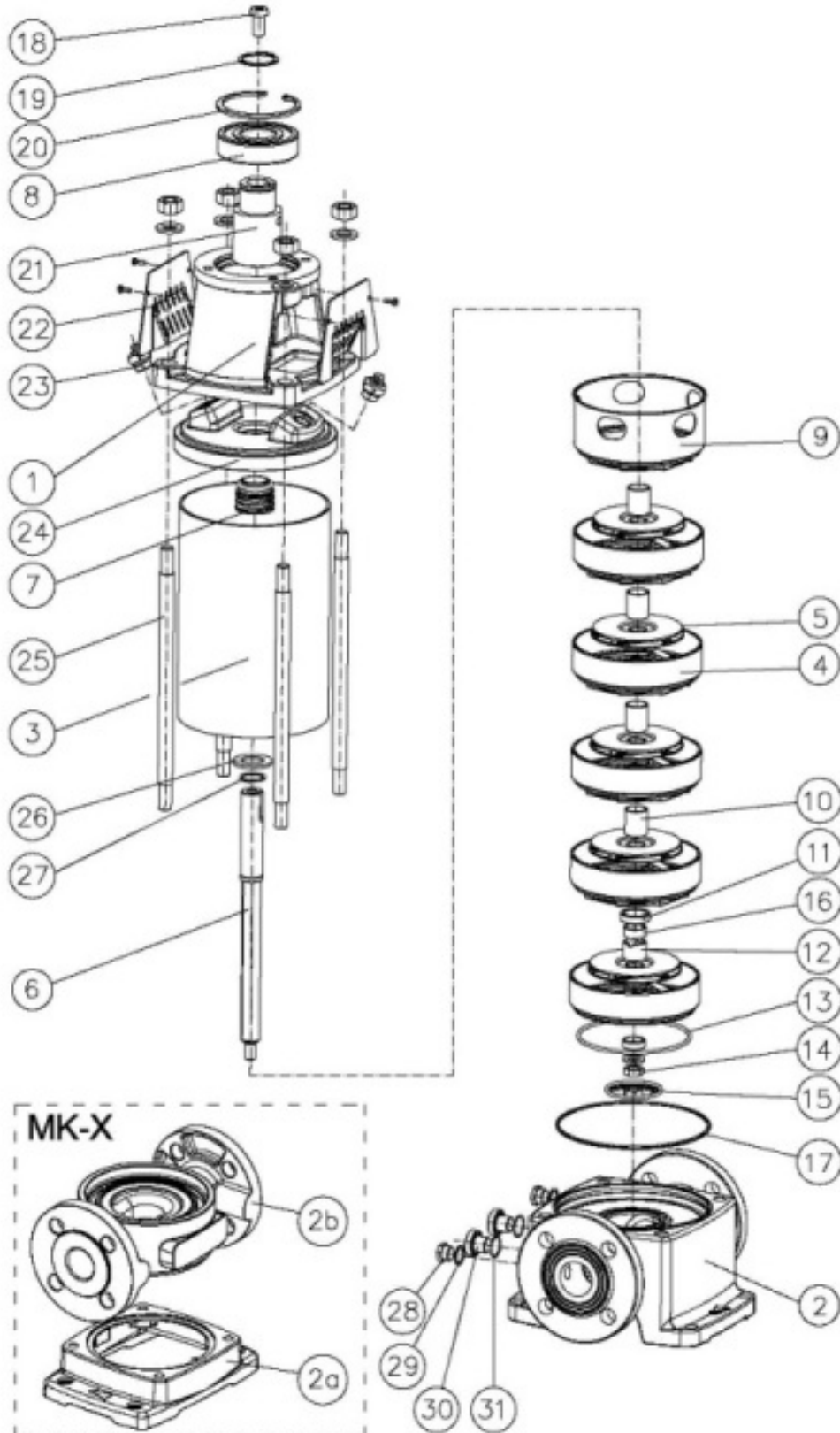
Created by

Created on

Last update

2022-08-30

Company name
Respons. Department
Person in charge
Phone number
Fax no
E-mail address



Project

Project ID

Created by

Created on
2022-08-30

Last update