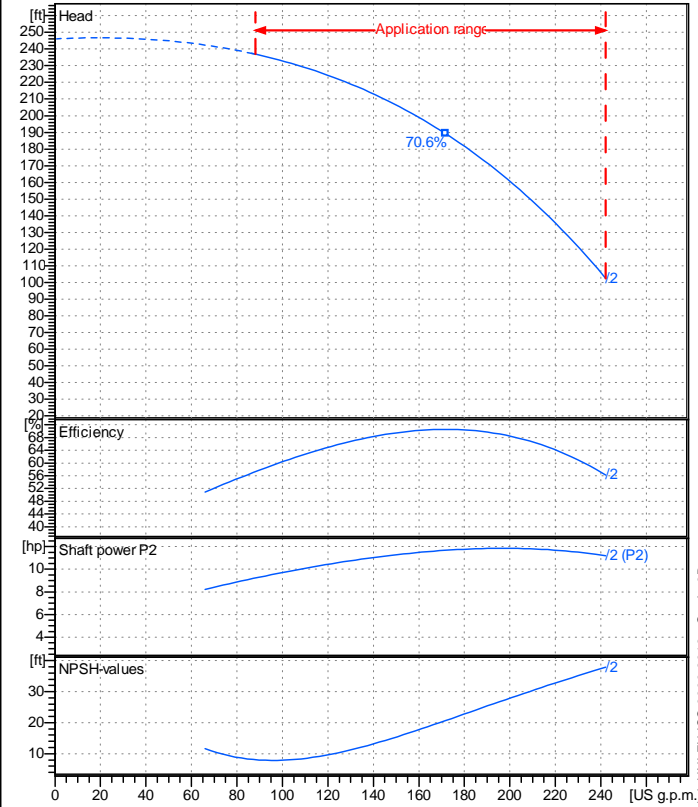


Receiver

From

 Company name
 Respons. Department
 Person in charge
 Phone number
 Fax no
 E-mail address

Operating data specification

| | |
|---------------------------|----------------|
| Nominal flow | US g.p.m. 0 |
| Nominal head | ft 0 |
| Static head | ft 0 |
| NPSH - v value of plant | ft 0 |
| Inlet pressure | psi 1.42 |
| Fluid | Water, pure |
| Operating temperature t A | °F 68 |
| Density at t A | lb/ft³ 62.32 |
| Kin. viscosity at t A | ft²/s 1.082E-5 |

Pump

| | | | |
|-----------------------|-----------|--------------|------|
| Pump name | 6MK100A/2 | | |
| Size | | | |
| Design | | | |
| Speed rpm | 3550 | No of stages | 2 |
| Impeller type | | | |
| Flow | Nominal | US g.p.m. | |
| | Max- | US g.p.m. | 242 |
| | Min- | US g.p.m. | 88.1 |
| Head | Nominal | ft | |
| | Max- | ft | 237 |
| | Min- | ft | 102 |
| Head H(Q=0) | ft | 246 | |
| NPSH 3% | ft | | |
| Max. working pressure | psi | 107 | |
| Shaft power | hp | | |
| Efficiency | % | | |
| Max absorbed power | hp | 11.847 | |

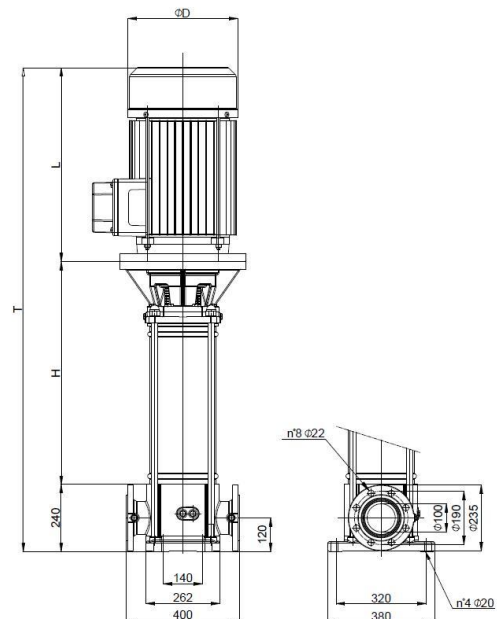
Materials Pump

| | | | |
|-----------------|-----------------------------------|--|--|
| Shaft | Stainless steel AISI 431 (1.4057) | | |
| Impeller | Brass | | |
| Diffuser | Cast iron EN-GJL-250 | | |
| Gasket | EPDM Rubber | | |
| Base | Cast iron EN-GJL-250 | | |
| Pump pipe | Stainless steel AISI 304 (1.4301) | | |
| Mechanical seal | U3Q1EG(Widia/SIC/EPDM) | | |
| | | | |
| | | | |
| | | | |
| | | | |

| | | | | |
|----------------------|------------|------------------|----------------|--------|
| Motor | Frame size | 132M | | |
| Manufacturer / Type | SAER | 132M-12.5 | | |
| Rated power | hp | 12.337 | Efficiency 4/4 | 89.9 % |
| Electric current | A | 14.7 | Speed rpm | 3550 |
| Electric voltage | V | 460V | 3~ | Hz 60 |
| Starting mode | Unknown | | | |
| Degree of protection | IP 55 | Insulation class | F | |

Dimensions in inch

| | | | |
|----|---------------------------------|---|--------------------------------|
| H | 15 ³ / ₈ | T | 43 ¹ / ₂ |
| L | 18 ¹ / ₁₆ | | |
| øD | 10 ¹ / ₄ | | |



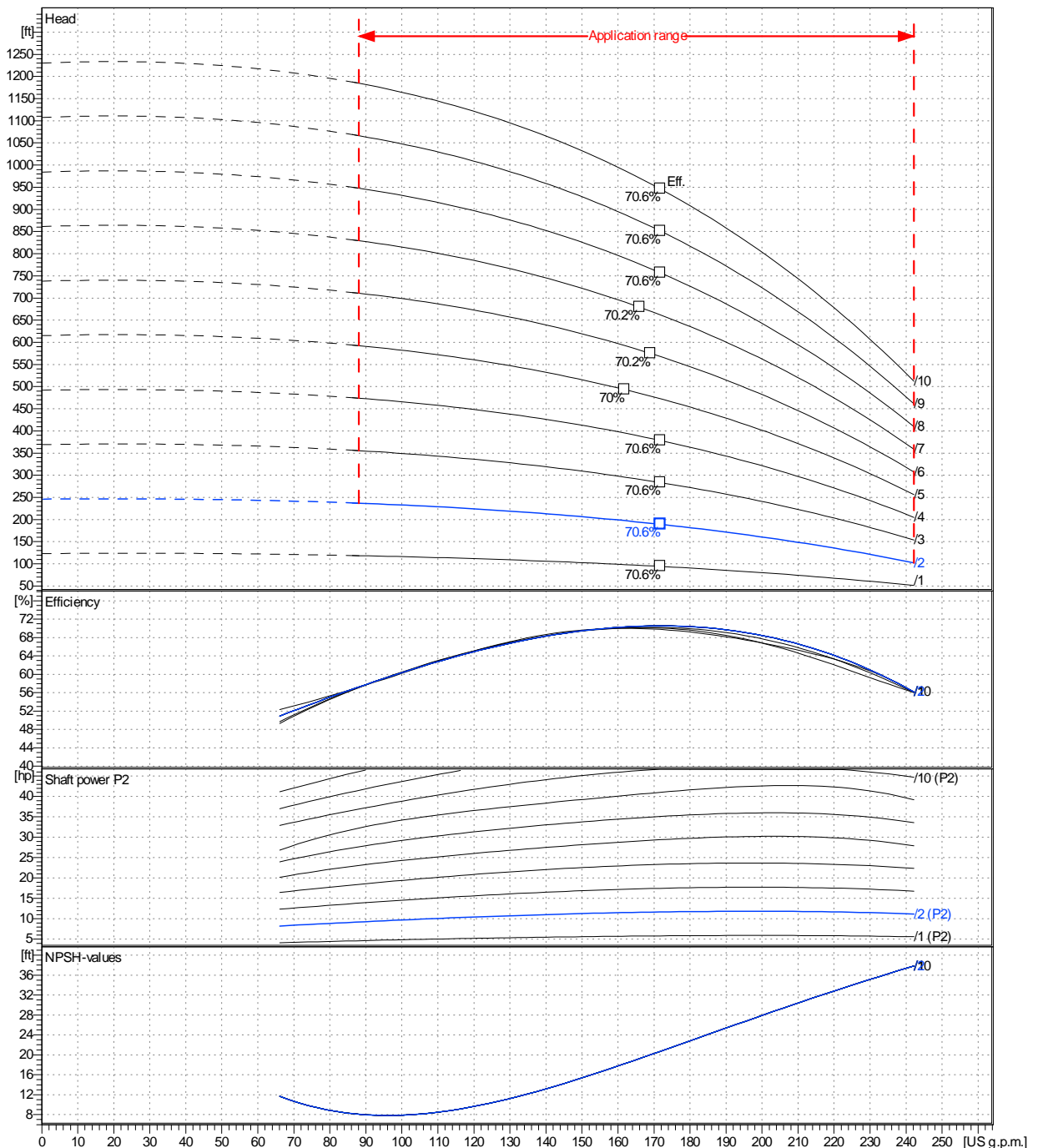
Remarks:

| | | | | |
|---------|------------|------------|------------|-------------|
| Project | Project ID | Created by | Created on | Last update |
| | | | 2022-08-30 | |

| | | | |
|---------------------|--|------|--|
| Receiver | | From | |
| Company name | | | |
| Respons. Department | | | |
| Person in charge | | | |
| Phone number | | | |
| Fax no | | | |
| E-mail address | | | |

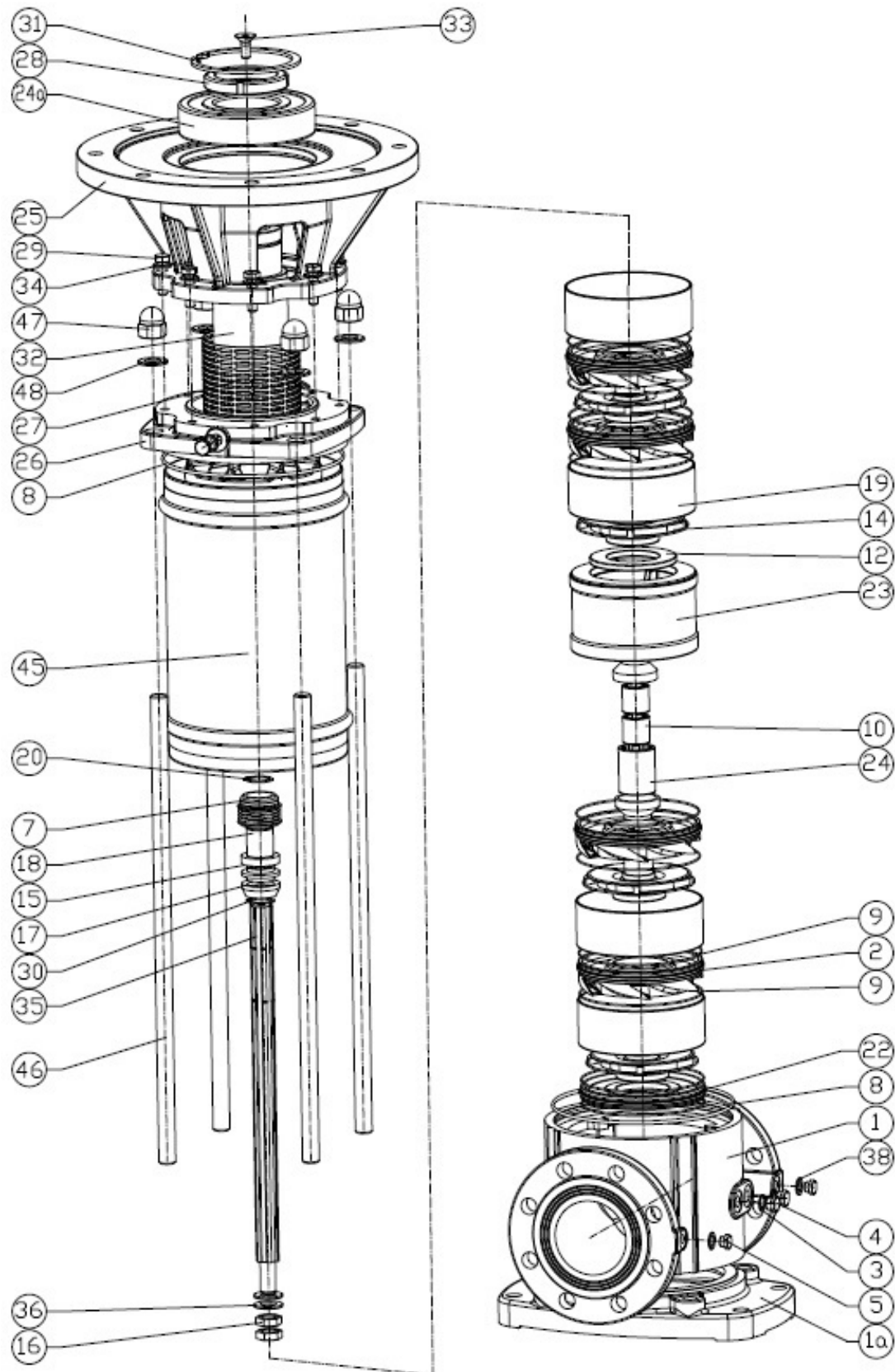
| | | | |
|------------------------------|-------------------------------|--------------------|--------------------------|
| Operating area | Flow | Head | Impeller type |
| Operating data specification | 0 US g.p.m. | 0 ft | Impeller construction |
| Pump data | US g.p.m. | ft | Sense of rotation |
| | | | Outlet width |
| | | | DN 100 |
| | Flow | Head | Shaft power P2 |
| | Speed | rpm | 3550 |
| | Frequency | Hz | 60 Hz |
| | Min. Max. η Max. | H(Q=0) η Max. | P2(Q=0) Max. η Max. |
| | US g.p.m. US g.p.m. US g.p.m. | ft ft | hp hp hp |
| | 88.1 242 172 | 246 189 | 11.8 11.7 |

Performance data based to: Water, pure [100%] ; 68°F; 62.3lb/ft³; 1.08E-5ft²/s UNI EN ISO 9906:2012 - Grade 3B



| | | | | |
|---------|------------|------------|------------|-------------|
| Project | Project ID | Created by | Created on | Last update |
| | | | 2022-08-30 | |

Company name
Respons. Department
Person in charge
Phone number
Fax no
E-mail address



Project

Project ID

Created by

Created on
2022-08-30

Last update