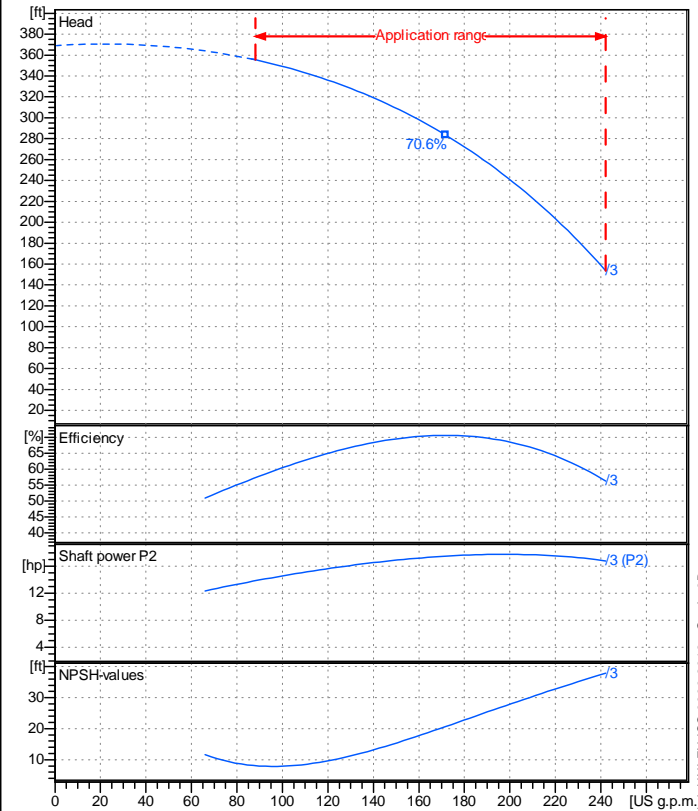


Receiver

From

Company name
Respons. Department
Person in charge
Phone number
Fax no
E-mail address

**Operating data specification**

Nominal flow	US g.p.m. 0
Nominal head	ft 0
Static head	ft 0
NPSH - v value of plant	ft 0
Inlet pressure	psi 1.42
Fluid	Water, pure
Operating temperature t A	°F 68
Density at t A	lb/ft³ 62.32
Kin. viscosity at t A	ft²/s 1.082E-5

Pump

Pump name	6MK100A/3		
Size			
Design			
Speed rpm	3550	No of stages	3
Impeller type			
Flow	Nominal	US g.p.m.	
	Max-	US g.p.m.	242
	Min-	US g.p.m.	88.1
Head	Nominal	ft	
	Max-	ft	355
	Min-	ft	154
Head H(Q=0)	ft	369	
NPSH 3%	ft		
Max. working pressure	psi	160	
Shaft power	hp		
Efficiency	%		
Max absorbed power	hp	17.756	

Materials Pump

Shaft	Stainless steel AISI 431 (1.4057)		
Impeller	Brass		
Diffuser	Cast iron EN-GJL-250		
Gasket	EPDM Rubber		
Base	Cast iron EN-GJL-250		
Pump pipe	Stainless steel AISI 304 (1.4301)		
Mechanical seal	U3Q1EG(Widia/SIC/EPDM)		

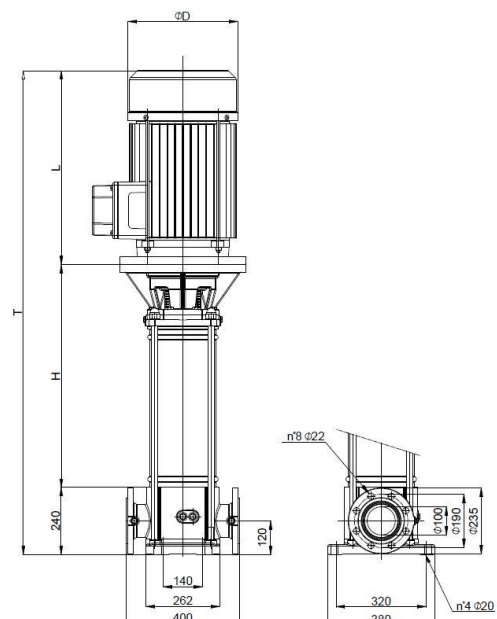
Motor	Frame size	160M		
Manufacturer / Type	SAER	160M-20		
Rated power	hp	20.115	Efficiency 4/4	90.2 %
Electric current	A	23	Speed rpm	3550
Electric voltage	V	460V	3~	Hz 60
Starting mode	Unknown			
Degree of protection	IP 55	Insulation class	F	

Remarks:

Project	Project ID	Created by	Created on 2022-08-30	Last update
---------	------------	------------	---------------------------------	-------------

Dimensions in inch

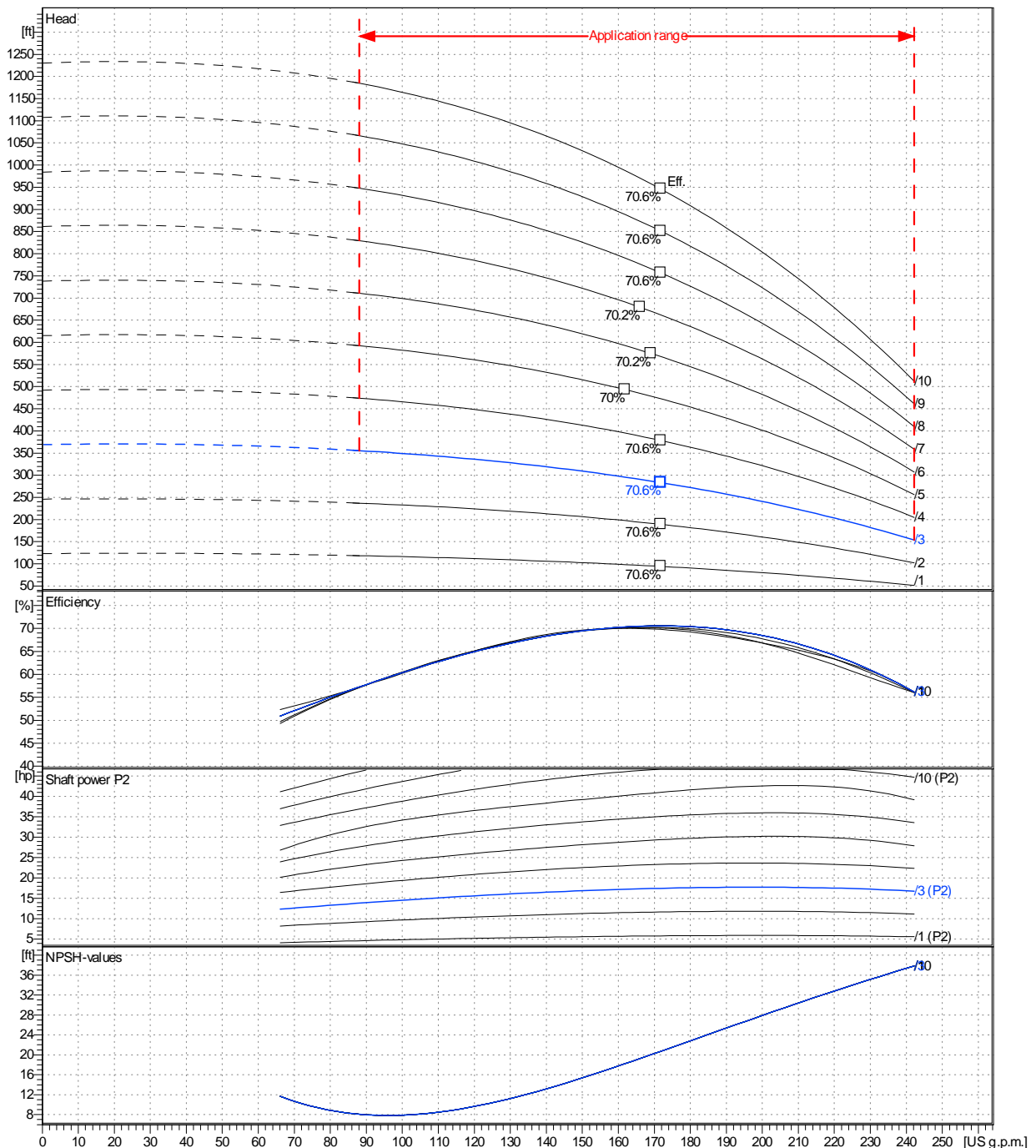
H	17 ⁷ / ₈	T	48 ¹¹ / ₁₆
L	21 ⁵ / ₁₆		
øD	12 ⁵ / ₁₆		



	Receiver	From	
Company name			
Respons. Department			
Person in charge			
Phone number			
Fax no			
E-mail address			
Operating area	Flow	Head	Impeller type
Operating data specification	0 US g.p.m.	0 ft	Impeller construction
			Sense of rotation
Pump data	US g.p.m.	ft	Outlet width
			DN 100
	Flow	Head	Shaft power P2
	Min. Max. η Max.	H(Q=0) η Max.	P2(Q=0) Max. η Max.
	US g.p.m. US g.p.m. US g.p.m.	ft ft	hp hp hp
	88.1 242 172	369 283	17.8 17.5
			Speed rpm 3550
			Frequency Hz 60 Hz

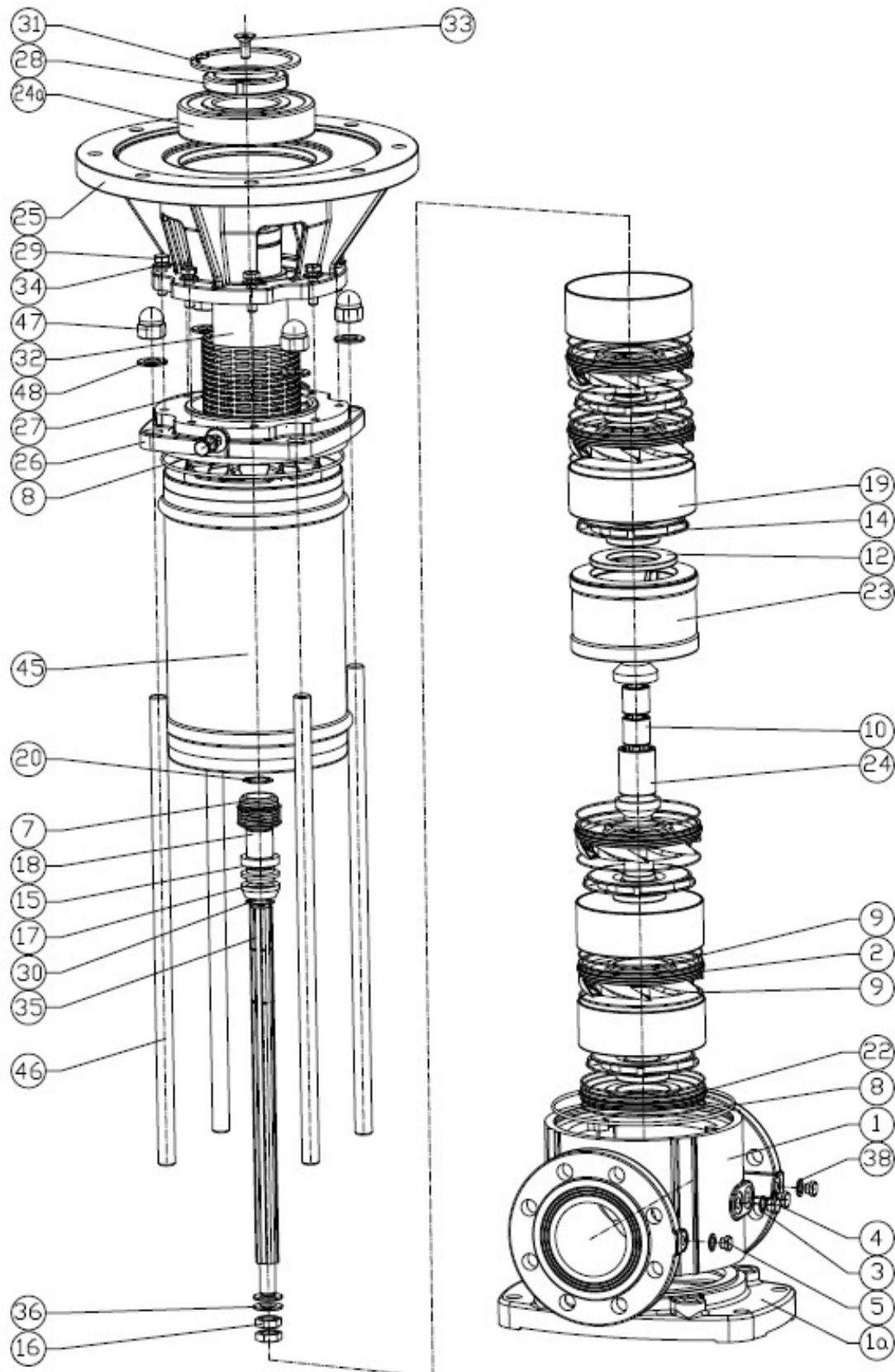
Performance data based to: Water, pure [100%]; 68°F; 62.3lb/ft³; 1.08E-5ft²/s

UNI EN ISO 9906:2012 - Grade 3B



Project	Project ID	Created by	Created on	Last update
			2022-08-30	

Company name
Respons. Department
Person in charge
Phone number
Fax no
E-mail address



Project

Project ID

Created by

Created on
2022-08-30

Last update