

Receiver

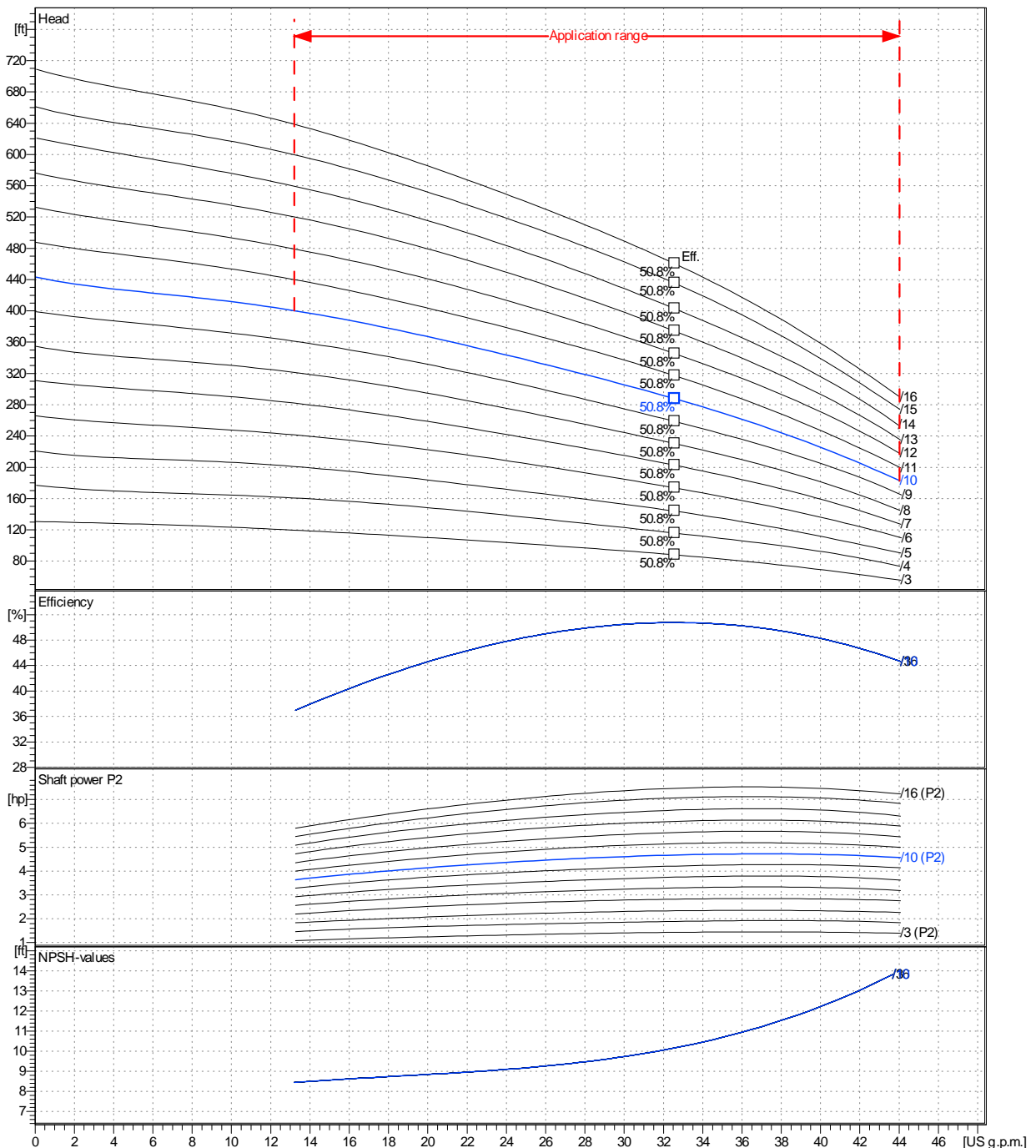
From

 Company name
 Respons. Department
 Person in charge
 Phone number
 Fax no
 E-mail address

Operating area	Flow	Head	Impeller type	Radial impeller
Operating data specification	0 US g.p.m.	0 ft	Impeller construction	Closed
Pump data	US g.p.m.	ft	Sense of rotation	Clockwise from the drive end
			Outlet width	DN32
	Flow	Head	Shaft power P2	Speed
	Min. Max. η Max.	H(Q=0) η Max.	P2(Q=0) Max. η Max.	rpm 3500
	US g.p.m. US g.p.m. US g.p.m.	ft ft	hp hp hp	Hz 60 Hz
	13.2 44 32.6	444 288	4.72 4.67	

Performance data based to: Water, pure [100%]; 68°F; 62.3lb/ft³; 1.08E-5ft²/s

UNI EN ISO 9906:2012 - Grade 3B



Project

Project ID

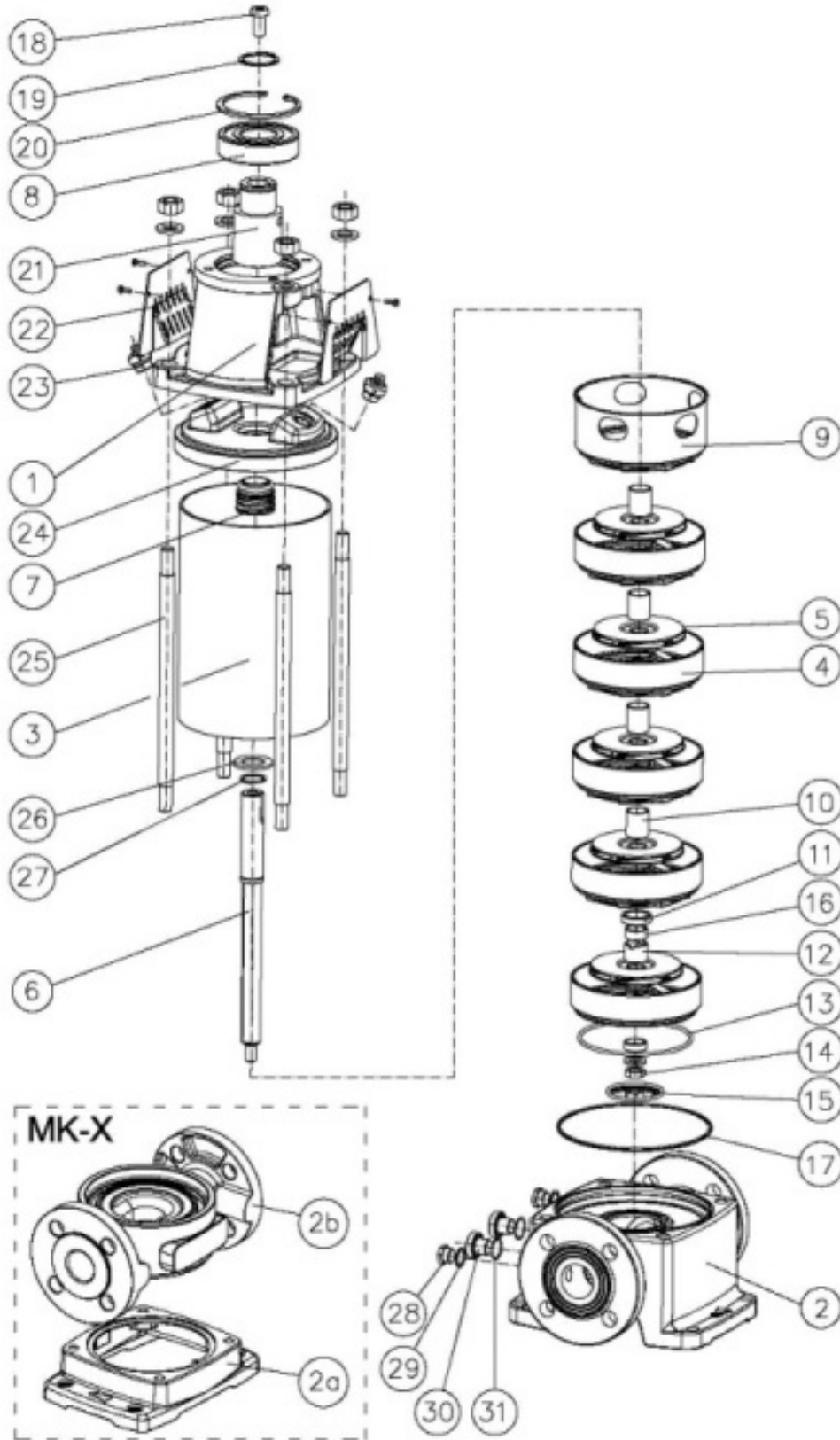
Created by

Created on

Last update

9/9/2022

Company name
Respons. Department
Person in charge
Phone number
Fax no
E-mail address



Project

Project ID

Created by

Created on
9/9/2022

Last update