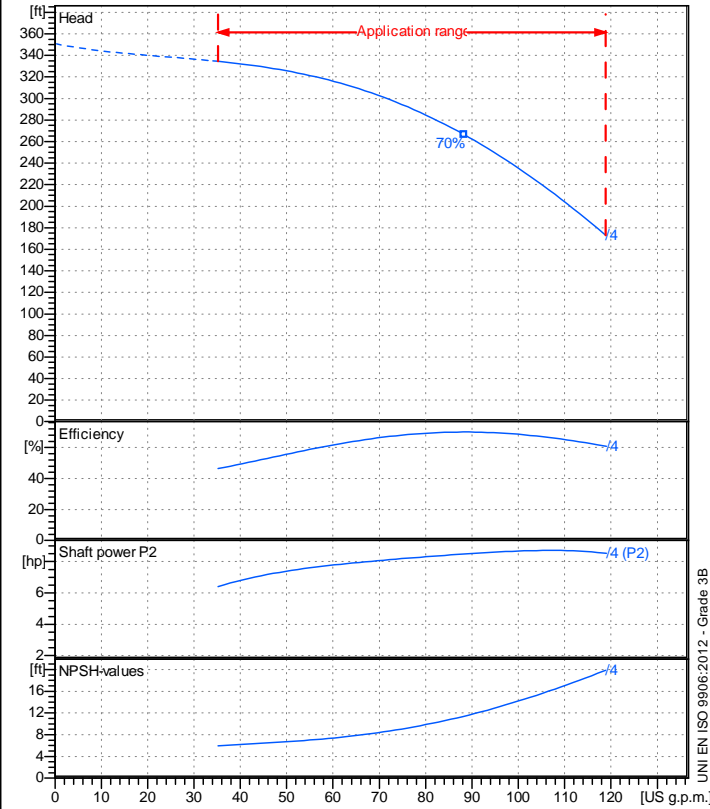


Receiver

From

 Company name
 Respons. Department
 Person in charge
 Phone number
 Fax no
 E-mail address

Operating data specification

| | |
|---------------------------|----------------|
| Nominal flow | US g.p.m. 0 |
| Nominal head | ft 0 |
| Static head | ft 0 |
| NPSH - v value of plant | ft 0 |
| Inlet pressure | psi 1.42 |
| Fluid | Water, pure |
| Operating temperature t A | °F 68 |
| Density at t A | lb/ft³ 62.32 |
| Kin. viscosity at t A | ft²/s 1.082E-5 |

Pump

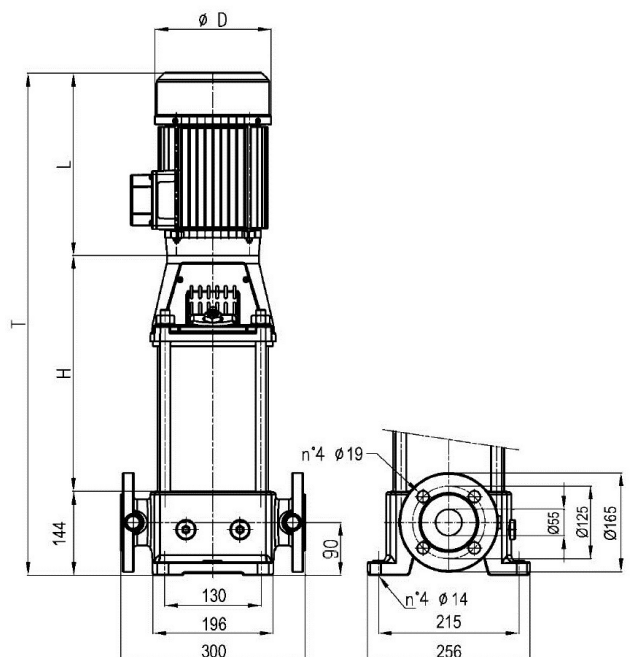
| | | | |
|-----------------------|----------|--------------|--------|
| Pump name | | 6MK50/4 | |
| Size | | | |
| Design | | | |
| Speed | rpm 3500 | No of stages | 4 |
| Impeller type | | | |
| Flow | Nominal | US g.p.m. | |
| | Max- | US g.p.m. | 119 |
| | Min- | US g.p.m. | 35.2 |
| Head | Nominal | ft | |
| | Max- | ft | 334 |
| | Min- | ft | 173 |
| Head H(Q=0) | | ft | 351 |
| NPSH 3% | | ft | |
| Max. working pressure | | psi | 152 |
| Shaft power | | hp | |
| Efficiency | | % | |
| Max absorbed power | | hp | 8.7134 |

Materials Pump

| | |
|-----------------|-----------------------------------|
| Shaft | Stainless steel AISI 431 (1.4057) |
| Impeller | Cast iron EN-GJL-250 |
| Diffuser | Cast iron EN-GJL-250 |
| Gasket | EPDM Rubber |
| Base | Cast iron EN-GJL-250 |
| Spider | Cast iron EN-GJL-250 |
| Mechanical seal | BQ1EG (Gra/Sic/EPDM) |
| Pump pipe | Stainless steel AISI 304 (1.4301) |

Dimensions in inch

| | | | |
|----|----------------------------------|---|--------------------------------|
| H | 16 ³ / ₄ | T | 41 ¹ / ₈ |
| L | 18 ¹¹ / ₁₆ | | |
| øD | 10 ¹ / ₄ | | |



| | | | | |
|----------------------|------------|------------------|----------|--|
| Motor | Frame size | 132S | | |
| Manufacturer / Type | SAER | MT2-V1-IE2 | | |
| Rated power | hp 10.058 | Efficiency 4/4 | 90.1 % | |
| Electric current | A 11.3 | Speed | rpm 3550 | |
| Electric voltage | V 460V | 3~ | Hz 60 | |
| Starting mode | Unknown | | | |
| Degree of protection | IP 55 | Insulation class | F | |

Remarks:

| | | | | |
|---------|------------|------------|-------------------|-------------|
| Project | Project ID | Created by | Created on | Last update |
| | | | 2022-08-30 | |

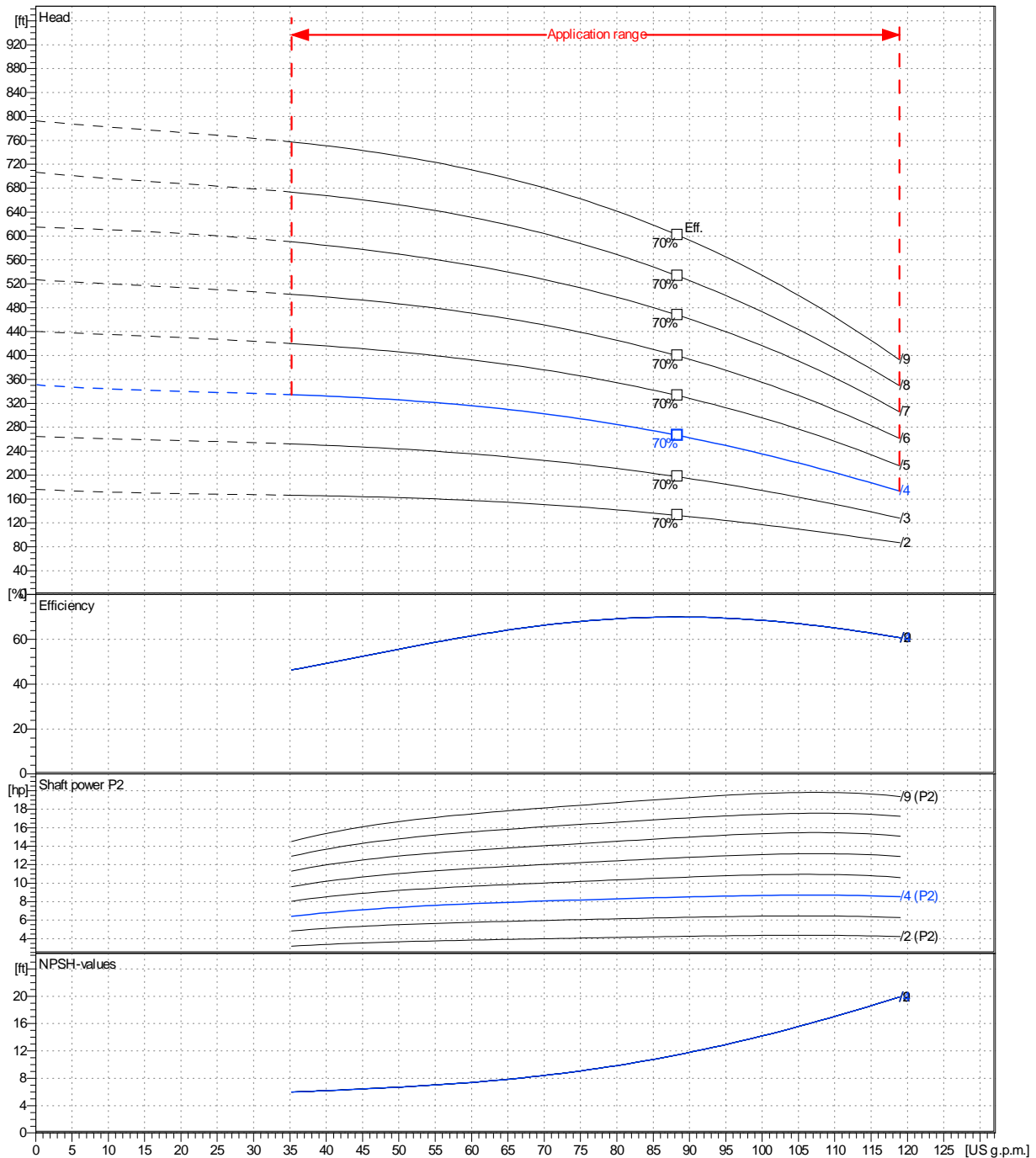
| | |
|----------|------|
| Receiver | From |
| | |
| | |
| | |
| | |

Company name
 Respons. Department
 Person in charge
 Phone number
 Fax no
 E-mail address

| | | | |
|------------------------------|-------------|------|------------------------------|
| Operating area | Flow | Head | Impeller type |
| Operating data specification | 0 US g.p.m. | 0 ft | Impeller construction |
| Pump data | US g.p.m. | ft | Sense of rotation |
| | | | Clockwise from the drive end |
| | | | Outlet width |
| | | | DN50 |
| | | | Speed |
| | | | rpm 3500 |
| | | | Frequency |
| | | | Hz 60 Hz |

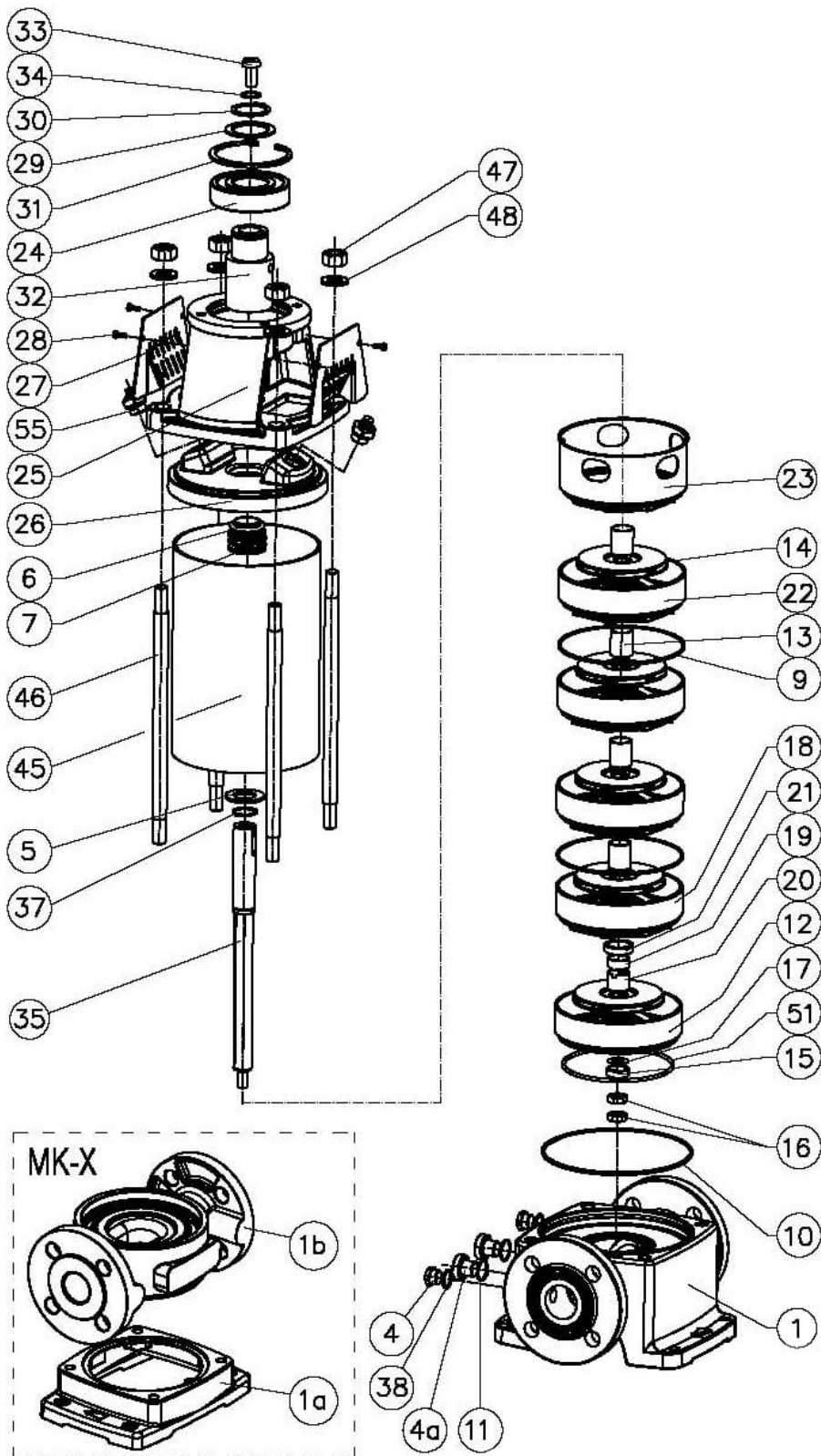
| | Flow | | | Head | | Shaft power P2 | | | Speed | rpm | 3500 |
|--|-----------|-----------|-------------|--------|-------------|----------------|------|-------------|-------|-------|------|
| | Min. | Max. | η Max. | H(Q=0) | η Max. | P2(Q=0) | Max. | η Max. | | | |
| | US g.p.m. | US g.p.m. | US g.p.m. | ft | ft | hp | hp | hp | Hz | 60 Hz | |
| | 35.2 | 119 | 88.4 | 351 | 266 | | 8.71 | 8.49 | | | |

Performance data based to: Water, pure [100%]; 68°F; 62.3lb/ft³; 1.08E-5ft²/s UNI EN ISO 9906:2012 - Grade 3B



| | | | | |
|---------|------------|------------|------------|-------------|
| Project | Project ID | Created by | Created on | Last update |
| | | | 2022-08-30 | |

Company name
Respons. Department
Person in charge
Phone number
Fax no
E-mail address



Project

Project ID

Created by

Created on
2022-08-30

Last update