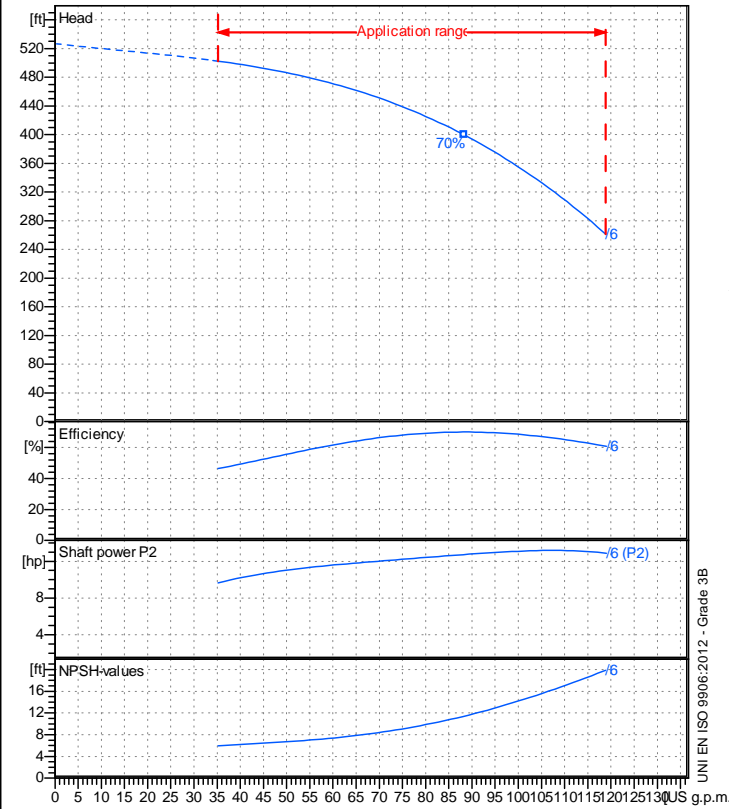


Receiver

From

 Company name
 Respons. Department
 Person in charge
 Phone number
 Fax no
 E-mail address

Operating data specification

Nominal flow	US g.p.m. 0
Nominal head	ft 0
Static head	ft 0
NPSH - v value of plant	ft 0
Inlet pressure	psi 1.42
Fluid	Water, pure
Operating temperature t A	°F 68
Density at t A	lb/ft³ 62.32
Kin. viscosity at t A	ft²/s 1.082E-5

Pump

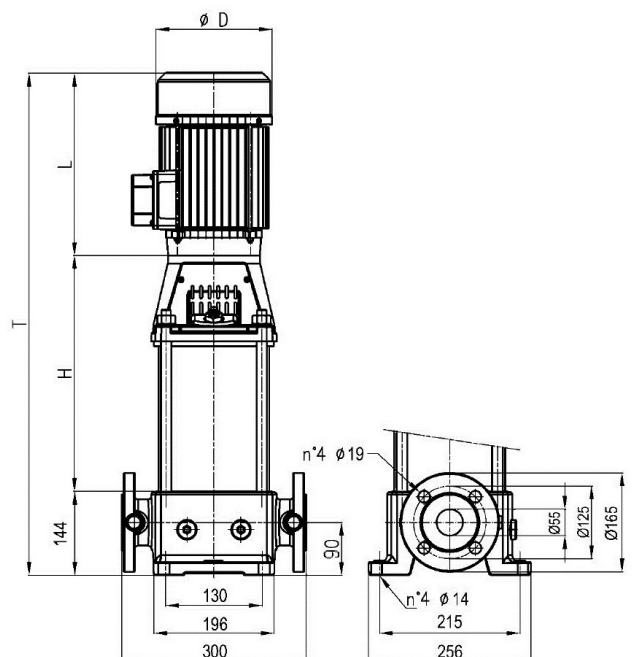
Pump name	6MK50/6		
Size			
Design			
Speed rpm	3500	No of stages	6
Impeller type			
Flow	Nominal	US g.p.m.	
	Max-	US g.p.m.	119
	Min-	US g.p.m.	35.2
Head	Nominal	ft	
	Max-	ft	502
	Min-	ft	261
Head H(Q=0)	ft	527	
NPSH 3%	ft		
Max. working pressure	psi	228	
Shaft power	hp		
Efficiency	%		
Max absorbed power	hp	13.187	

Materials Pump

Shaft	Stainless steel AISI 431 (1.4057)		
Impeller	Cast iron EN-GJL-250		
Diffuser	Cast iron EN-GJL-250		
Gasket	EPDM Rubber		
Base	Cast iron EN-GJL-250		
Spider	Cast iron EN-GJL-250		
Mechanical seal	BQ1EG (Gra/Sic/EPDM)		
Pump pipe	Stainless steel AISI 304 (1.4301)		

Dimensions in inch

H	21 ¹⁵ / ₁₆	T	49
L	21 ⁵ / ₁₆		
øD	12 ⁵ / ₁₆		



Motor	Frame size	160M		
Manufacturer / Type	SAER	MT2-V1-IE2		
Rated power	hp	14.751	Efficiency 4/4	90.2 %
Electric current	A	17	Speed rpm	3550
Electric voltage	V	460V	3~	Hz 60
Starting mode	Unknown			
Degree of protection	IP 55	Insulation class	F	

Remarks:

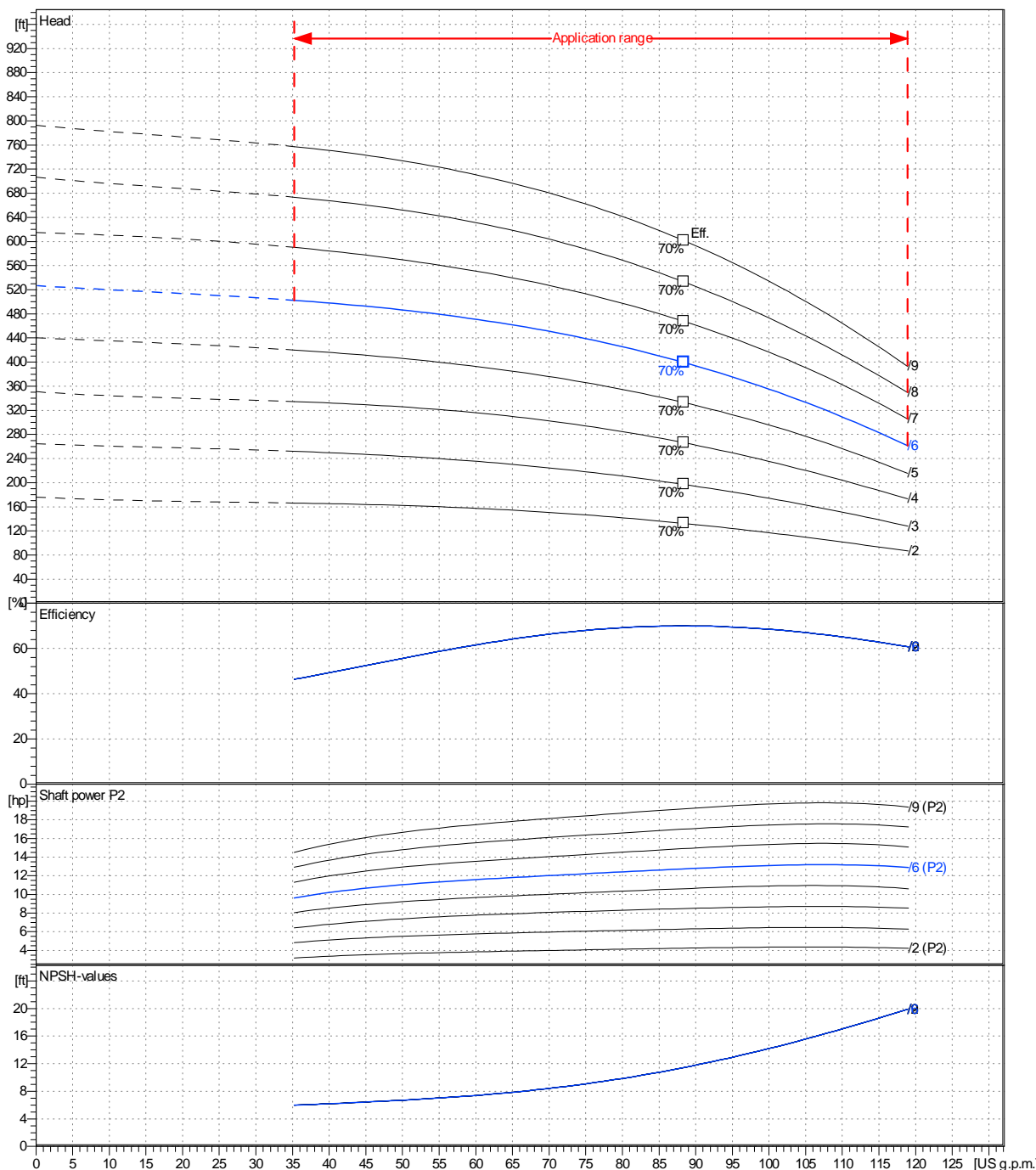
Project	Project ID	Created by	Created on	Last update
			2022-08-30	

	Receiver	From
Company name		
Respons. Department		
Person in charge		
Phone number		
Fax no		
E-mail address		

Operating area	Flow	Head	Impeller type
Operating data specification	0 US g.p.m.	0 ft	Impeller construction
Pump data	US g.p.m.	ft	Sense of rotation
			Clockwise from the drive end
			Outlet width
			DN50
	Flow	Head	Shaft power P2
	Min. Max. η Max.	H(Q=0) η Max.	P2(Q=0) Max. η Max.
	US g.p.m. US g.p.m. US g.p.m.	ft ft	hp hp hp
	35.2 119 88.4	527 399	13.2 12.7
			Speed rpm 3500
			Frequency Hz 60 Hz

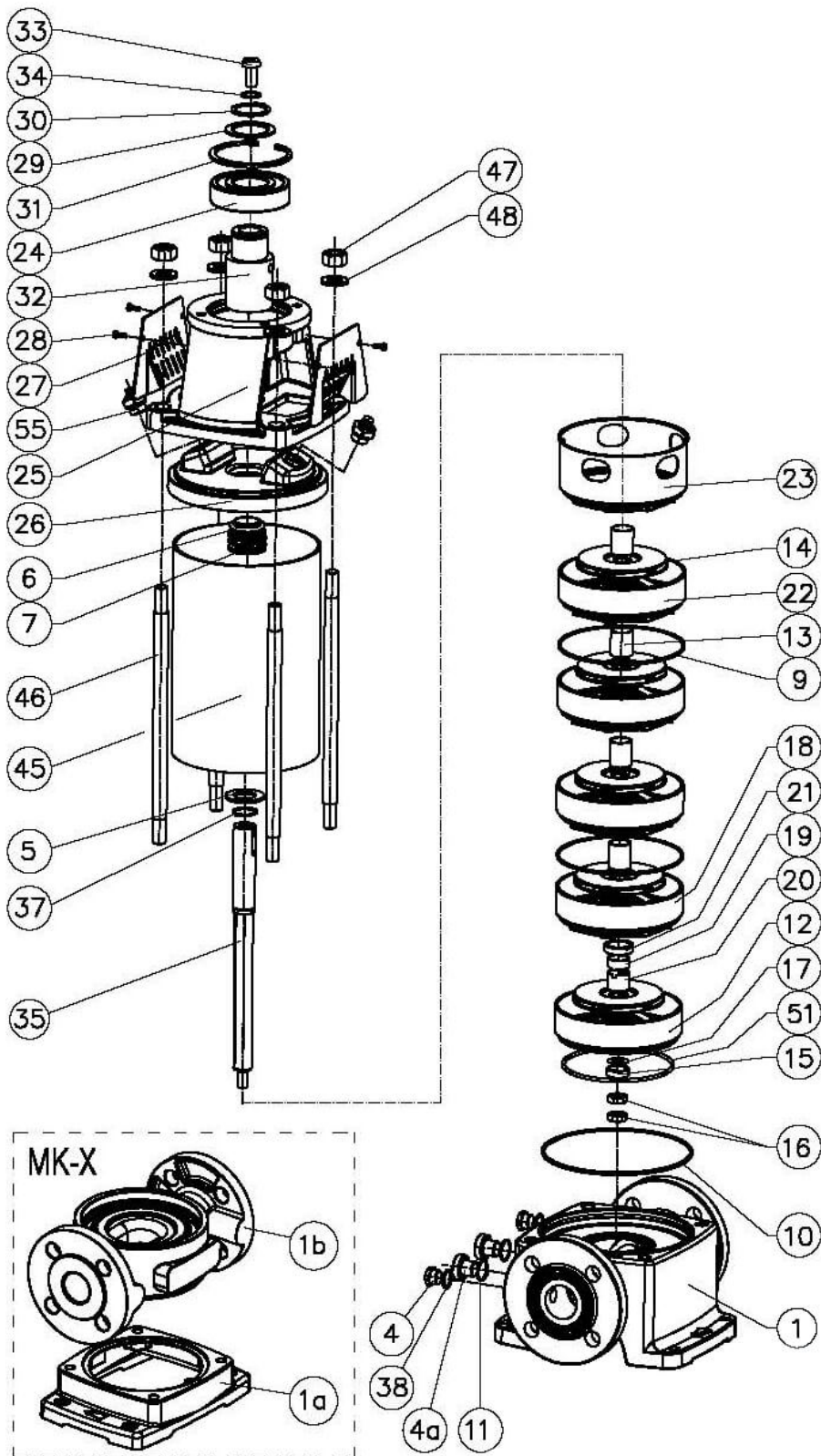
Performance data based to: Water, pure [100%]; 68°F; 62.3lb/ft³; 1.08E-5ft²/s

UNI EN ISO 9906:2012 - Grade 3B



Project	Project ID	Created by	Created on	Last update
			2022-08-30	

Company name
Respons. Department
Person in charge
Phone number
Fax no
E-mail address



Project

Project ID

Created by

Created on
2022-08-30

Last update