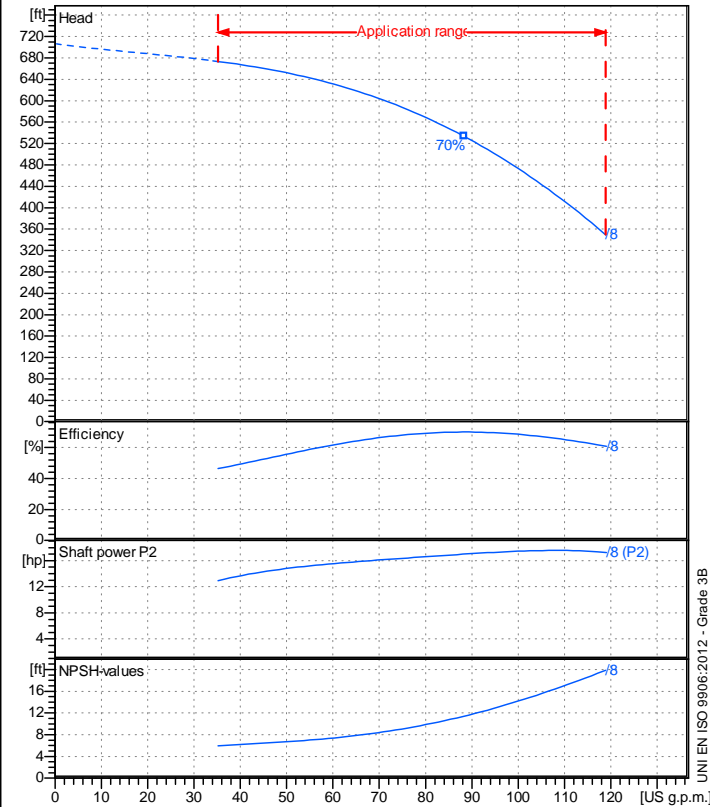


Receiver

From

 Company name
 Respons. Department
 Person in charge
 Phone number
 Fax no
 E-mail address

Operating data specification

Nominal flow	US g.p.m. 0
Nominal head	ft 0
Static head	ft 0
NPSH - v value of plant	ft 0
Inlet pressure	psi 1.42
Fluid	Water, pure
Operating temperature t A	°F 68
Density at t A	lb/ft³ 62.32
Kin. viscosity at t A	ft²/s 1.082E-5

Pump

Pump name	6MK50/8		
Size			
Design			
Speed rpm	3500	No of stages	8
Impeller type			
Flow	Nominal	US g.p.m.	
	Max-	US g.p.m.	119
	Min-	US g.p.m.	35.2
Head	Nominal	ft	
	Max-	ft	673
	Min-	ft	349
Head H(Q=0)	ft	707	
NPSH 3%	ft		
Max. working pressure	psi	306	
Shaft power	hp		
Efficiency	%		
Max absorbed power	hp	17.563	

Materials Pump

Shaft	Stainless steel AISI 431 (1.4057)		
Impeller	Cast iron EN-GJL-250		
Diffuser	Cast iron EN-GJL-250		
Gasket	EPDM Rubber		
Base	Cast iron EN-GJL-250		
Spider	Cast iron EN-GJL-250		
Mechanical seal	BQ1EG (Gra/Sic/EPDM)		
Pump pipe	Stainless steel AISI 304 (1.4301)		

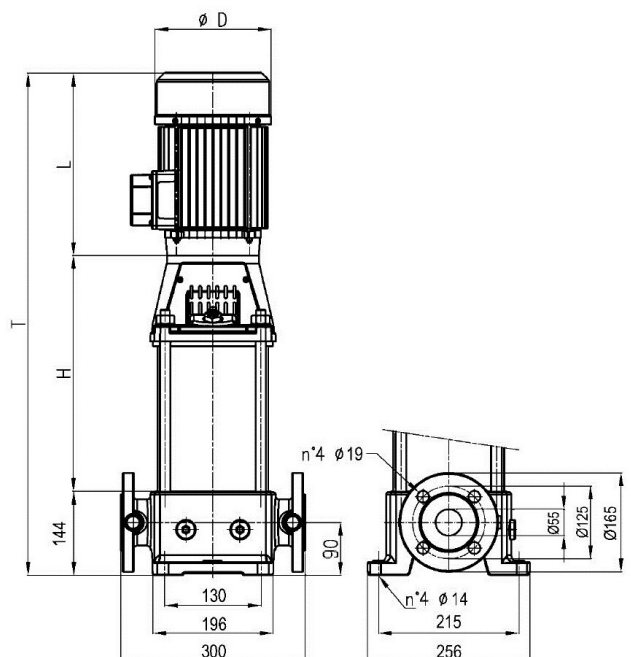
Motor	Frame size	160M		
Manufacturer / Type	SAER	MT2-V1-IE2		
Rated power	hp	20.115	Efficiency 4/4	90.2 %
Electric current	A	23	Speed rpm	3550
Electric voltage	V	460V	3~	Hz 60
Starting mode	Unknown			
Degree of protection	IP 55	Insulation class	F	

Remarks:

Project	Project ID	Created by	Created on	Last update
			2022-08-30	

Dimensions in inch

H	26 ⁵ / ₁₆	T	53 ⁵ / ₁₆
L	21 ⁵ / ₁₆		
øD	12 ⁵ / ₁₆		



Receiver

From

 Company name
 Respons. Department
 Person in charge
 Phone number
 Fax no
 E-mail address

Operating area

Flow

Head

Impeller type

Operating data specification

0 US g.p.m.

0 ft

Impeller construction

Sense of rotation

Clockwise from the drive end

Pump data

US g.p.m.

ft

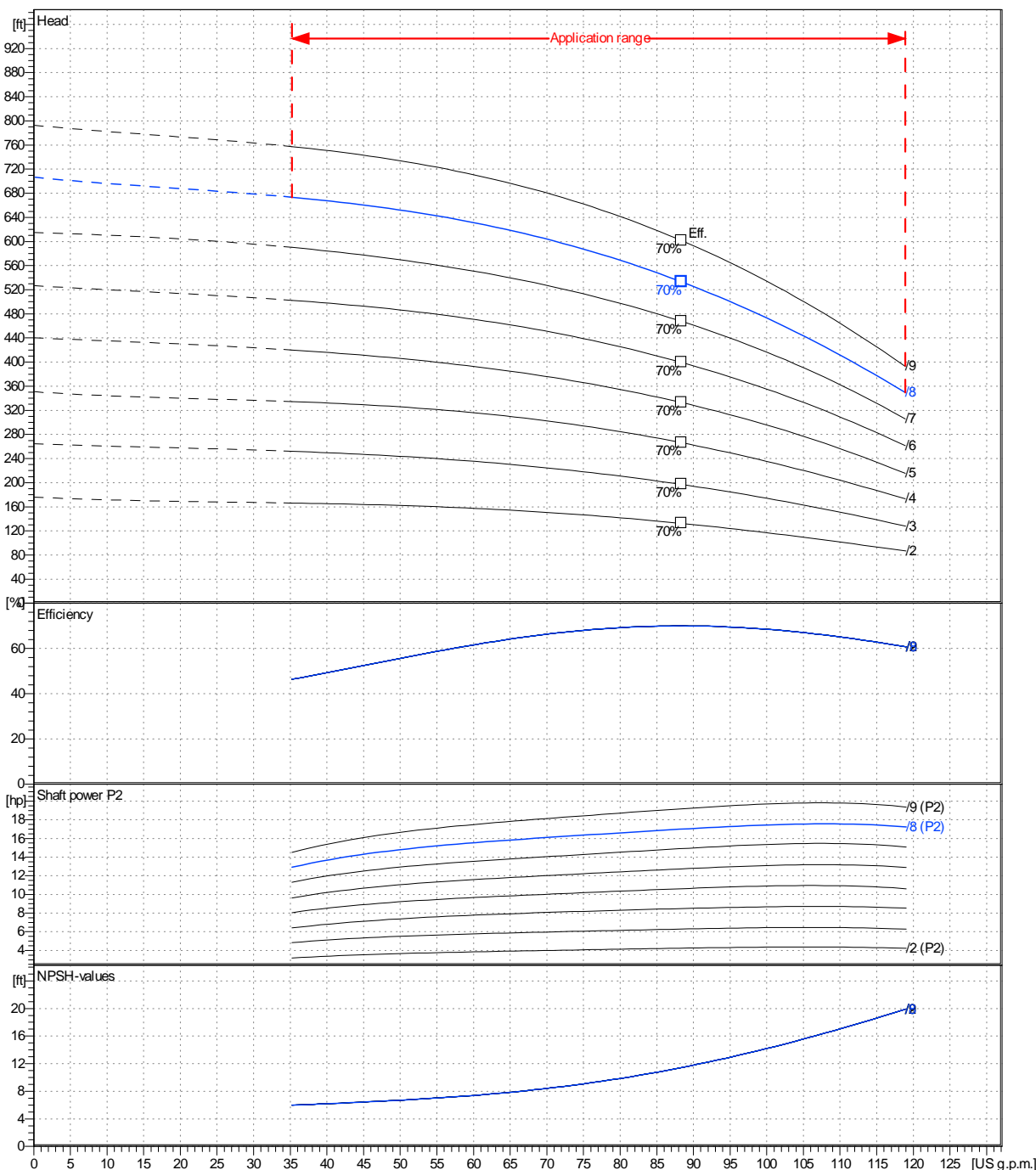
Outlet width

DN50

	Flow			Head		Shaft power P2			Speed	rpm	3500
	Min.	Max.	η Max.	H(Q=0)	η Max.	P2(Q=0)	Max.	η Max.	Frequency	Hz	60 Hz
	US g.p.m.	US g.p.m.	US g.p.m.	ft	ft	hp	hp	hp			
	35.2	119	88.4	707	533		17.6	17			

Performance data based to: Water, pure [100%]; 68°F; 62.3lb/ft³; 1.08E-5ft²/s

UNI EN ISO 9906:2012 - Grade 3B



Project

Project ID

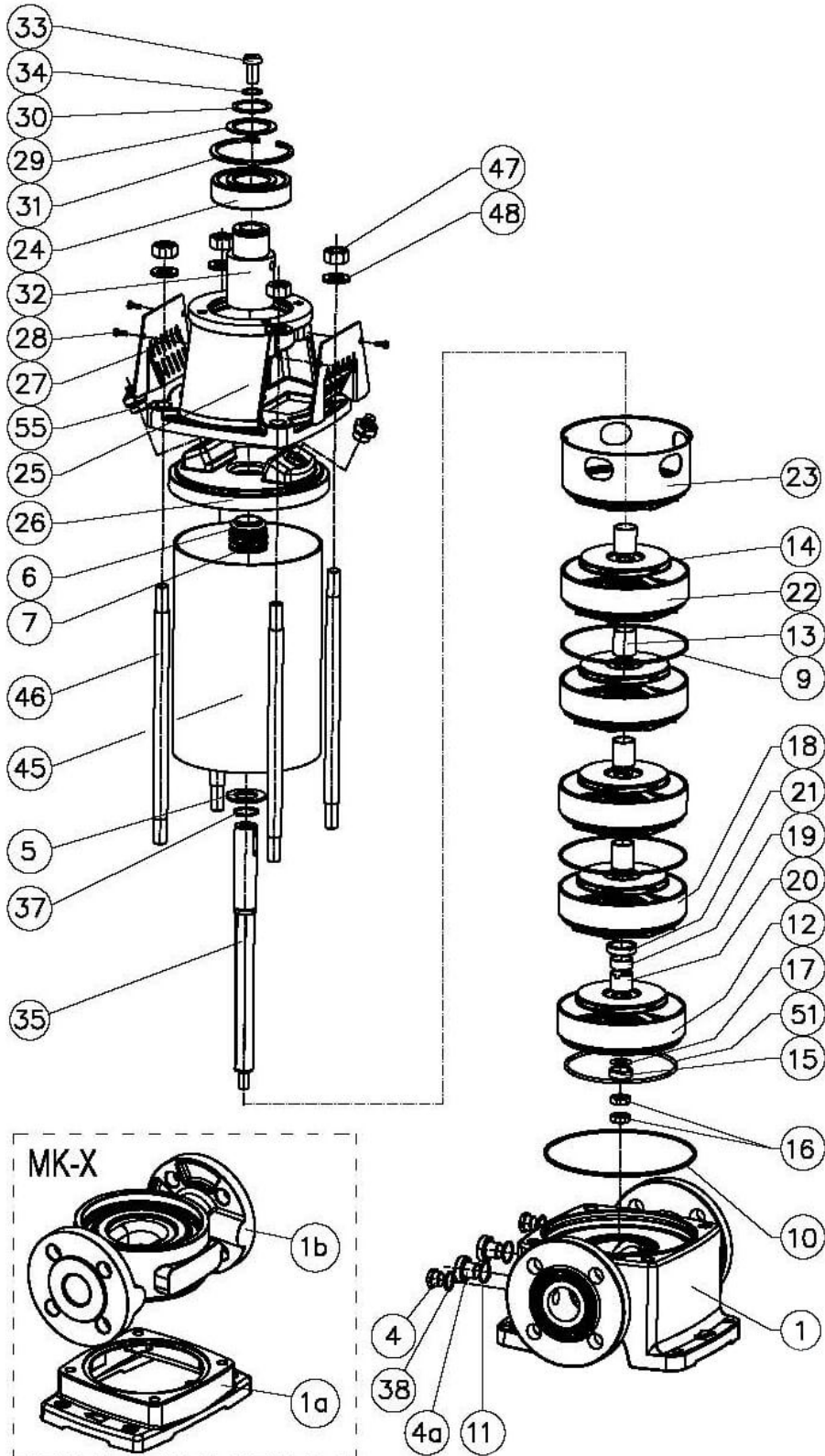
Created by

Created on

Last update

2022-08-30

Company name
Respons. Department
Person in charge
Phone number
Fax no
E-mail address



Project

Project ID

Created by

Created on
2022-08-30

Last update