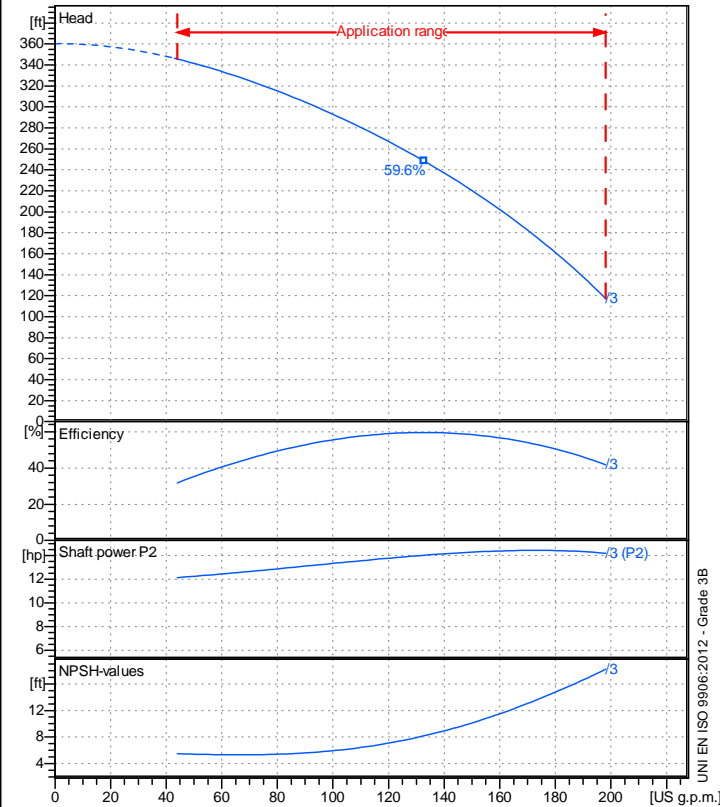


Receiver

From

 Company name
 Respons. Department
 Person in charge
 Phone number
 Fax no
 E-mail address

Operating data specification

Nominal flow	US g.p.m.	0
Nominal head	ft	0
Static head	ft	0
NPSH - v value of plant	ft	0
Inlet pressure	psi	1.42
Fluid		Water, pure
Operating temperature t A	°F	68
Density at t A	lb/ft³	62.32
Kin. viscosity at t A	ft²/s	1.082E-5

Pump

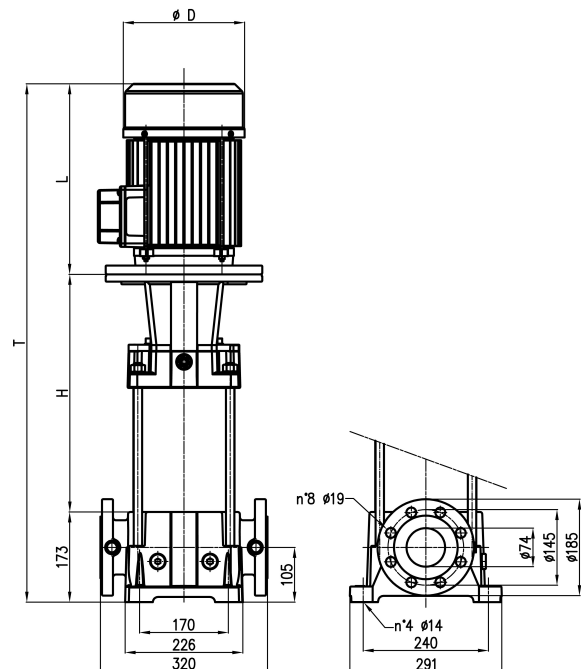
Pump name	6MK65/3		
Size			
Design			
Speed rpm	3500	No of stages	3
Impeller type			
Flow	Nominal	US g.p.m.	
	Max-	US g.p.m.	198
	Min-	US g.p.m.	44
Head	Nominal	ft	
	Max-	ft	346
	Min-	ft	117
Head H(Q=0)	ft	360	
NPSH 3%	ft		
Max. working pressure	psi	156	
Shaft power	hp		
Efficiency	%		
Max absorbed power	hp	14.424	

Materials Pump

Shaft	Stainless steel AISI 431 (1.4057)
Impeller	Carbon steel G20Mn5 (1.6620)
Diffuser	Carbon steel G20Mn5 (1.6620)
Gasket	EPDM Rubber
Base	Cast iron EN-GJL-250
Spider	Cast iron EN-GJL-250
Pump pipe	Stainless steel AISI 304 (1.4301)
Mechanical seal	BQ1EG (Gra/Sic/EPDM)

Dimensions in inch

H	17 ¹⁵ / ₁₆	T	46 ¹ / ₈
L	21 ⁵ / ₁₆		
øD	12 ⁵ / ₁₆		



Motor	Frame size	160M		
Manufacturer / Type	SAER	MT2-V1-IE2		
Rated power	hp	14.751	Efficiency 4/4	90.2 %
Electric current	A	17	Speed rpm	3550
Electric voltage	V	460V	3~	Hz 60
Starting mode	Unknown			
Degree of protection	IP 55	Insulation class	F	

Remarks:

Project	Project ID	Created by	Created on	Last update
			2022-08-30	

Receiver

From

 Company name
 Respons. Department
 Person in charge
 Phone number
 Fax no
 E-mail address

Operating area

Flow

Head

Impeller type

Operating data specification

0 US g.p.m.

0 ft

Impeller construction

Closed

Pump data

US g.p.m.

ft

Sense of rotation

Clockwise from the drive end

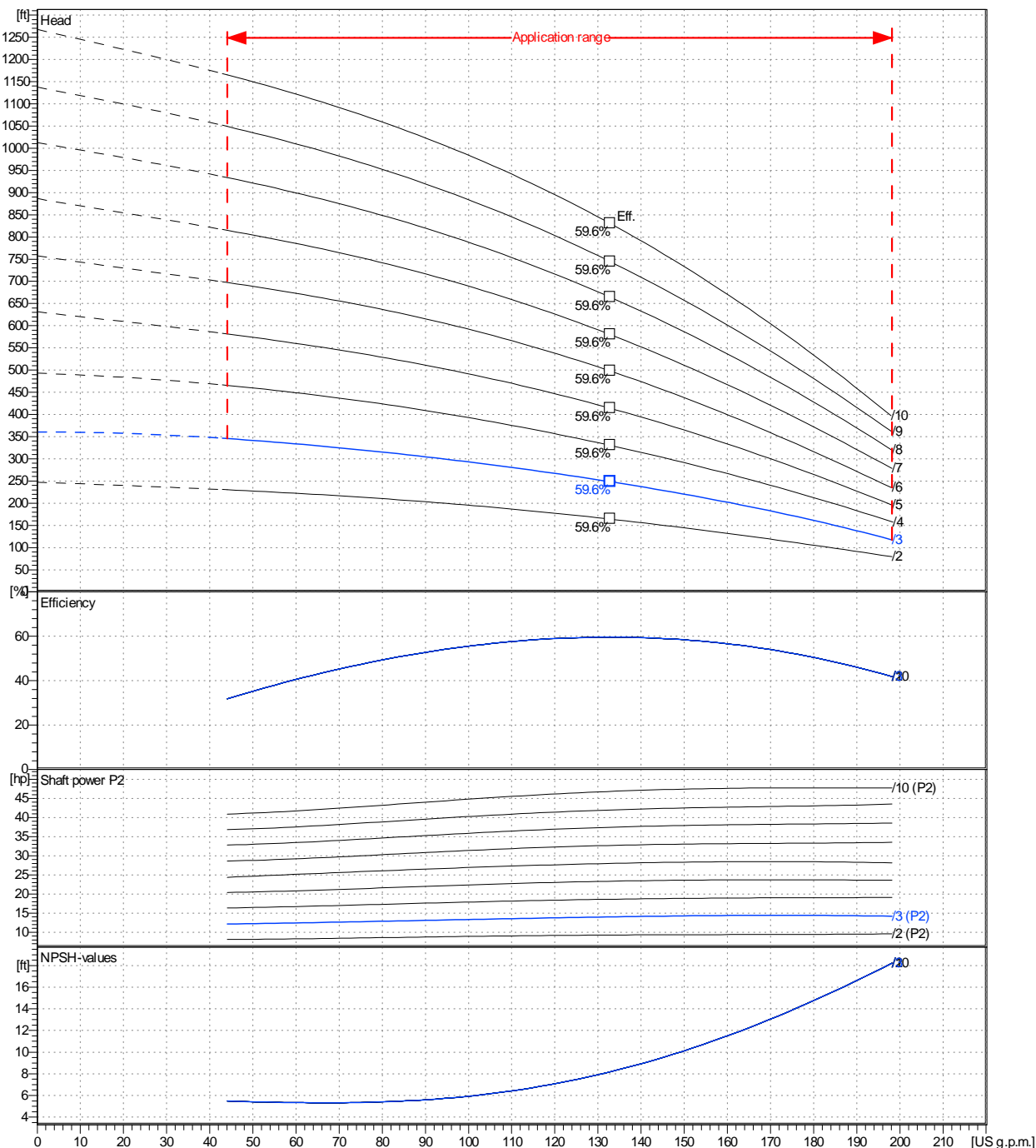
Outlet width

DN65

Flow			Head		Shaft power P2			Speed	
Min.	Max.	η Max.	H(Q=0)	η Max.	P2(Q=0)	Max.	η Max.	rpm	3500
US g.p.m.	US g.p.m.	US g.p.m.	ft	ft	hp	hp	hp	Hz	60 Hz
44	198	133	360	248		14.4	14		

Performance data based to: Water, pure [100%]; 68°F; 62.3lb/ft³; 1.08E-5ft²/s

UNI EN ISO 9906:2012 - Grade 3B



Project

Project ID

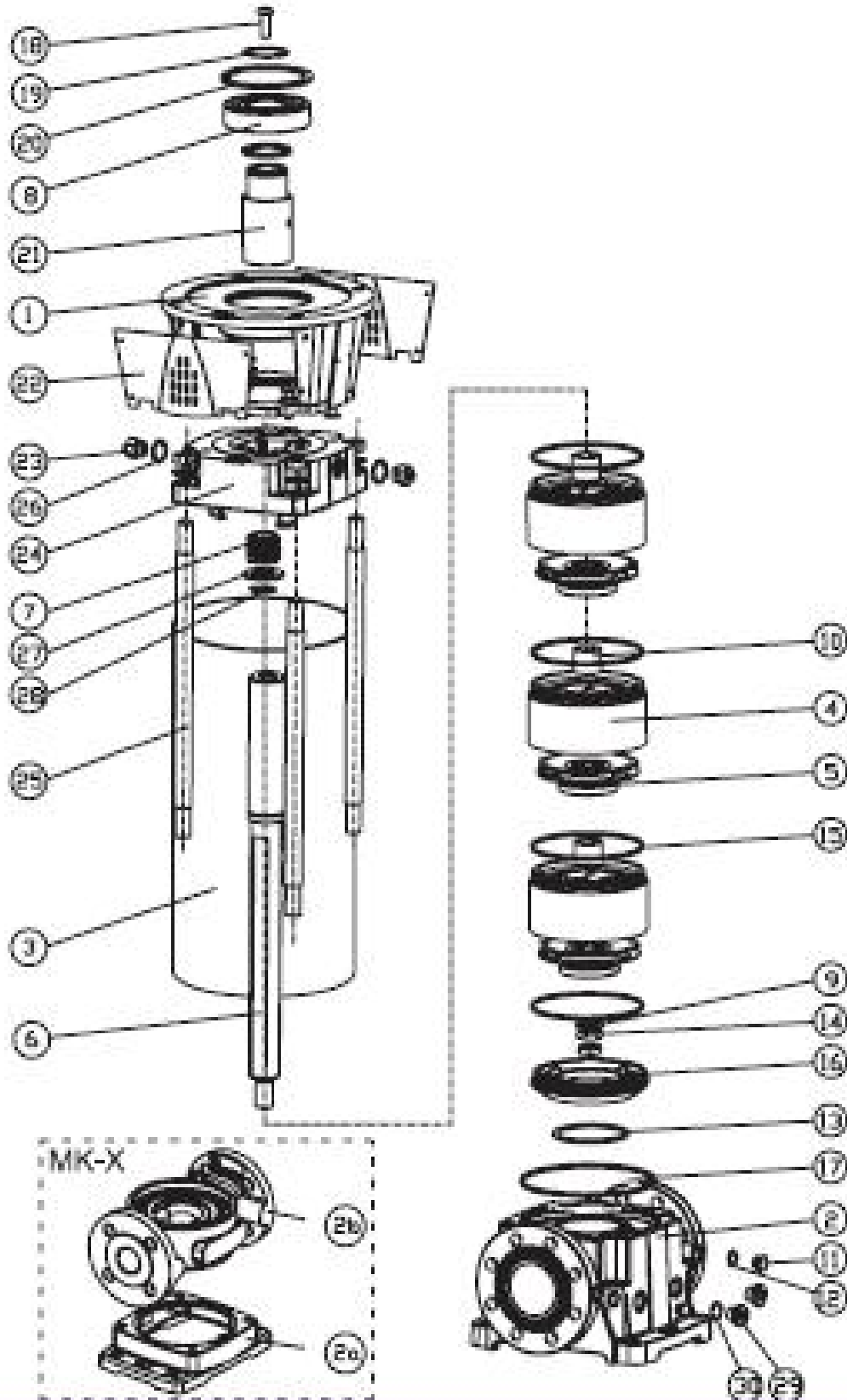
Created by

Created on

Last update

2022-08-30

Company name
Respons. Department
Person in charge
Phone number
Fax no
E-mail address



Project

Project ID

Created by

Created on
2022-08-30

Last update