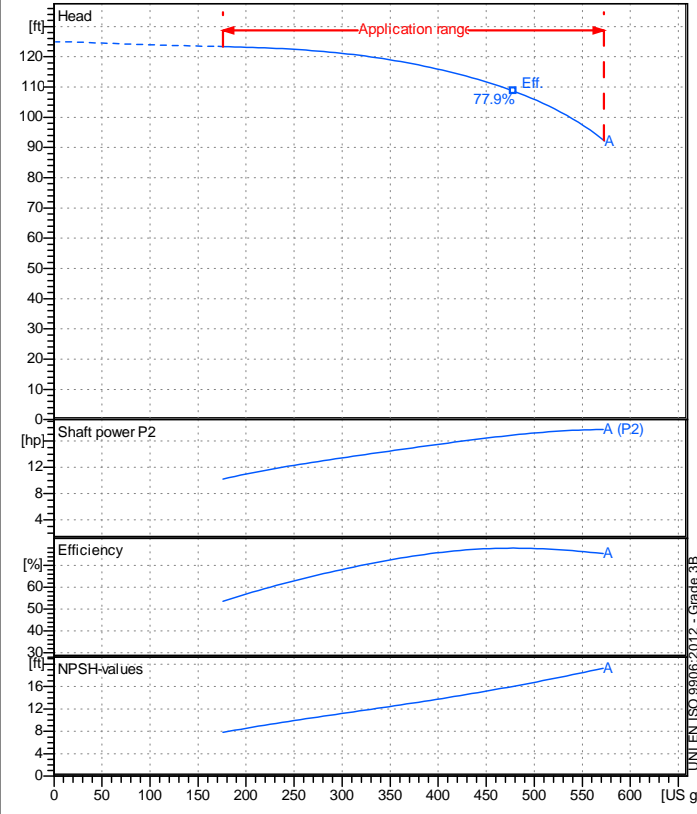


Company name
 Respons. Department
 Person in charge
 Phone number
 Fax no
 E-mail address

Receiver	From



Operating data specification

Nominal flow	US g.p.m. 0
Nominal head	ft 0
Static head	ft 0
NPSH - v value of plant	ft 0
Inlet pressure	psi 1.42
Fluid	Water, pure
Operating temperature t A	°F 68
Density at t A	lb/ft³ 62.32
Kin. viscosity at t A	ft²/s 1.082E-5

Pump		
Pump name	NCB 65-125 A	
Size	80/65/125	
Design		
Speed rpm	3600	
No of stages	1	
Impeller type		
Flow	Nominal	US g.p.m.
	Max-	US g.p.m. 573
	Min-	US g.p.m. 176
Head	Nominal	ft
	Max-	ft 123
	Min-	ft 92.2
Head H(Q=0)	ft 125	
NPSH 3%	ft	
Max. working pressure	psi 54.1	
Shaft power	hp	
Efficiency	%	
Max absorbed power	hp 17.728	

Materials Pump		
Shaft	Stainless steel AISI 431 (1.4057)	
Impeller	Cast iron EN-GJL-250	
Pump body	Cast iron EN-GJL-250	
Seal disc	Cast iron EN-GJL-250	
Gasket	Natural fiber	
Mech. seal EN 12756		
Seal face	Carbon graphite resin impreg.	
Seat	Alumina Oxide	
Rubber elements	EPDM Rubber	
Spring and metal bellows	Stainless steel AISI 316	
Motor	Frame size	
Manufacturer / Type		
Rated power	hp	Efficiency 4/4
Electric current	A	Speed rpm
Electric voltage	V	Hz
Starting mode		
Degree of protection		Insulation class

Dimensions in inch

a	3 ¹⁵ / ₁₆	n2	8 ³ / ₈
A	3/8"	s	9/16
B	3/8"	t	1 ¹ / ₁₆
b	2 ⁹ / ₁₆	u	5/16
C	1/4"	w	10 ¹ / ₄
d k6	1 ⁵ / ₁₆	x	3 ¹⁵ / ₁₆
D	3/8"		
DNA	DN 80		
DNM	DN 65		
f	14 ³ / ₁₆		
h1	6 ⁵ / ₁₆		
h2	7 ¹ / ₁₆		
l	1 ¹⁵ / ₁₆		
m1	4 ¹⁵ / ₁₆		
m2	3 ³ / ₄		
n1	11		

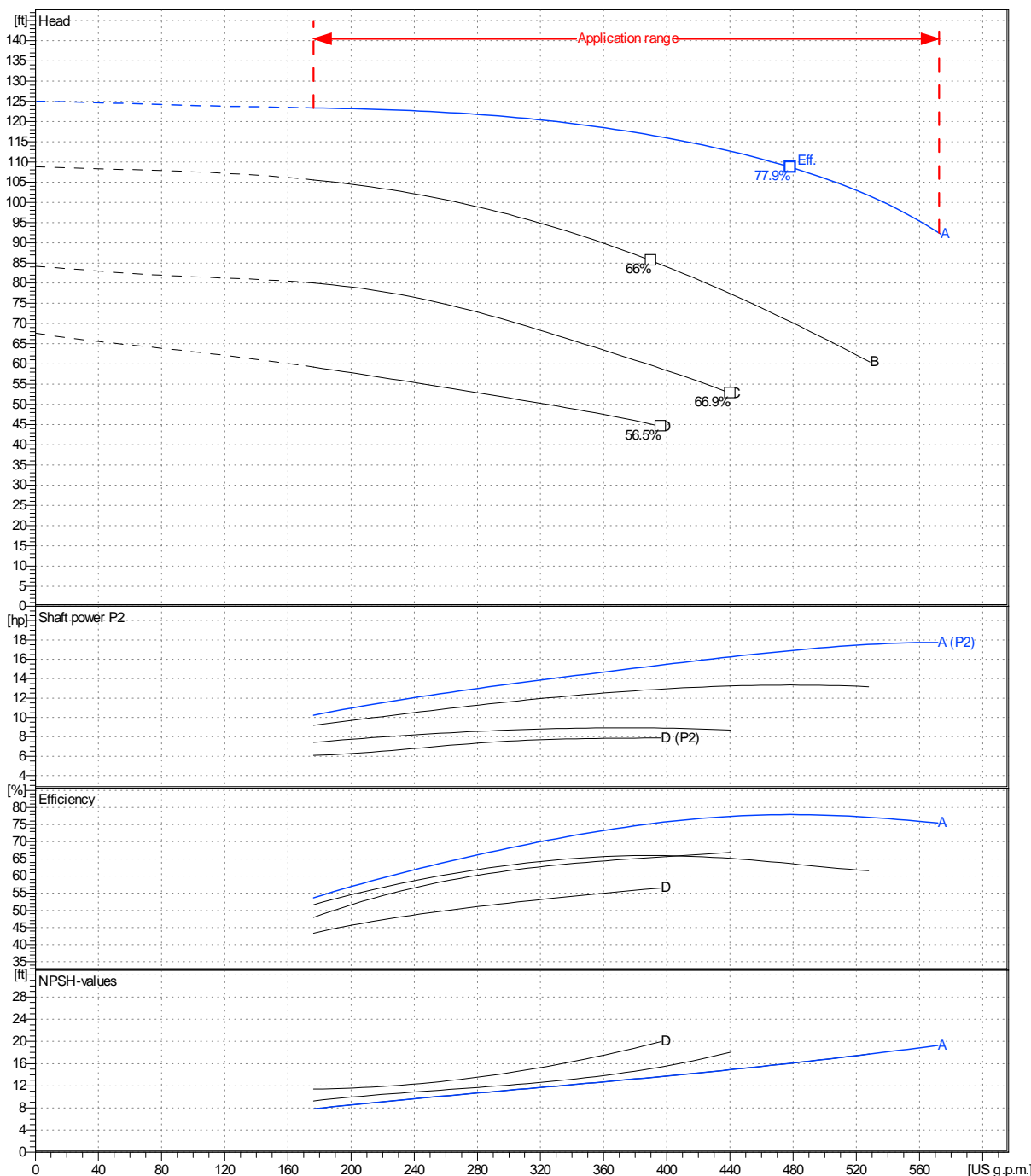
C	4 ¹⁵ / ₁₆	C	5/16
D	7 ⁵ / ₁₆	D	7/16
DN	2 ⁹ / ₁₆	DN	3/16
K	5 ¹¹ / ₁₆	K	6 ⁷ / ₁₆
n°	3/16	n°	3/16
ø n	3/4	ø n	3/4

Remarks:				
Project	Project ID	Created by	Created on	Last update
			2022-08-31	

Receiver		From	
Company name			
Respons. Department			
Person in charge			
Phone number			
Fax no			
E-mail address			
Operating area	Flow	Head	Impeller type
Operating data specification	0 US g.p.m.	0 ft	Impeller construction
			Sense of rotation
Pump data	US g.p.m.	ft	Outlet width
			DN 65
	Flow	Head	Shaft power P2
	Min. Max. η Max.	H(Q=0) η Max.	P2(Q=0) Max. η Max.
	US g.p.m. US g.p.m. US g.p.m.	ft ft	hp hp hp
	176 572 479	125 109	17.7 16.9
			Speed rpm 3600
			Frequency Hz

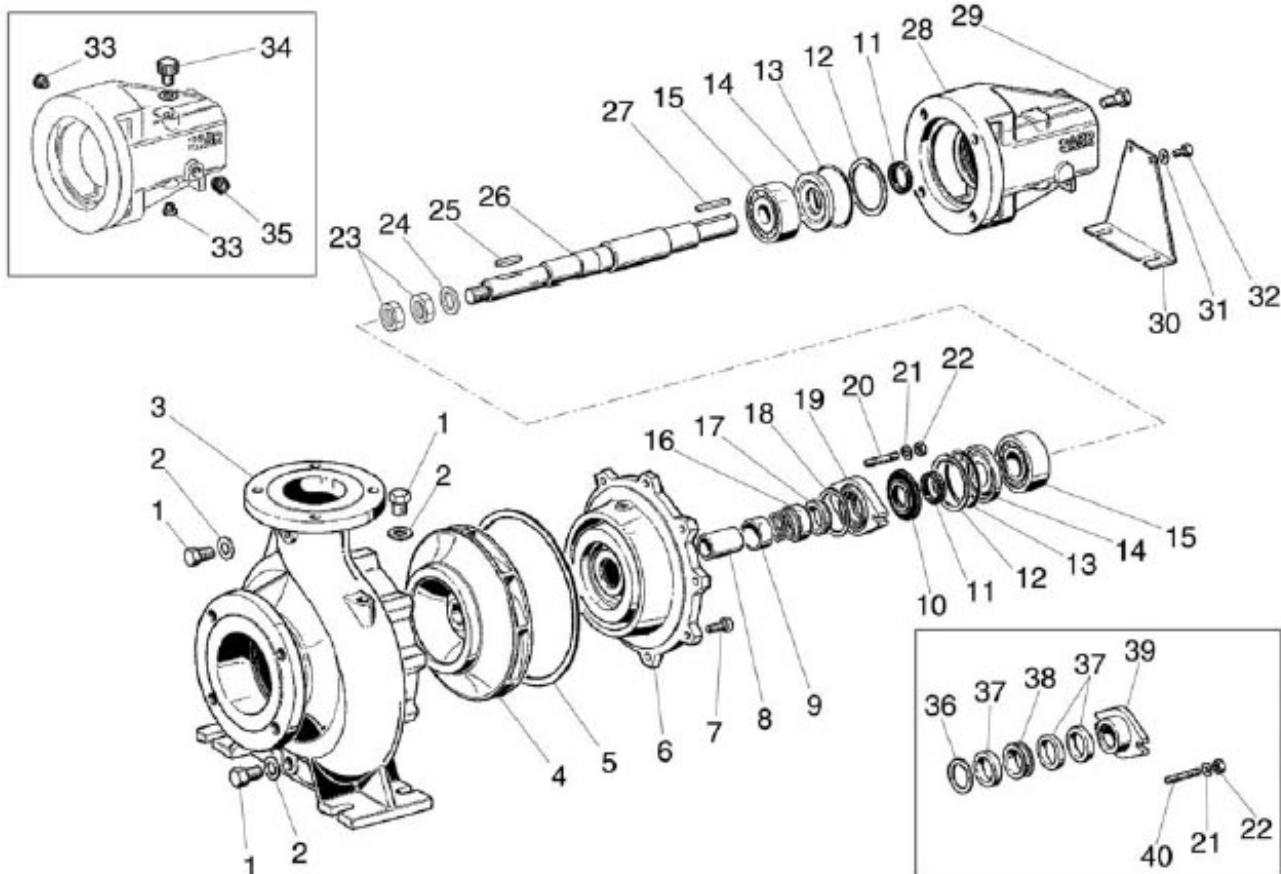
 Performance data based to: Water, pure [100%]; 68°F; 62.3lb/ft³; 1.08E-5ft²/s

UNI EN ISO 9906:2012 - Grade 3B



Project	Project ID	Created by	Created on 2022-08-31	Last update
---------	------------	------------	---------------------------------	-------------

Company name
Respons. Department
Person in charge
Phone number
Fax no
E-mail address



Project

Project ID

Created by

Created on
2022-08-31

Last update