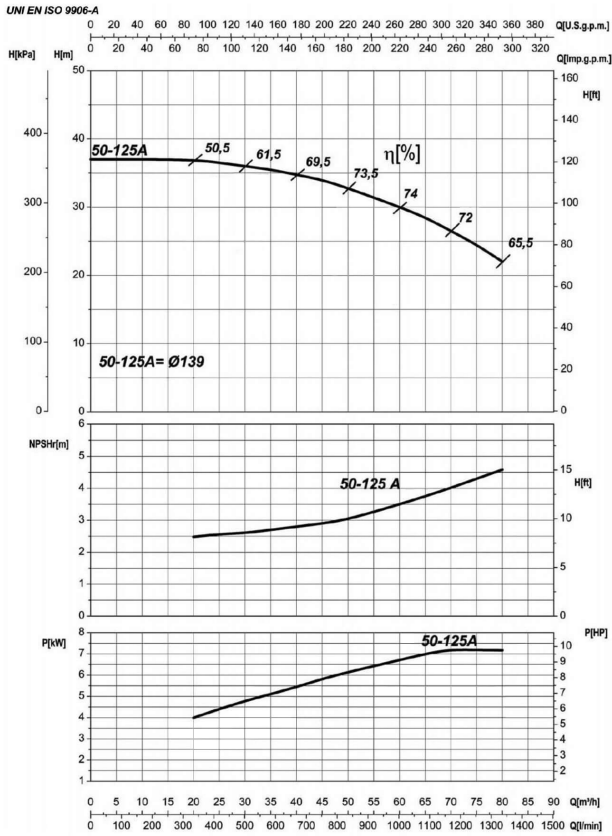


Company name  
 Respons. Department  
 Person in charge  
 Phone number  
 Fax no  
 E-mail address

| Receiver | From |
|----------|------|
|          |      |
|          |      |
|          |      |
|          |      |
|          |      |
|          |      |



### Operating data specification

|                           |                |
|---------------------------|----------------|
| Nominal flow              | US g.p.m. 0    |
| Nominal head              | ft 0           |
| Static head               | ft 0           |
| NPSH - v value of plant   | ft 0           |
| Inlet pressure            | psi 1.42       |
| Fluid                     | Water, pure    |
| Operating temperature t A | °F 68          |
| Density at t A            | lb/ft³ 62.32   |
| Kin. viscosity at t A     | ft²/s 1.082E-5 |

| Pump                  |            | 6IR50-125A   |        |
|-----------------------|------------|--------------|--------|
| Pump name             | 6IR50-125A |              |        |
| Size                  | 65/50/125  |              |        |
| Design                |            |              |        |
| Speed rpm             | 3600       | No of stages | 1      |
| Impeller type         |            |              |        |
| Flow                  | Nominal    | US g.p.m.    |        |
|                       | Max-       | US g.p.m.    | 352    |
|                       | Min-       | US g.p.m.    | 88.1   |
| Head                  | Nominal    | ft           |        |
|                       | Max-       | ft           | 120    |
|                       | Min-       | ft           | 72.5   |
| Head H(Q=0)           | ft         |              | 121    |
| NPSH 3%               | ft         |              |        |
| Max. working pressure | psi        |              | 52.5   |
| Shaft power           | hp         |              |        |
| Efficiency            | %          |              |        |
| Max absorbed power    | hp         |              | 9.6352 |

### Materials Pump

|                 |                                     |  |  |
|-----------------|-------------------------------------|--|--|
| Shaft           | Stainless steel AISI 431 (1.4057)   |  |  |
| Impeller        | Cast iron EN-GJL-250                |  |  |
| Pump body       | Cast iron EN-GJL-250                |  |  |
| Seal disc       | Cast iron EN-GJL-250                |  |  |
| Gasket          | Natural fiber                       |  |  |
| Mechanical seal | BVEG (Grafito/Ossido Allumina/EPDM) |  |  |
|                 |                                     |  |  |
|                 |                                     |  |  |
|                 |                                     |  |  |
|                 |                                     |  |  |
|                 |                                     |  |  |
|                 |                                     |  |  |
|                 |                                     |  |  |
|                 |                                     |  |  |
|                 |                                     |  |  |

|                      |            |                  |                |       |
|----------------------|------------|------------------|----------------|-------|
| <b>Motor</b>         | Frame size | 112 M            |                |       |
| Manufacturer / Type  | SAER       | MEC112M-2P-7.5   |                |       |
| Rated power          | hp         | 10.058           | Efficiency 4/4 | 87 %  |
| Electric current     | A          | 24.8 A           | Speed rpm      | 3600  |
| Electric voltage     | V          | 230V             | 3~             | Hz 60 |
| Starting mode        | Unknown    |                  |                |       |
| Degree of protection | IP 55      | Insulation class | F              |       |

### Dimensions in inch

|     |                                  |  |
|-----|----------------------------------|--|
| a   | 3 <sup>15</sup> / <sub>16</sub>  |  |
| b   | 1 <sup>15</sup> / <sub>16</sub>  |  |
| DNA | 2 <sup>9</sup> / <sub>16</sub>   |  |
| DNM | 1 <sup>15</sup> / <sub>16</sub>  |  |
| f   | 16 <sup>11</sup> / <sub>16</sub> |  |
| h1  | 5 <sup>3</sup> / <sub>16</sub>   |  |
| h2  | 6 <sup>5</sup> / <sub>16</sub>   |  |
| m1  | 3 <sup>3</sup> / <sub>16</sub>   |  |
| m2  | 2 <sup>3</sup> / <sub>4</sub>    |  |
| n1  | 9 <sup>7</sup> / <sub>16</sub>   |  |
| n2  | 7 <sup>1</sup> / <sub>2</sub>    |  |
| s   | 9 <sup>1</sup> / <sub>16</sub>   |  |
| w   | 11 <sup>7</sup> / <sub>8</sub>   |  |

|     |                                 |     |                                 |
|-----|---------------------------------|-----|---------------------------------|
| C   | 4                               | C   | 4 <sup>13</sup> / <sub>16</sub> |
| D   | 6 <sup>1</sup> / <sub>2</sub>   | D   | 7 <sup>5</sup> / <sub>16</sub>  |
| DN  | 1 <sup>15</sup> / <sub>16</sub> | DN  | 2 <sup>9</sup> / <sub>16</sub>  |
| K   | 4 <sup>15</sup> / <sub>16</sub> | K   | 5 <sup>1</sup> / <sub>16</sub>  |
| n°  | 3 <sup>3</sup> / <sub>16</sub>  | n°  | 3 <sup>3</sup> / <sub>16</sub>  |
| ø n | 3 <sup>3</sup> / <sub>4</sub>   | ø n | 3 <sup>3</sup> / <sub>4</sub>   |

|          |            |            |            |             |
|----------|------------|------------|------------|-------------|
| Remarks: |            |            |            |             |
| Project  | Project ID | Created by | Created on | Last update |
|          |            |            | 2022-08-01 |             |

Receiver

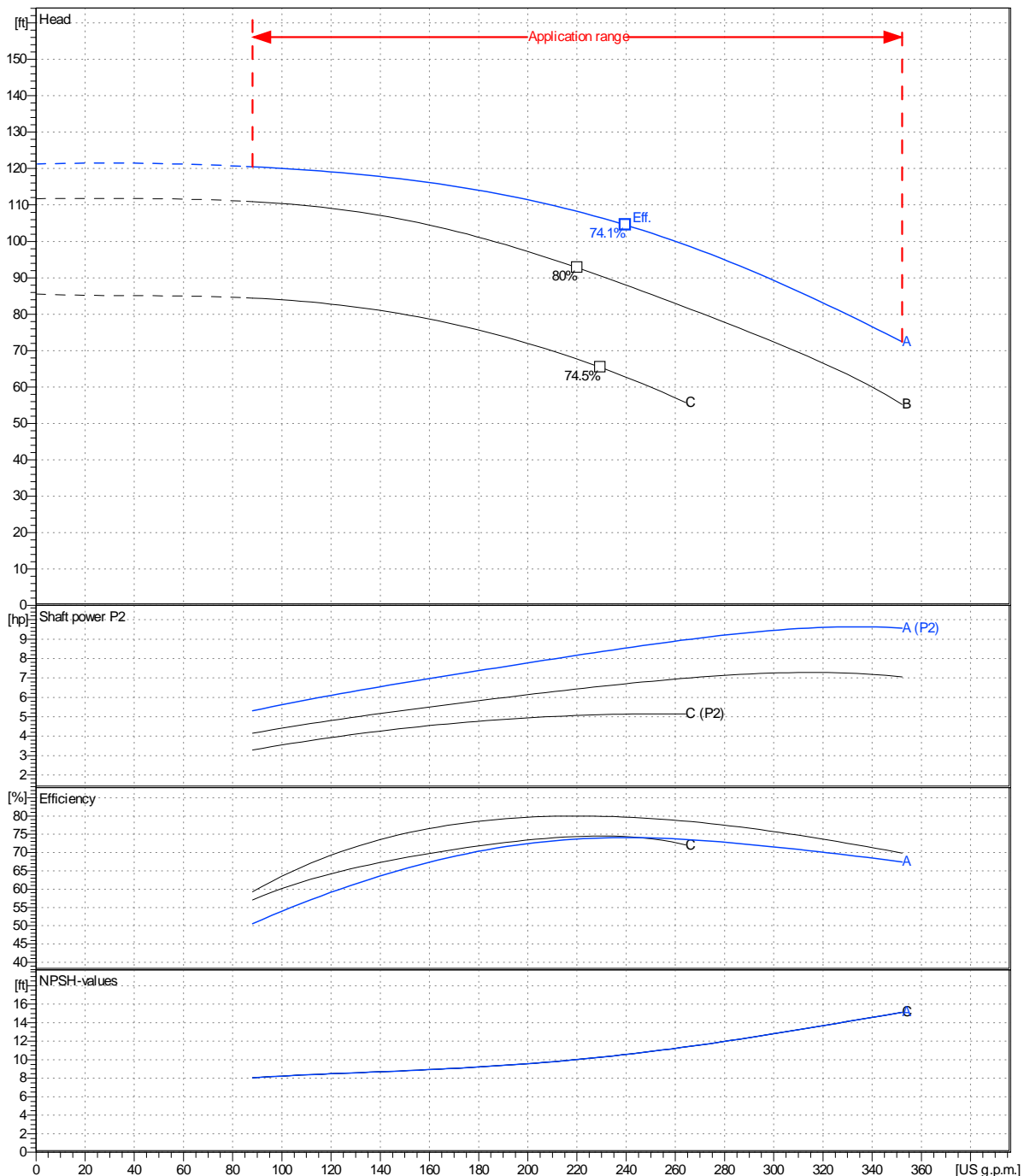
From

 Company name  
 Respons. Department  
 Person in charge  
 Phone number  
 Fax no  
 E-mail address

|                              |                               |                    |   |
|------------------------------|-------------------------------|--------------------|---|
| Operating area               | Flow                          | Head               | Impeller type                                     |
| Operating data specification | 0 US g.p.m.                   | 0 ft               | Impeller construction<br>Closed                   |
| Pump data                    | US g.p.m.                     | ft                 | Sense of rotation<br>Clockwise from the drive end |
|                              |                               |                    | Outlet width<br>DN 50                             |
|                              | Flow                          | Head               | Shaft power P2                                    |
|                              | Min. Max. $\eta$ Max.         | H(Q=0) $\eta$ Max. | P2(Q=0) Max. $\eta$ Max.                          |
|                              | US g.p.m. US g.p.m. US g.p.m. | ft ft              | hp hp hp  |
|                              | 88.1 352 240                  | 121 105            | 9.64 8.54   |
|                              |                               |                    | Speed rpm 3600                                    |
|                              |                               |                    | Frequency Hz 60 Hz                                |

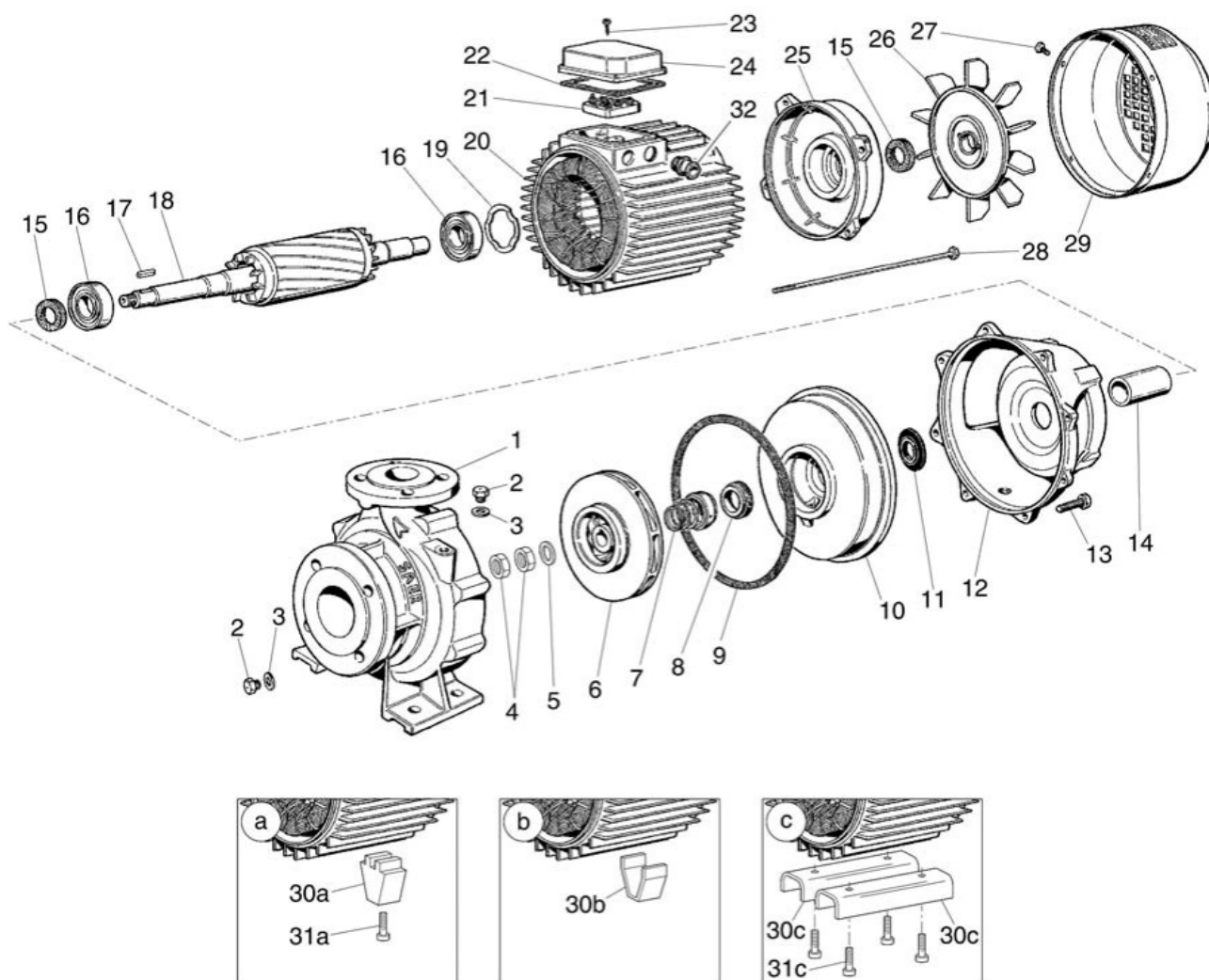
 Performance data based to: Water, pure [100%]; 68°F; 62.3lb/ft<sup>3</sup>; 1.08E-5ft<sup>2</sup>/s

UNI EN ISO 9906:2012 - Grade 3B



|         |            |            |                                 |             |
|---------|------------|------------|---------------------------------|-------------|
| Project | Project ID | Created by | Created on<br><b>2022-08-01</b> | Last update |
|---------|------------|------------|---------------------------------|-------------|

Company name  
Respons. Department  
Person in charge  
Phone number  
Fax no  
E-mail address



Project

Project ID

Created by

Created on  
**2022-08-01**

Last update