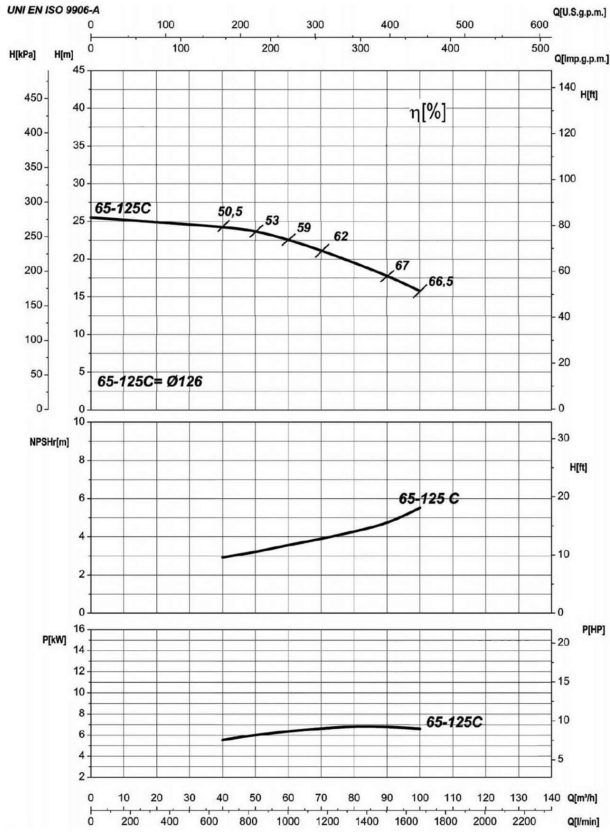


Company name
 Respons. Department
 Person in charge
 Phone number
 Fax no
 E-mail address

Receiver	From



Operating data specification

Nominal flow	US g.p.m. 0
Nominal head	ft 0
Static head	ft 0
NPSH - v value of plant	ft 0
Inlet pressure	psi 1.42
Fluid	Water, pure
Operating temperature t A	°F 68
Density at t A	lb/ft³ 62.32
Kin. viscosity at t A	ft²/s 1.082E-5

Pump		6IR65-125C	
Pump name	6IR65-125C		
Size	80/65/125		
Design			
Speed rpm	3600	No of stages	1
Impeller type			
Flow	Nominal	US g.p.m.	
	Max-	US g.p.m. 440	
	Min-	US g.p.m. 176	
Head	Nominal	ft	
	Max-	ft 80	
	Min-	ft 52.7	
Head H(Q=0)	ft 84.2		
NPSH 3%	ft		
Max. working pressure	psi 36.4		
Shaft power	hp		
Efficiency	%		
Max absorbed power	hp 8.9261		

Materials Pump

Shaft	Stainless steel AISI 431 (1.4057)		
Impeller	Cast iron EN-GJL-250		
Pump body	Cast iron EN-GJL-250		
Seal disc	Cast iron EN-GJL-250		
Gasket	Natural fiber		
Mechanical seal	BVEG (Grafito/Ossido Allumina/EPDM)		

Dimensions in inch

a	3 ¹⁵ / ₁₆
b	2 ⁹ / ₁₆
DNA	3 ⁷ / ₈
DNM	2 ⁹ / ₁₆
f	16 ¹¹ / ₁₆
h1	6 ⁵ / ₁₆
h2	7 ¹ / ₁₆
m1	4 ¹⁵ / ₁₆
m2	3 ³ / ₄
n1	11
n2	8 ³ / ₈
s	9 ¹ / ₁₆
w	11 ⁷ / ₈

Motor		Frame size	112 M	
Manufacturer / Type		SAER	MEC112M-2P-7.5	
Rated power	hp	10.058	Efficiency 4/4	87 %
Electric current	A	24.8 A	Speed	rpm 3600
Electric voltage	V	230V	3~	Hz 60
Starting mode	Unknown			
Degree of protection	IP 55		Insulation class	F

Remarks:				
Project	Project ID	Created by	Created on	Last update
			2022-08-01	

Receiver

From

 Company name
 Respons. Department
 Person in charge
 Phone number
 Fax no
 E-mail address

Operating area

Flow

Head

Impeller type

Operating data specification

0 US g.p.m.

0 ft

Impeller construction

Closed

Pump data

US g.p.m.

ft

Sense of rotation

Clockwise from the drive end

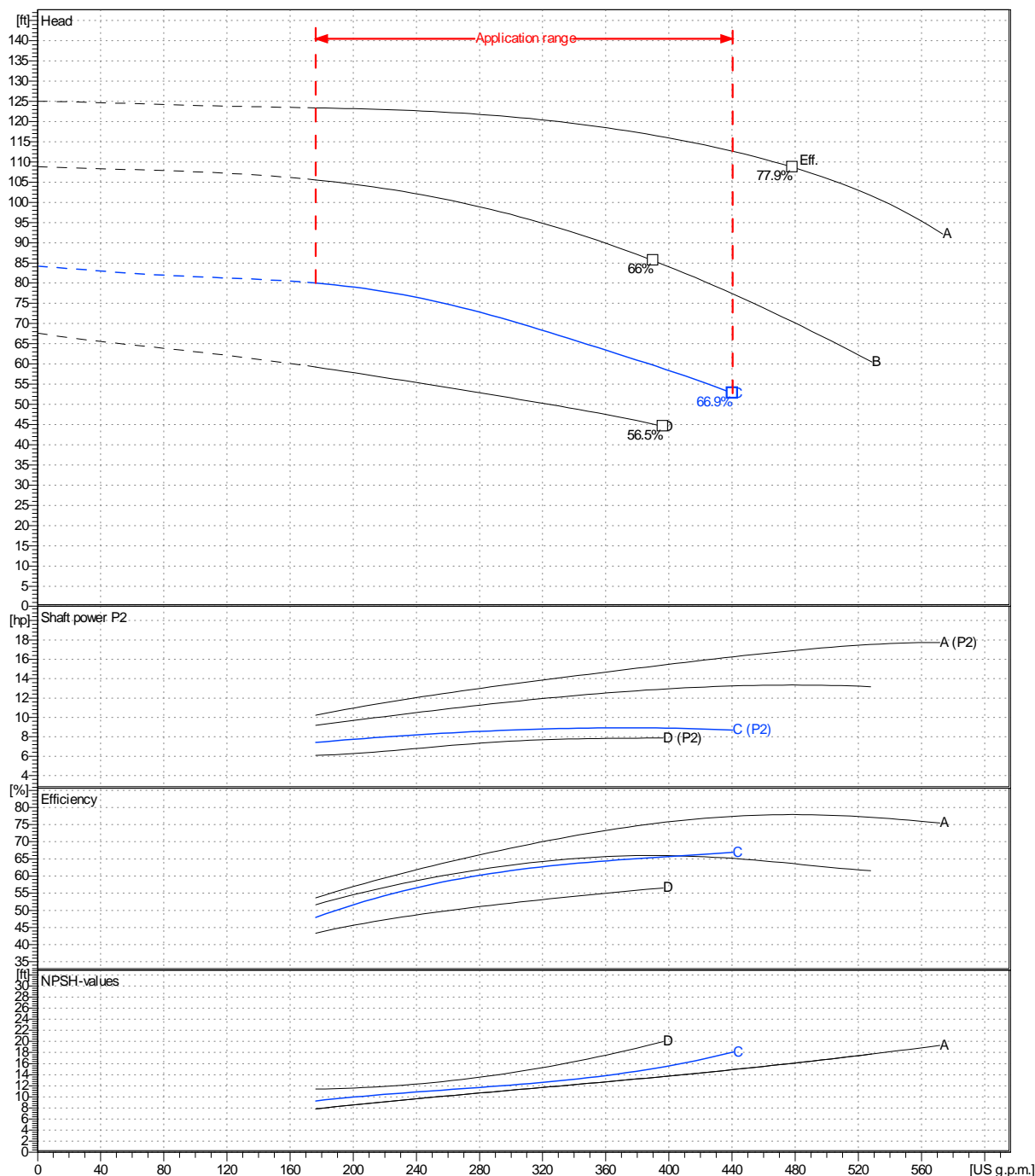
Outlet width

DN 65

Flow			Head		Shaft power P2			Speed	rpm	3600
Min.	Max.	η Max.	H(Q=0)	η Max.	P2(Q=0)	Max.	η Max.	Frequency	Hz	60 Hz
US g.p.m.	US g.p.m.	US g.p.m.	ft	ft	hp	hp	hp			
176	440	440	84.2	52.7		8.93	8.7			

 Performance data based to: Water, pure [100%]; 68°F; 62.3lb/ft³; 1.08E-5ft²/s

UNI EN ISO 9906:2012 - Grade 3B



Project

Project ID

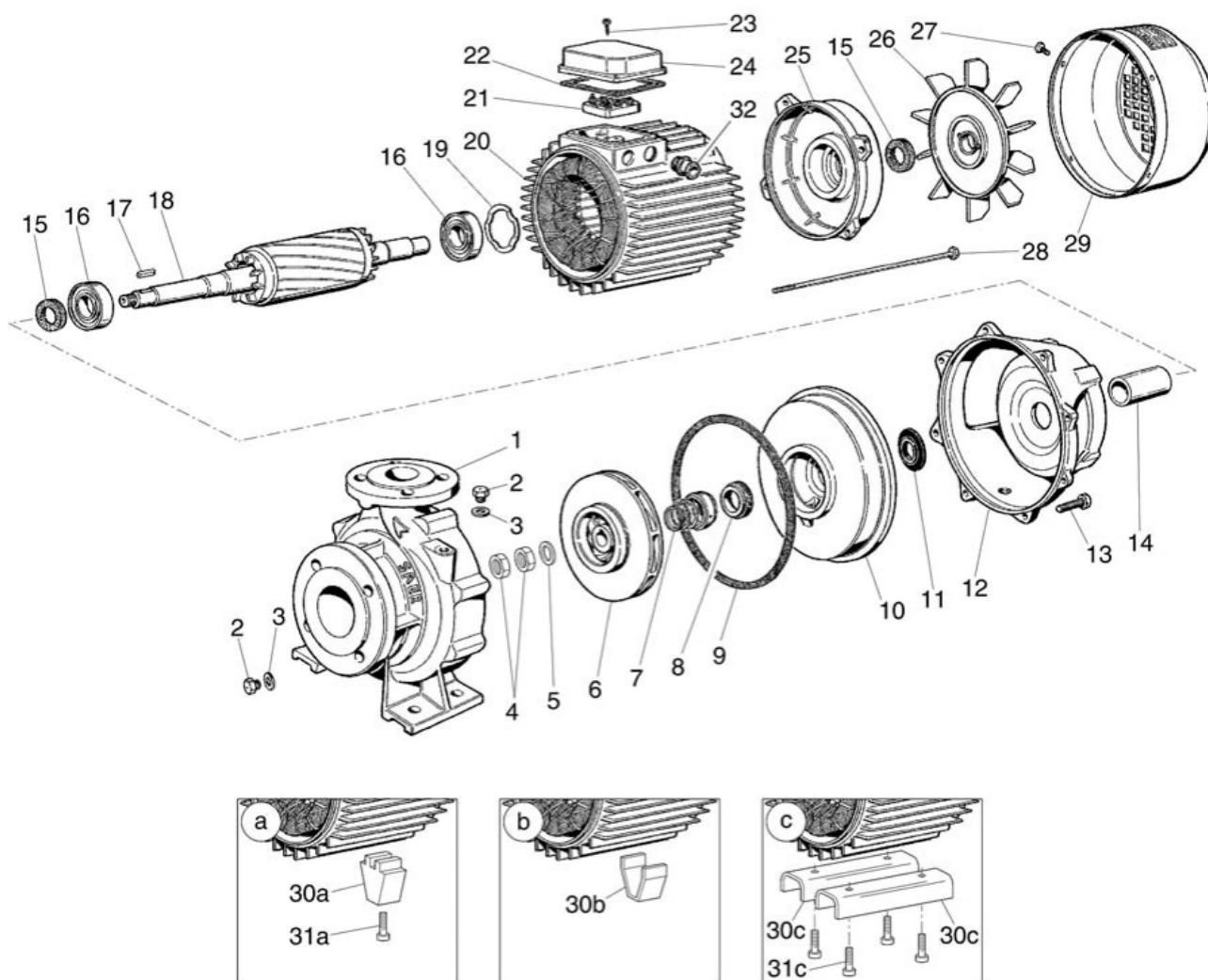
Created by

Created on

Last update

2022-08-01

Company name
Respons. Department
Person in charge
Phone number
Fax no
E-mail address



Project

Project ID

Created by

Created on
2022-08-01

Last update