



# Technical Data

## Multi-Stage Horizontal Pump - CB 2-50

Revision no.

Page:  
 1

	Receiver	From
Company name		
Respons. Department		
Person in charge		
Phone number		
Fax no		
E-mail address		



**Brand: Gol Pumps**

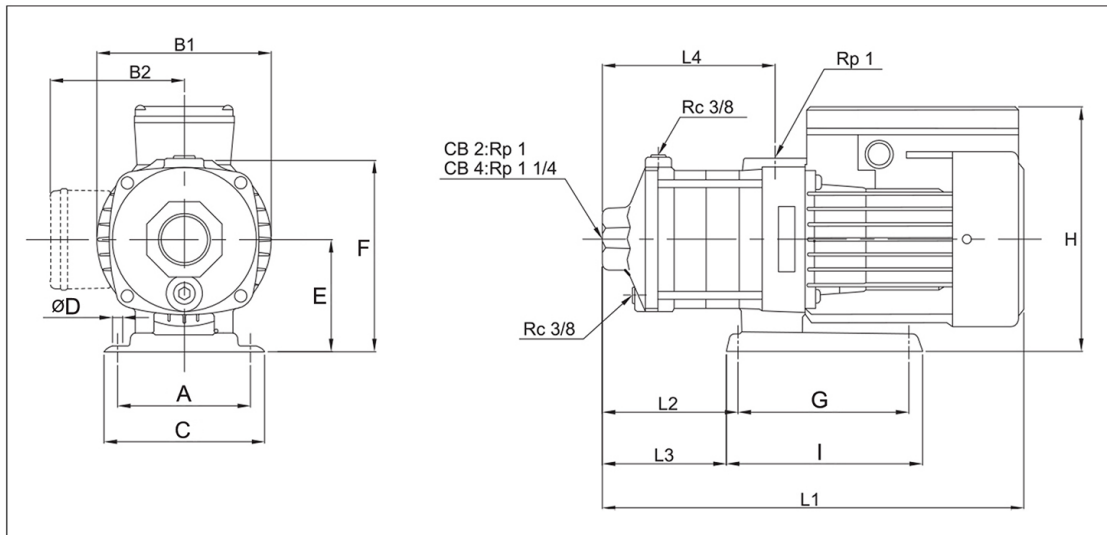
**Model: CB 2-50**

**Material: Cast Iron**

Enclosure class	IP54
Insulation class	F
Liquid temp. range	32 °F ~ +194 °F
Max. ambient temp.	+104 °F
Max. operating pressure	142 PSI
<b>Max. inlet pressure is limited by Max. operating pressure</b>	
Mechanical seal	CQBE

The Max. operating pressure depends on the temp. of the pumped liquid	
<b>142 PSI</b>	<b>85 PSI</b>
32 °F to +104 °F	+106 °F to +194 °F

**Dimensions:**



Inlet	Outlet
1"	1"

Pump Installation Size (inch)														Weight
A	B1	B2	C	ØD	E	F	G	H	I	L1	L2	L3	L4	lb
4.3	5.6	5	5.1	0.3	3.6	6.1	5.4	9	6.3	15.9	5.1	4.6	6.1	28.6

Project	Project ID	Created by	Created on	Last update
---------	------------	------------	------------	-------------



# Performance Curves

## Multi-Stage Horizontal Pump - CB 2-50

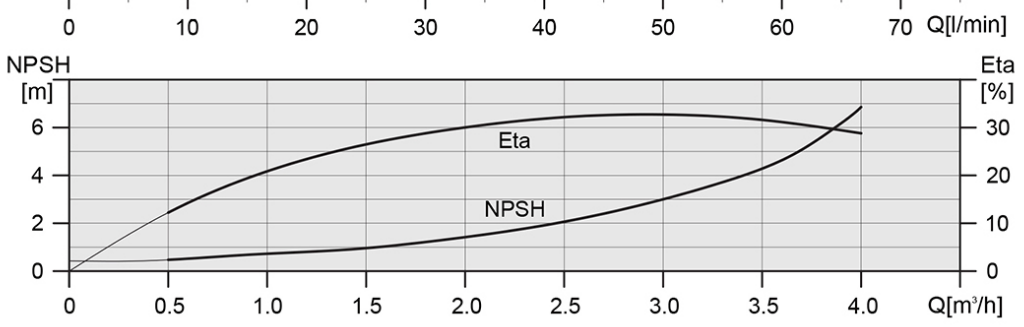
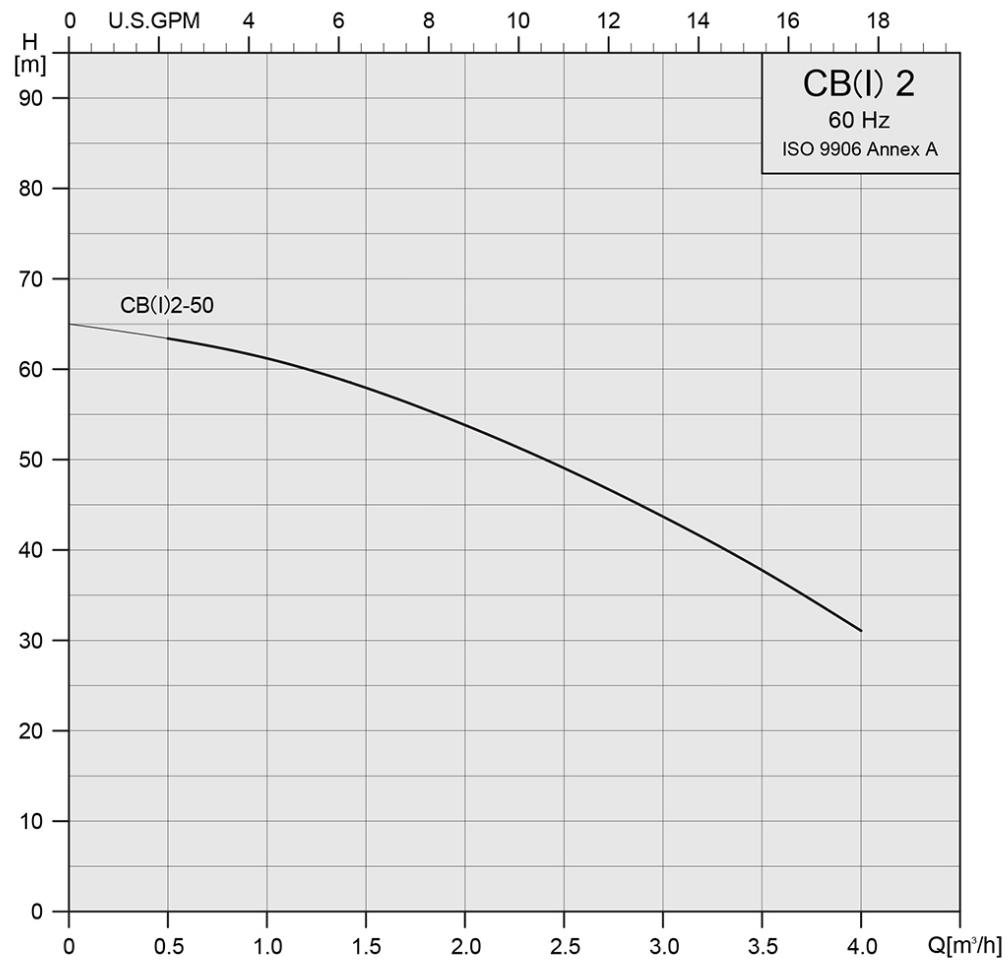
Revision no. \_\_\_\_\_

Page: 2

Receiver	From

Company name \_\_\_\_\_  
 Respons. Department \_\_\_\_\_  
 Person in charge \_\_\_\_\_  
 Phone number \_\_\_\_\_  
 Fax no \_\_\_\_\_  
 E-mail address \_\_\_\_\_

Model	Capacity			Head		Speed	Motor	Voltage	Phase	Amps	Eff.	(NPSH)r
	m <sup>3</sup> /h	l/m	gpm	m	ft	r/min	hp	v			%	ft
CB 2-50	4	67	17.7	65	213	3450	1.3	110/220	1	11.7/5.9	35	23



Project	Project ID	Created by	Created on	Last update
---------	------------	------------	------------	-------------