



Technical Data

Multi-Stage Horizontal Pump - CBI 4-30

Revision no.

Page:
 1

| | Receiver | From |
|---------------------|----------|------|
| Company name | | |
| Respons. Department | | |
| Person in charge | | |
| Phone number | | |
| Fax no | | |
| E-mail address | | |

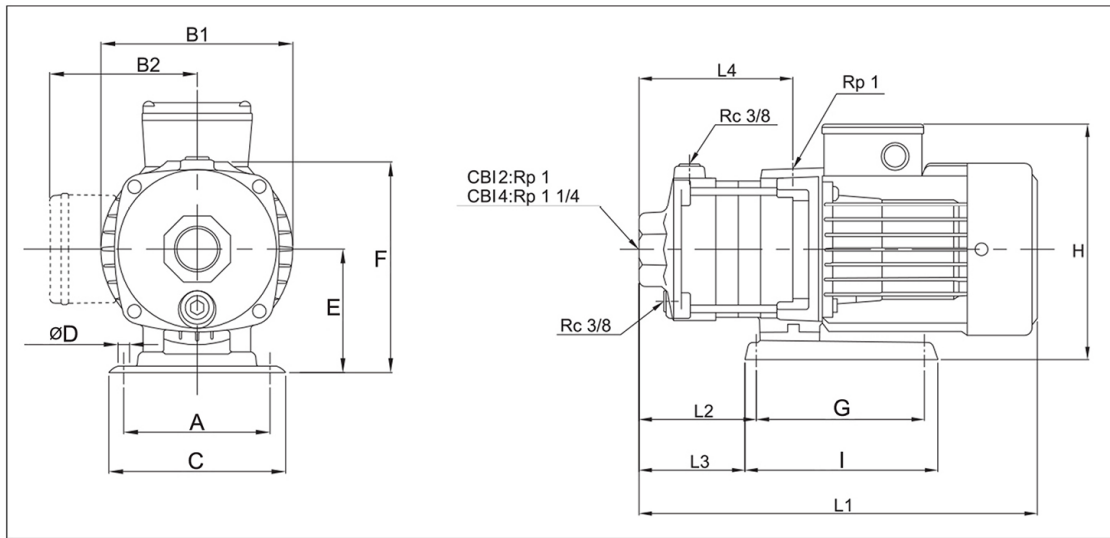


Brand: Gol Pumps
Model: CBI 4-30
Material: Stainless Steel

| | |
|--|-----------------|
| Enclosure class | IP54 |
| Insulation class | F |
| Liquid temp. range | 32 °F ~ +194 °F |
| Max. ambient temp. | +104 °F |
| Max. operating pressure | 142 PSI |
| Max. inlet pressure is limited by Max. operating pressure | |
| Mechanical seal | CQBE |

| The Max. operating pressure depends on the temp. of the pumped liquid | |
|---|--------------------|
| 142 PSI | 85 PSI |
| 32 °F to +104 °F | +106 °F to +194 °F |

Dimensions:



| Inlet | Outlet |
|--------|--------|
| 1 1/4" | 1" |

| Pump Installation Size (inch) | | | | | | | | | | | | | | Weight |
|-------------------------------|-----|----|-----|-----|-----|-----|-----|---|-----|------|-----|-----|-----|--------|
| A | B1 | B2 | C | ØD | E | F | G | H | I | L1 | L2 | L3 | L4 | lb |
| 4.3 | 5.6 | 5 | 5.1 | 0.3 | 3.6 | 6.1 | 5.4 | 9 | 6.3 | 15.1 | 4.4 | 3.9 | 5.4 | 25.3 |

| | | | | |
|---------|------------|------------|------------|-------------|
| Project | Project ID | Created by | Created on | Last update |
|---------|------------|------------|------------|-------------|



Performance Curves

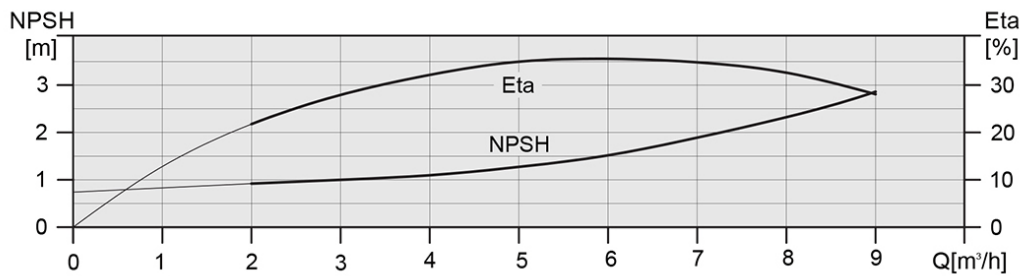
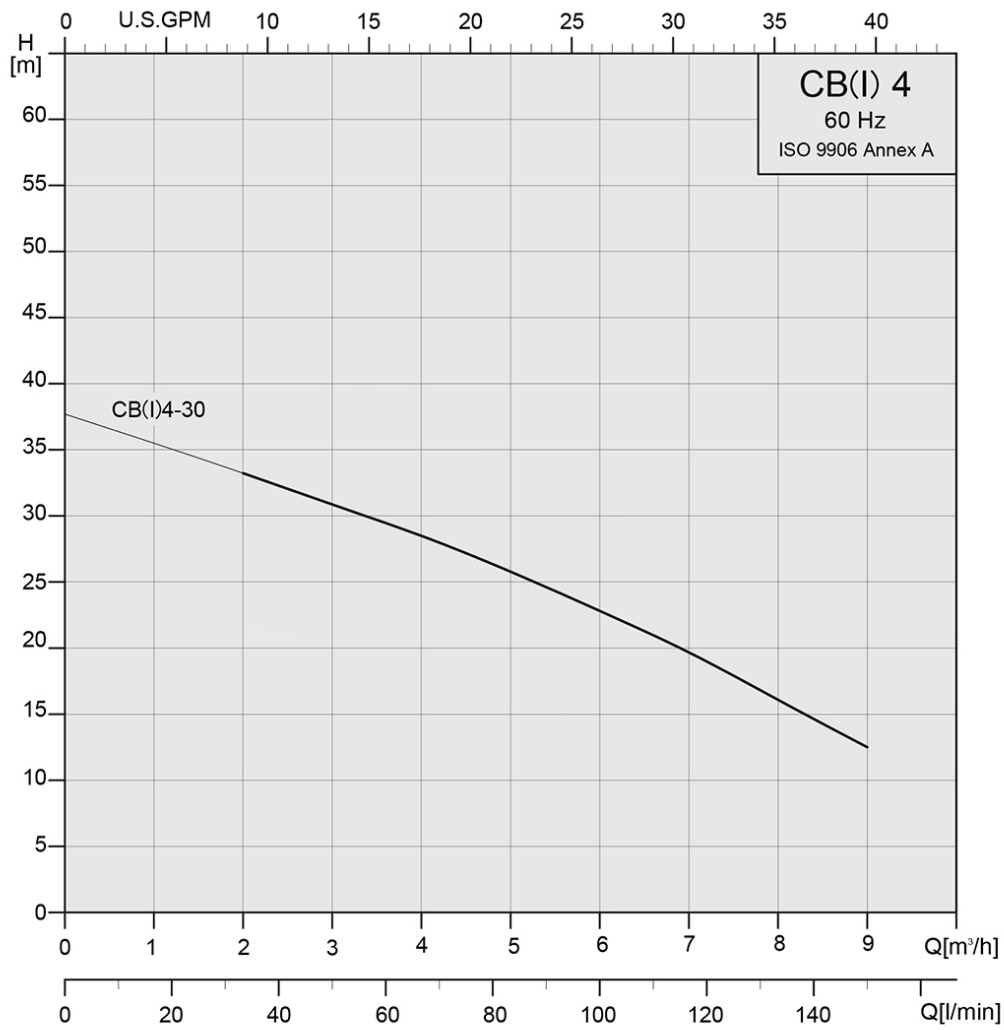
Multi-Stage Horizontal Pump - CBI 4-30

Revision no. Page: 2

Receiver From

Company name
 Respons. Department
 Person in charge
 Phone number
 Fax no
 E-mail address

| Model | Capacity | | | Head | | Speed | Motor | Voltage | Phase | Amps | Eff. | (NPSH)r |
|-----------------|-------------------|-----|-----|------|-----|-------|-------|---------|-------|----------|------|---------|
| | m ³ /h | l/m | gpm | m | ft | r/min | hp | v | | % | ft | |
| CBI 4-30 | 9 | 150 | 40 | 37 | 121 | 3450 | 1.5 | 110/220 | 1 | 12.5/6.2 | 28 | 9.5 |



| | | | | |
|---------|------------|------------|------------|-------------|
| Project | Project ID | Created by | Created on | Last update |
|---------|------------|------------|------------|-------------|