



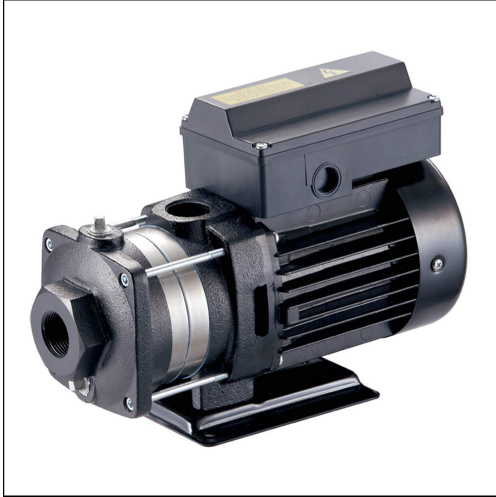
Technical Data

Multi-Stage Horizontal Pump - CBT 12-20

Revision no.

Page:
 1

	Receiver	From
Company name		
Respons. Department		
Person in charge		
Phone number		
Fax no		
E-mail address		



Brand: Gol Pumps

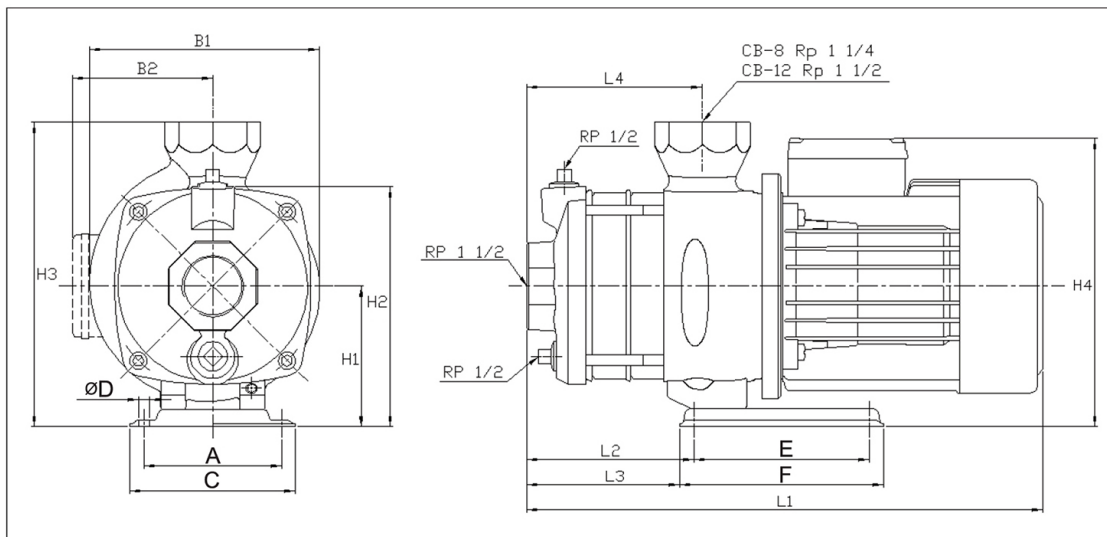
Model: CBT 12-20

Material: Cast Iron

Enclosure class	IP54
Insulation class	F
Liquid temp. range	32 °F ~ +194 °F
Max. ambient temp.	+104 °F
Max. operating pressure	142 PSI
Max. inlet pressure is limited by Max. operating pressure	
Mechanical seal	CQBE

The Max. operating pressure depends on the temp. of the pumped liquid	
142 PSI	85 PSI
32 °F to +131 °F	+133 °F to +194 °F

Dimensions:



Inlet	Outlet
1 1/2"	1 1/2"

Pump Installation Size (inch)															Weight
A	B1	B2	C	ØD	H1	H2	H3	E	F	L1	L2	L3	L4	H4	lb
4.3	7.1	4.5	5.1	0.3	4.3	7.4	9.4	5.4	6.3	14.2	2.1	1.6	3	8.8	42

Project	Project ID	Created by	Created on	Last update
---------	------------	------------	------------	-------------



Performance Curves

Multi-Stage Horizontal Pump - CBT 12-20

Revision no. _____

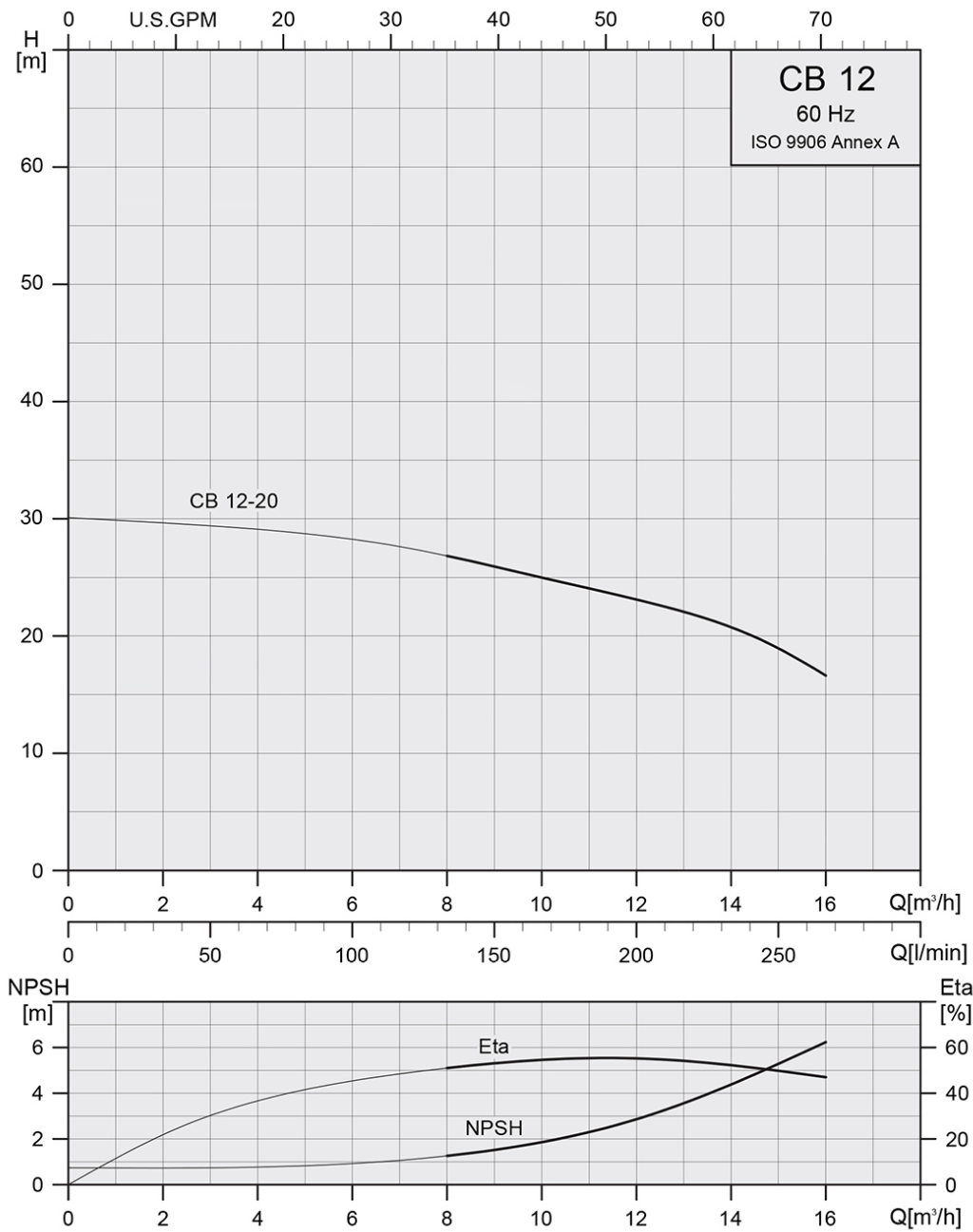
Page: 2

Receiver _____

From _____

Company name _____
 Respons. Department _____
 Person in charge _____
 Phone number _____
 Fax no _____
 E-mail address _____

Model	Capacity			Head		Speed	Motor	Voltage	Phase	Amps	Eff.	(NPSH)r
	m ³ /h	l/m	gpm	m	ft	r/min	hp	v			%	ft
CBT 12-20	16	268	70	30	98	3450	2.1	220/460	3	6.0/3.4	63	20.7



Project _____	Project ID _____	Created by _____	Created on _____	Last update _____
---------------	------------------	------------------	------------------	-------------------