



# Technical Data

## Multi-Stage Horizontal Pump - HBI 12-10

Revision no.

Page:  
 1

	Receiver	From
Company name		
Respons. Department		
Person in charge		
Phone number		
Fax no		
E-mail address		

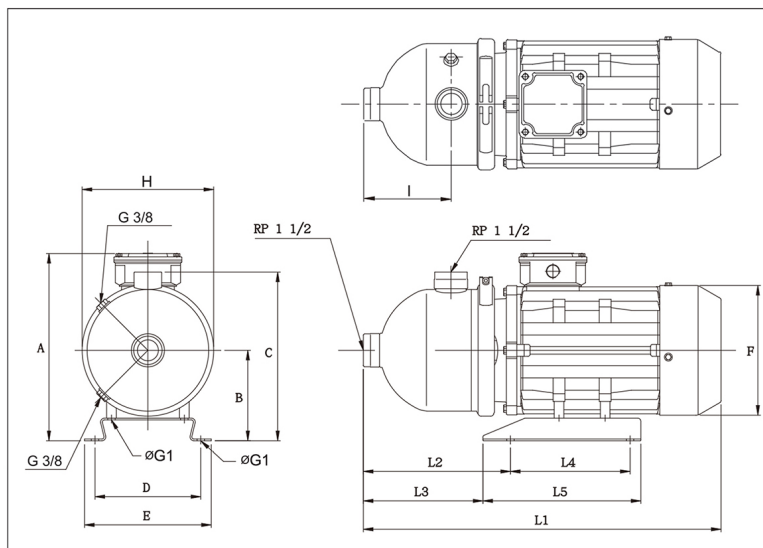


**Brand: Gol Pumps**  
**Model: HBI 12-10**  
**Material: Stainless Steel**

Enclosure class	IP54
Insulation class	F
Liquid temp. range	32 °F ~ +230 °F
Max. ambient temp.	+104 °F
Max. operating pressure	142 PSI
<b>Max. inlet pressure is limited by Max. operating pressure</b>	
Mechanical seal	RQBE

The Max. operating pressure depends on the temp. of the pumped liquid	
<b>142 PSI</b>	<b>85 PSI</b>
32 °F to +131 °F	+133 °F to +194 °F

**Dimensions:**



Inlet	Outlet
1 1/2"	1 1/2"

Pump Installation Size (inch)															Weight
A	B	C	D	E	ØG1	H	I	L1	L2	L3	L4	L5	F	lb	
10.5	4.8	9.6	6.2	7	0.4	8	5.6	20.2	7.9	7.1	7.7	9.3	7	45.4	

Project	Project ID	Created by	Created on	Last update
---------	------------	------------	------------	-------------



# Performance Curves

## Multi-Stage Horizontal Pump - HBI 12-10

Revision no.

Page:  
 2

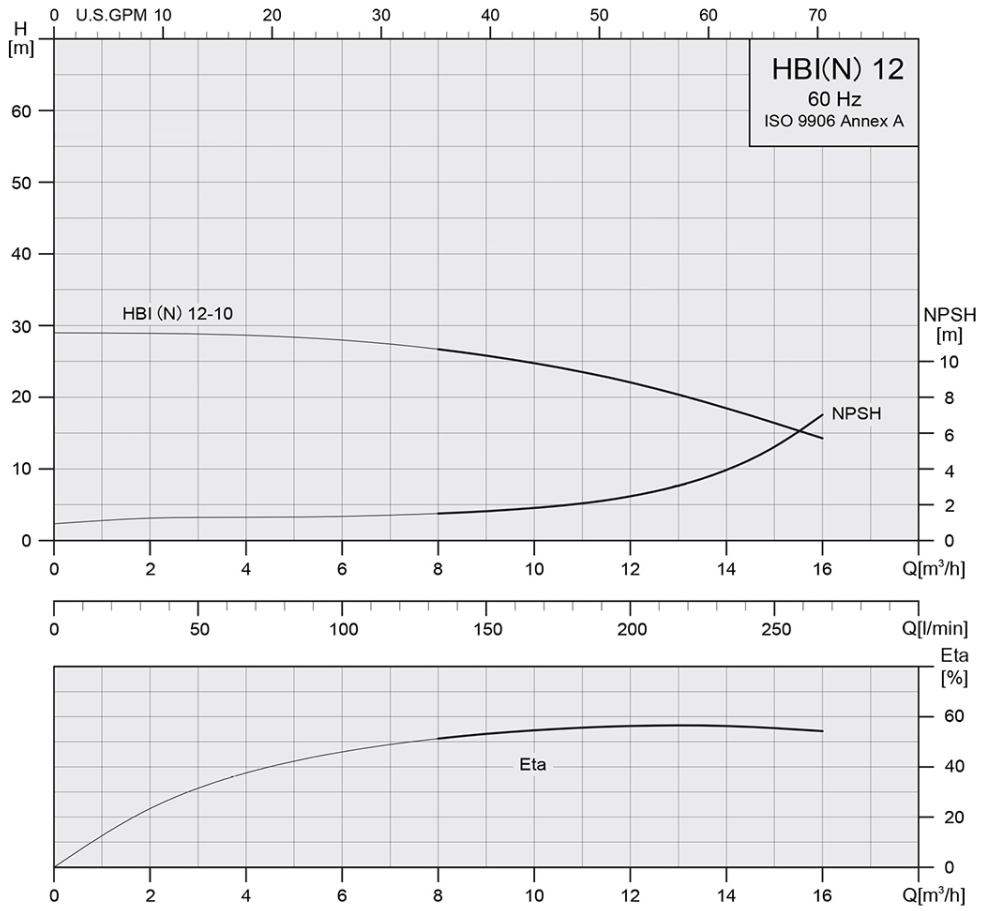
Receiver

From

Company name  
 Respons. Department  
 Person in charge  
 Phone number  
 Fax no  
 E-mail address



Model	Capacity			Head		Speed	Motor	Voltage	Phase	Amps	Eff.	(NPSH)r
	m <sup>3</sup> /h	l/m	gpm	m	ft	r/min	hp	v			%	ft
<b>HBI 12-10</b>	16	265	71	29	95	3450	2.4	220	1	9.7	58	23



Project	Project ID	Created by	Created on	Last update
---------	------------	------------	------------	-------------



**Parts and Materials**  
**Multi-Stage Horizontal Pump - HBI 12-10**

Revision no.

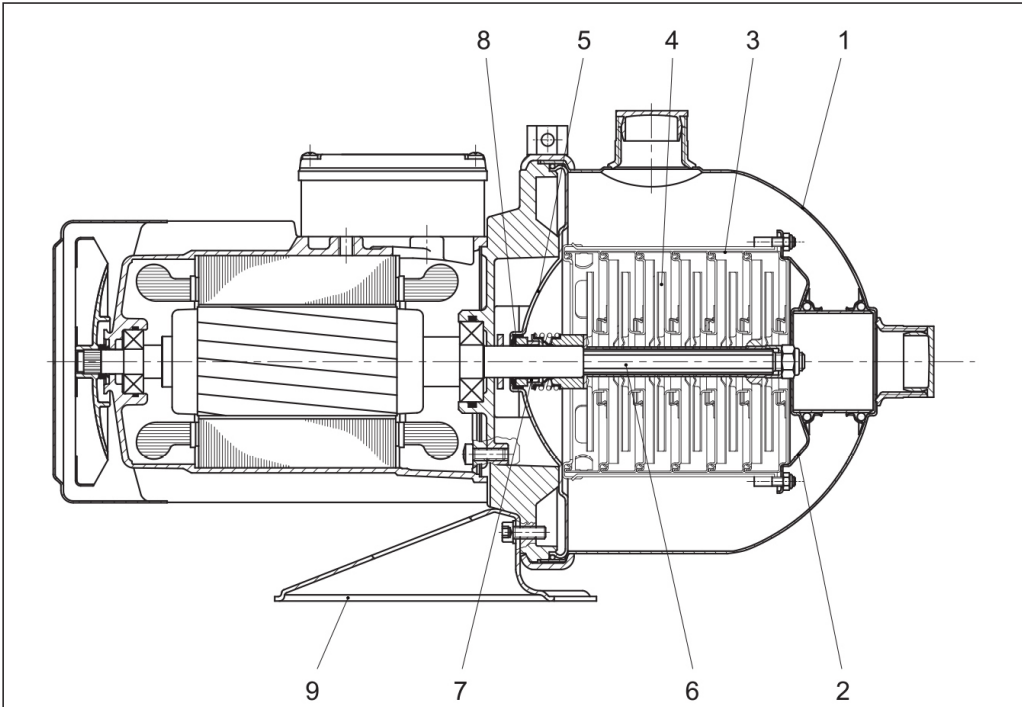
Page:  
 3

Receiver

From

Company name  
 Respons. Department  
 Person in charge  
 Phone number  
 Fax no  
 E-mail address





**Parts List**

**Material**

1	Pump Casing	Stainless Steel 304
2	Suction Inter-connector	Stainless Steel 304
3	Chamber	Stainless Steel 304
4	Impeller	Stainless Steel 304
5	Cover Plate	Stainless Steel 304
6	Shaft	Stainless Steel 431
7	Mechanical Seal	Silicon Carbide/Carbon
8	O-Ring	EPDM
9	Base Plate	Steel

Project

Project ID

Created by

Created on

Last update