



Technical Data

Multi-Stage Horizontal Pump - HBI 12-20

Revision no.

Page:

1

Receiver

From

 Company name
 Respons. Department
 Person in charge
 Phone number
 Fax no
 E-mail address



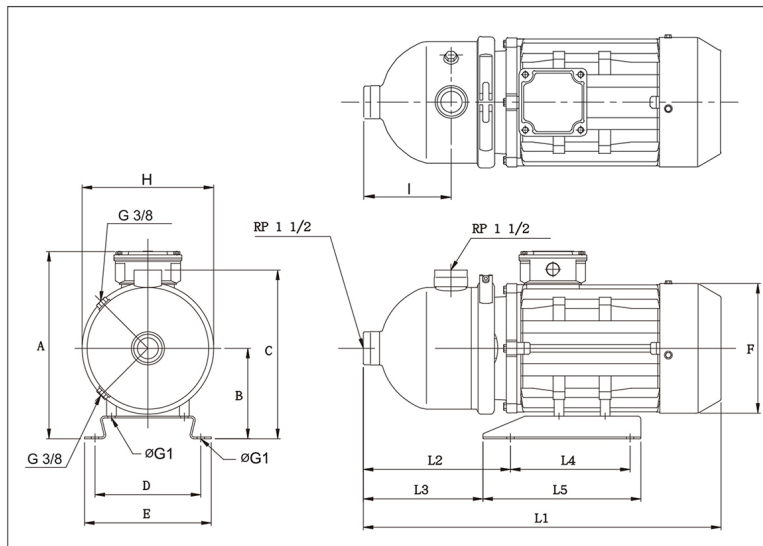
Brand: Gol Pumps
Model: HBI 12-20
Material: Stainless Steel

Enclosure class	IP54
Insulation class	F
Liquid temp. range	32 °F ~ +230 °F
Max. ambient temp.	+104 °F
Max. operating pressure	142 PSI
Max. inlet pressure is limited by Max. operating pressure	
Mechanical seal	RQBE

The Max. operating pressure depends on the temp. of the pumped liquid

142 PSI	85 PSI
32 °F to +131 °F	+133 °F to +194 °F

Dimensions:



Inlet	Outlet
1 1/2"	1 1/2"

Pump Installation Size (inch)															Weight
A	B	C	D	E	ØG1	H	I	L1	L2	L3	L4	L5	F	lb	
11.2	5.2	10.2	6.9	7.8	0.4	8	5.6	20.2	9.1	7.8	7.7	9.6	7.8	64.7	

Project

Project ID

Created by

Created on

Last update



Performance Curves

Multi-Stage Horizontal Pump - HBI 12-20

Revision no.

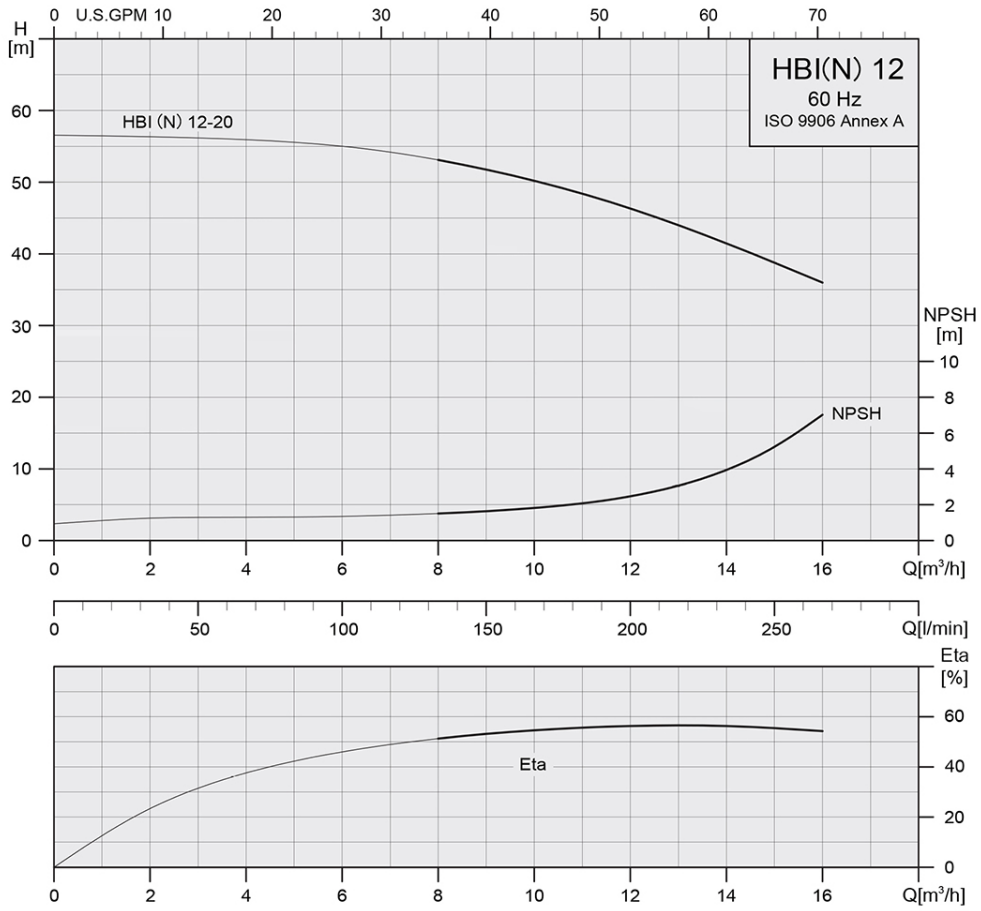
Page:
 2

Receiver

From

Company name
 Respons. Department
 Person in charge
 Phone number
 Fax no
 E-mail address

Model	Capacity			Head		Speed	Motor	Voltage	Phase	Amps	Eff.	(NPSH)r
	m ³ /h	l/m	gpm	m	ft	r/min	hp	v			%	ft
HBI 12-20	16	265	71	57	187	3450	4.5	220/460	3	11.2/6.8	58	23



Project	Project ID	Created by	Created on	Last update
---------	------------	------------	------------	-------------



Parts and Materials

Multi-Stage Horizontal Pump - HBI 12-20

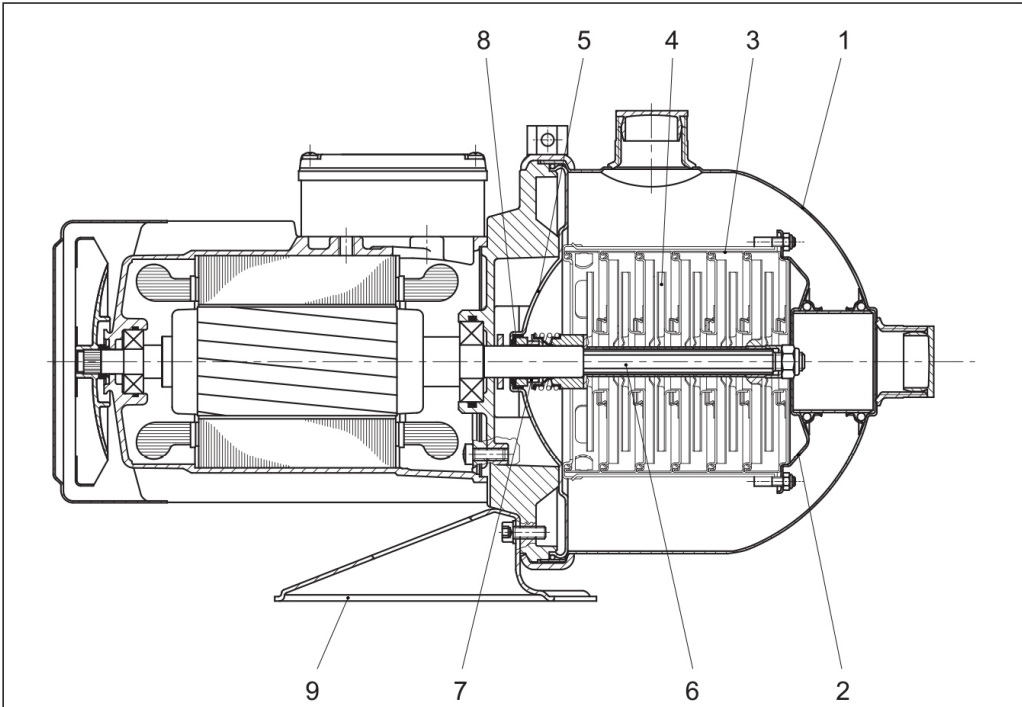
Revision no.

Page:
 3

Receiver

From

Company name
 Respons. Department
 Person in charge
 Phone number
 Fax no
 E-mail address



Parts List

Material

1	Pump Casing	Stainless Steel 304
2	Suction Inter-connector	Stainless Steel 304
3	Chamber	Stainless Steel 304
4	Impeller	Stainless Steel 304
5	Cover Plate	Stainless Steel 304
6	Shaft	Stainless Steel 431
7	Mechanical Seal	Silicon Carbide/Carbon
8	O-Ring	EPDM
9	Base Plate	Steel

Project	Project ID	Created by	Created on	Last update
---------	------------	------------	------------	-------------