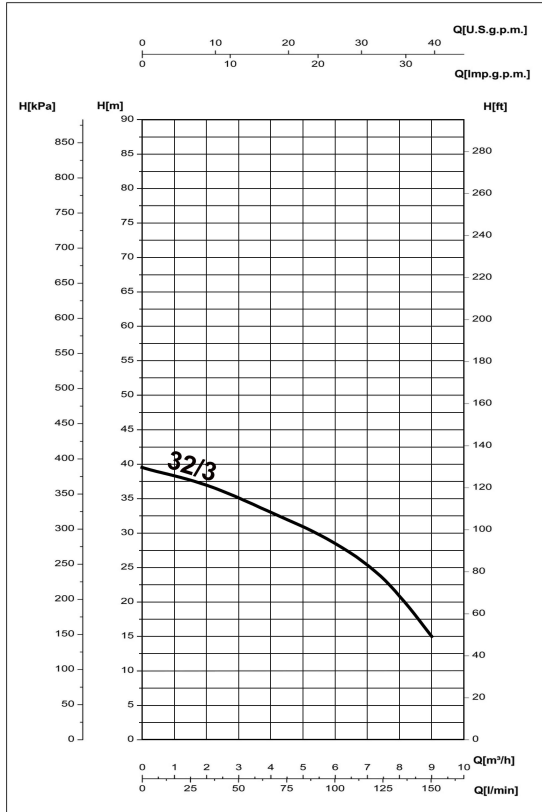


Receiver

From

 Company name
 Respons. Department
 Person in charge
 Phone number
 Fax no
 E-mail address


Operating data specification

Nominal flow	US g.p.m.	0
Nominal head	ft	0
Static head	ft	0
NPSH - v value of plant	ft	0
Inlet pressure	psi	1.42
Fluid		Water, pure
Operating temperature t A	°F	68
Density at t A	lb/ft³	62.32
Kin. viscosity at t A	ft²/s	1.082E-5

Pump

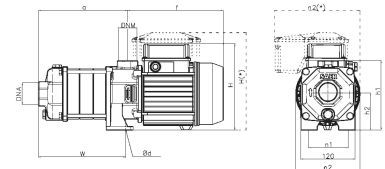
Pump name	6OP32/3			
Size				
Design				
Speed	rpm	3600	No of stages	3
Impeller type				
Flow	Nominal	US g.p.m.		
	Max-	US g.p.m.	39.6	
	Min-	US g.p.m.	6.6	
Head	Nominal	ft		
	Max-	ft	124	
	Min-	ft	48.9	
Head H(Q=0)	ft	130		
NPSH 3%	ft			
Max. working pressure	psi	56.1		
Shaft power	hp			
Efficiency	%			
Max absorbed power	hp	0		

Materials Pump

Shaft	Stainless steel AISI 431 (1.4057)
Impeller	Stainless steel AISI 304 (1.4301)
Diffuser	Stainless steel AISI 304 (1.4301)
Gasket	Natural fiber
Suction	Cast iron EN-GJL-250
Delivery	Cast iron EN-GJL-250
Mechanical seal	Stahl

Dimensions in inch

a	7 1/2
DNA	G1"1/4
DNM	G1"
f	9 3/16
H	7 1/2
h1	6
h2	3 1/8
n1	3 5/16
n2	5 9/16
Ød	7 1/16
w	7 3/8



Motor	Frame size	71		
Manufacturer / Type	SAER	MEC71-2P-0.9		
Rated power	hp	1.2069	Efficiency 4/4	78 %
Electric current	A	5.4 A	Speed	rpm 3600
Electric voltage	V	230V	3~	Hz 60
Starting mode	Unknown			
Degree of protection	IP 44	Insulation class	F	

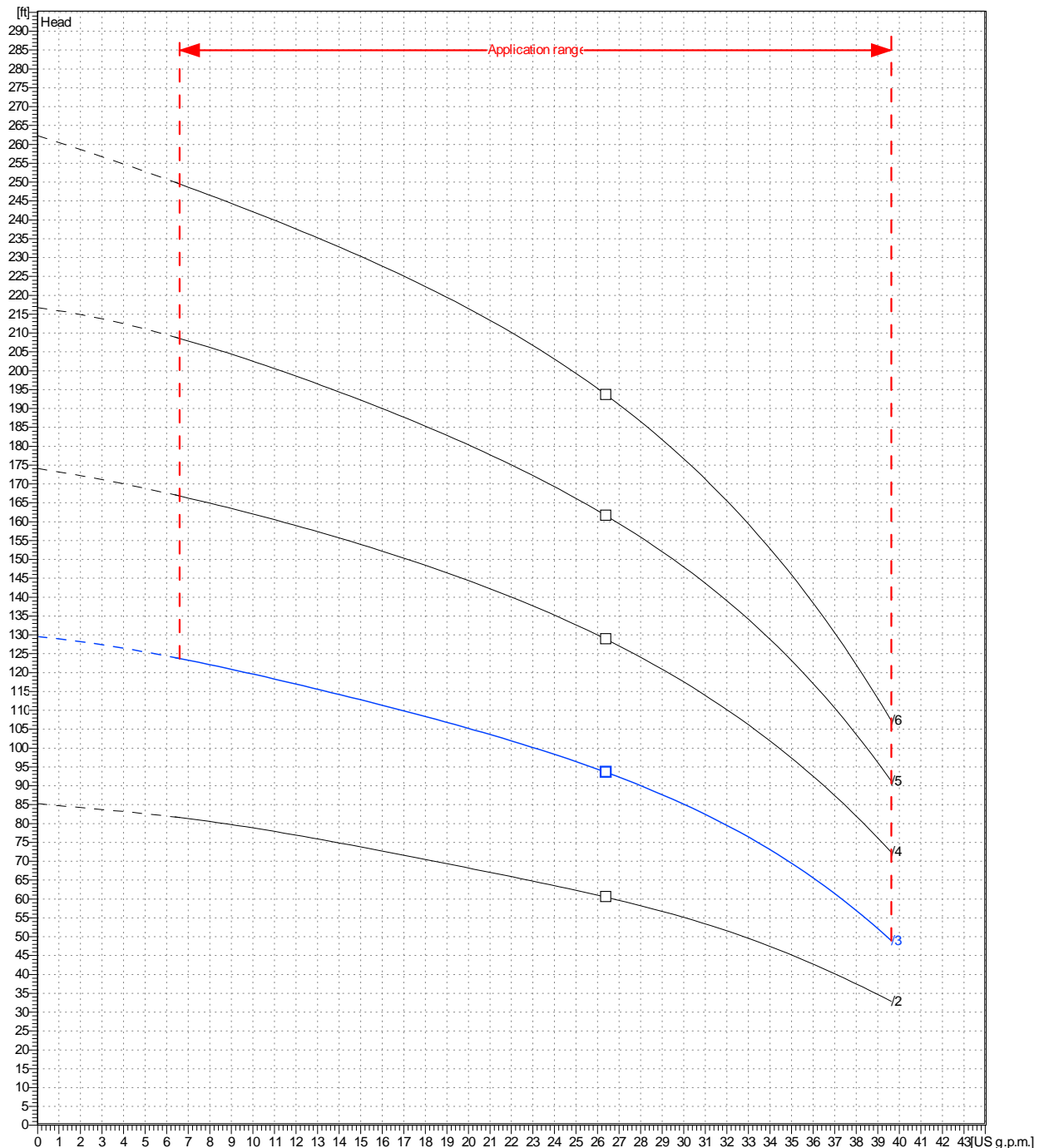
Remarks:

Project	Project ID	Created by	Created on	Last update
			2022-07-13	

Receiver	From
Company name	
Respons. Department	
Person in charge	
Phone number	
Fax no	
E-mail address	

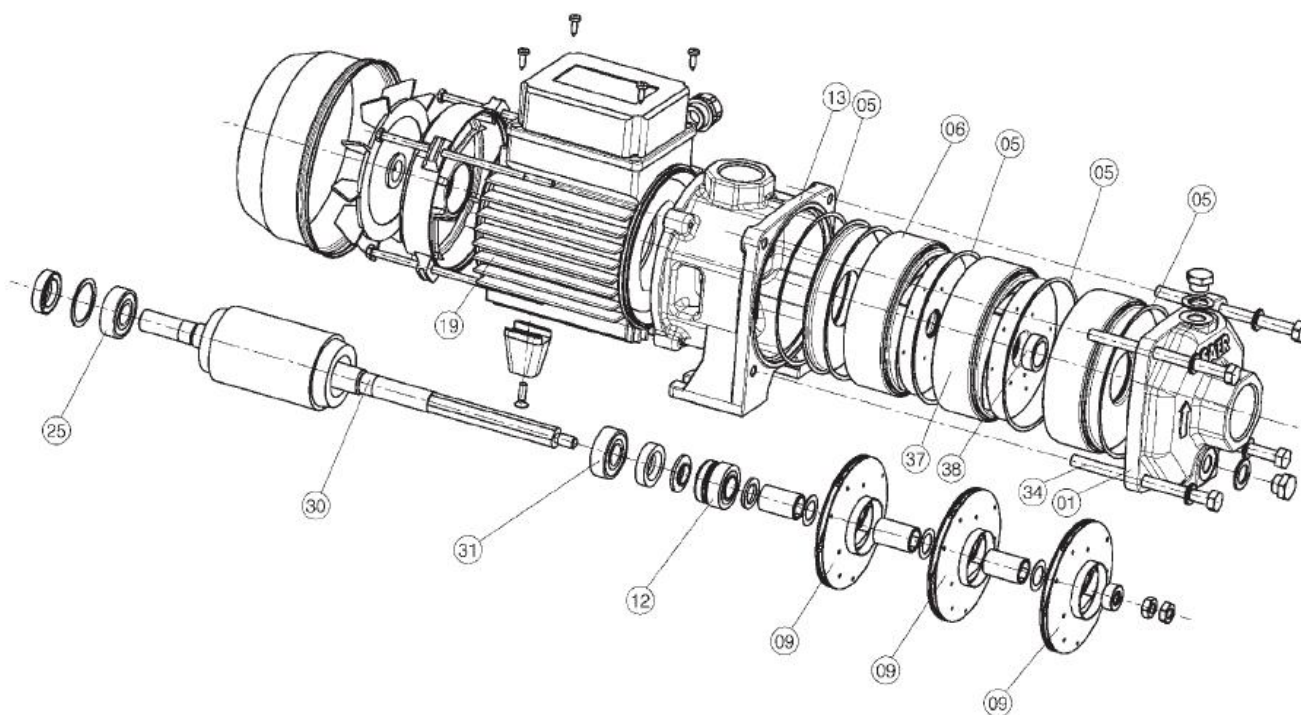
Operating area	Flow	Head	Impeller type
Operating data specification	0 US g.p.m.	0 ft	Impeller construction
Pump data	US g.p.m.	ft	Sense of rotation
			Clockwise from the drive end
			Outlet width
			G1"
	Flow	Head	Shaft power P2
	Min. Max. η Max.	H(Q=0) η Max.	P2(Q=0) Max. η Max.
	US g.p.m. US g.p.m. US g.p.m.	ft ft	hp hp hp
	6.6 39.6 26.4	130 93.5	0
			Speed rpm 3600
			Frequency Hz 60 Hz

Performance data based to: Water, pure [100%] ; 68°F; 62.3lb/ft³; 1.08E-5ft²/s UNI EN ISO 9906:2012 - Grade 3B



Project	Project ID	Created by	Created on 2022-07-13	Last update
---------	------------	------------	---------------------------------	-------------

Company name
Respons. Department
Person in charge
Phone number
Fax no
E-mail address



Project

Project ID

Created by

Created on
2022-07-13

Last update