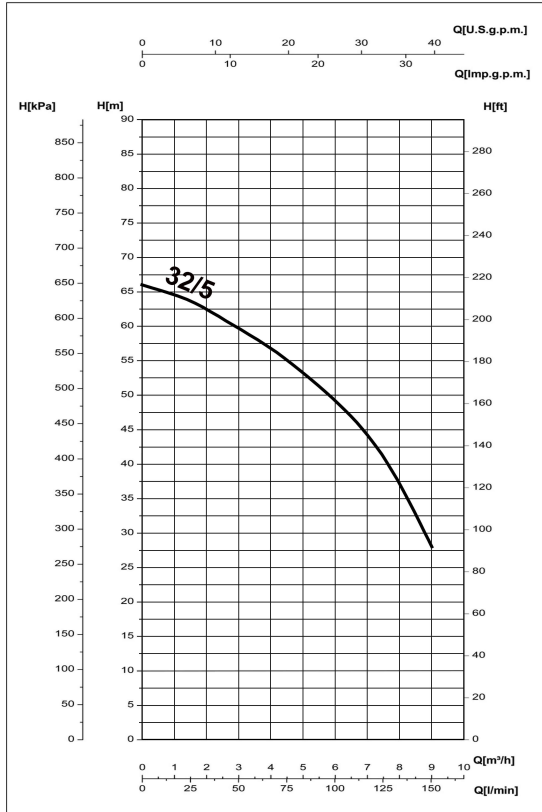


Receiver

From

 Company name  
 Respons. Department  
 Person in charge  
 Phone number  
 Fax no  
 E-mail address

	-


**Operating data specification**

Nominal flow	US g.p.m.	0
Nominal head	ft	0
Static head	ft	0
NPSH - v value of plant	ft	0
Inlet pressure	psi	1.42
Fluid	Water, pure	
Operating temperature t A	°F	68
Density at t A	lb/ft³	62.32
Kin. viscosity at t A	ft²/s	1.082E-5

**Pump**

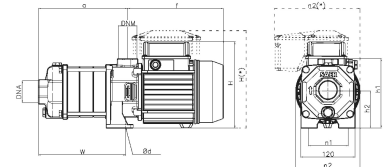
Pump name	6OP32/5			
Size				
Design				
Speed	rpm	3600	No of stages	5
Impeller type				
Flow	Nominal	US g.p.m.		
	Max-	US g.p.m.	39.6	
	Min-	US g.p.m.	6.6	
Head	Nominal	ft		
	Max-	ft	209	
	Min-	ft	91.3	
Head H(Q=0)	ft	217		
NPSH 3%	ft			
Max. working pressure	psi	93.8		
Shaft power	hp			
Efficiency	%			
Max absorbed power	hp	0		

**Materials Pump**

Shaft	Stainless steel AISI 431 (1.4057)
Impeller	Stainless steel AISI 304 (1.4301)
Diffuser	Stainless steel AISI 304 (1.4301)
Gasket	Natural fiber
Suction	Cast iron EN-GJL-250
Delivery	Cast iron EN-GJL-250
Mechanical seal	Stahl

**Dimensions in inch**

- a 9<sup>15</sup>/<sub>16</sub>
- DNA G1"1/4
- DNM G1"
- f 9<sup>3</sup>/<sub>8</sub>
- H 9<sup>5</sup>/<sub>16</sub>
- h1 6<sup>7</sup>/<sub>16</sub>
- h2 3<sup>9</sup>/<sub>16</sub>
- n1 3<sup>9</sup>/<sub>16</sub>
- n2 8<sup>1</sup>/<sub>8</sub>
- Ød 7<sup>1</sup>/<sub>16</sub>
- w 9<sup>13</sup>/<sub>16</sub>



<b>Motor</b>	Frame size	80		
Manufacturer / Type	SAER	MEC80-2P-1.5M		
Rated power	hp	2.0115	Efficiency 4/4	0 %
Electric current	A	10 A	Speed	rpm 3600
Electric voltage	V	230V	1~	Hz 60
Starting mode	Unknown			
Degree of protection	IP 55	Insulation class	F	

Remarks:

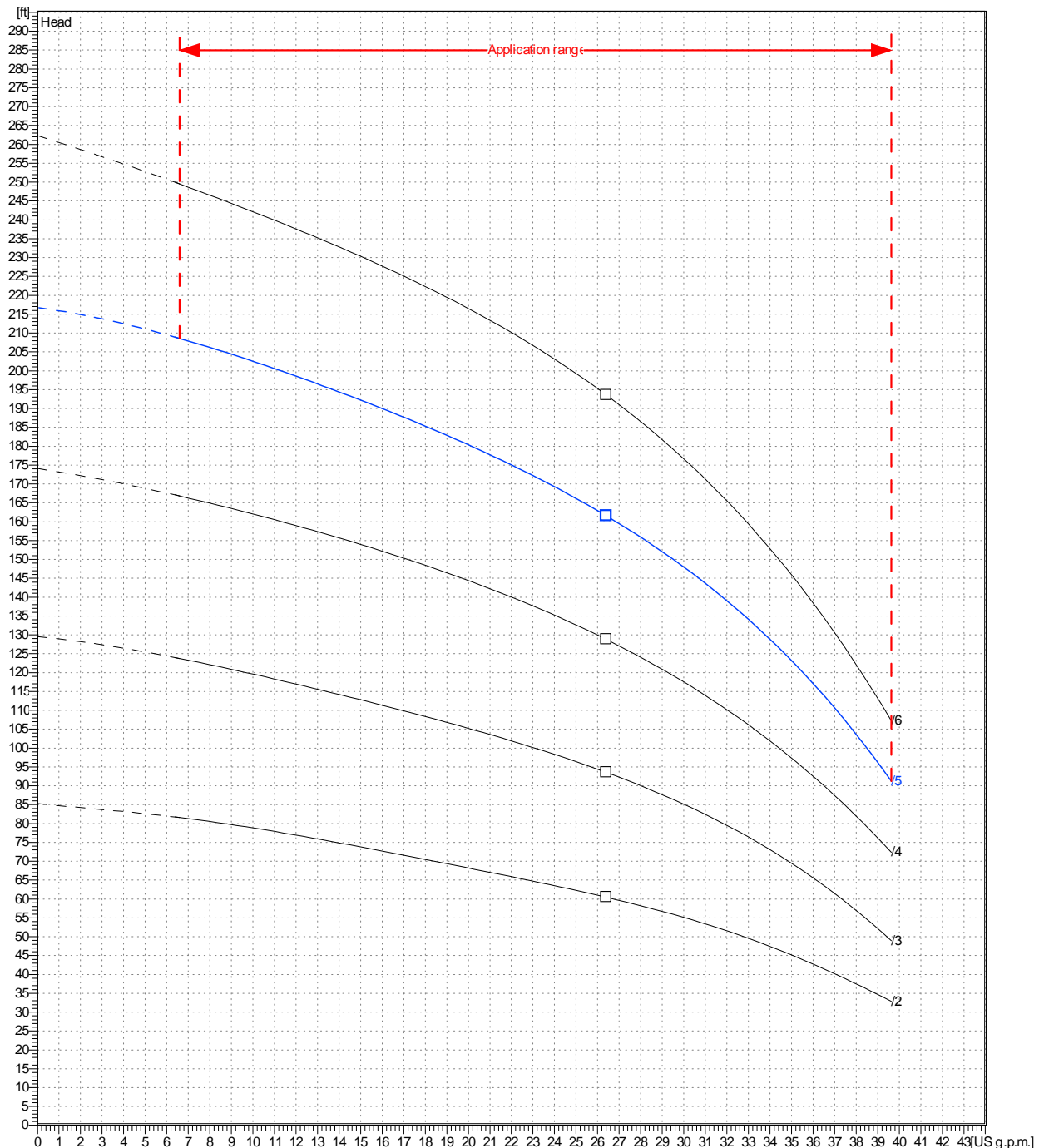
Project	Project ID	Created by	Created on	Last update
			<b>2022-07-13</b>	

Receiver	From
Company name	
Respons. Department	
Person in charge	
Phone number	
Fax no	
E-mail address	

Operating area	Flow	Head	Impeller type
Operating data specification	0 US g.p.m.	0 ft	Impeller construction
Pump data	US g.p.m.	ft	Sense of rotation
			Clockwise from the drive end
			Outlet width
			G1"
	Flow	Head	Shaft power P2
	Min. Max. $\eta$ Max.	H(Q=0) $\eta$ Max.	P2(Q=0) Max. $\eta$ Max.
	US g.p.m. US g.p.m. US g.p.m.	ft ft	hp hp hp
	6.6 39.6 26.4	217 162	0
			Speed rpm 3600
			Frequency Hz 60 Hz

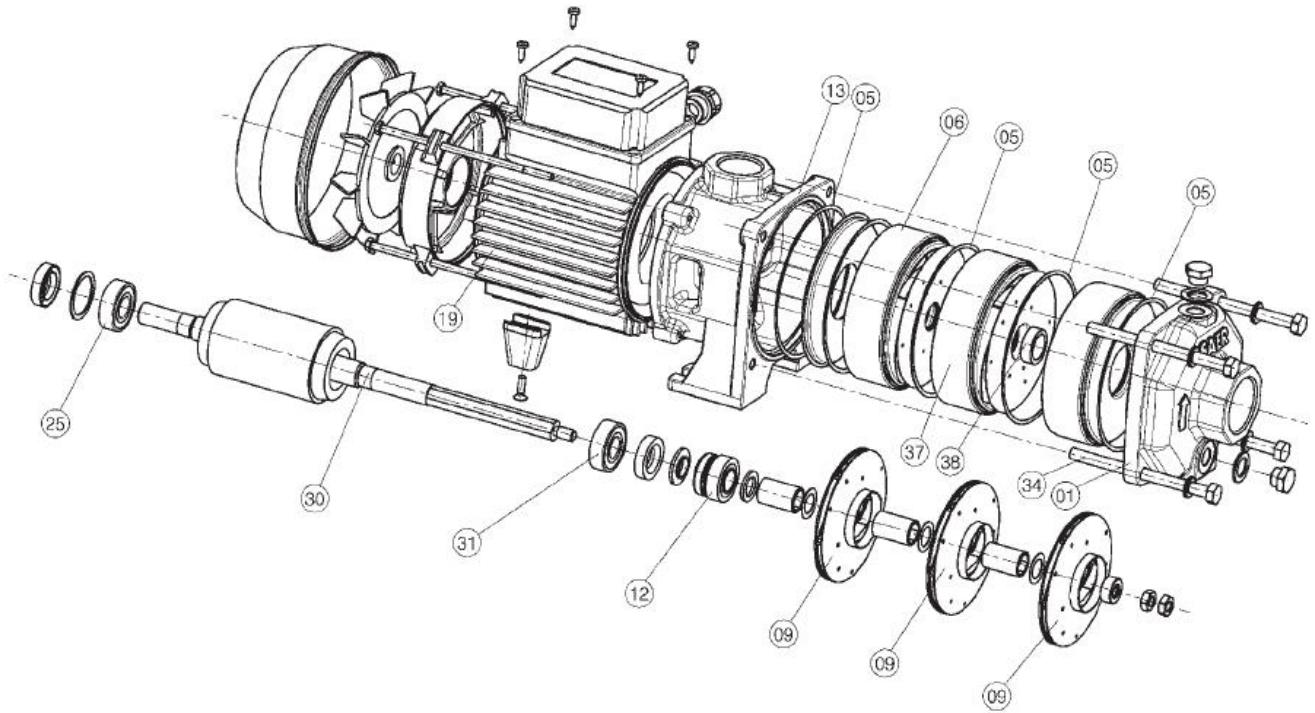
Performance data based to: Water, pure [100%] ; 68°F; 62.3lb/ft³; 1.08E-5ft²/s

UNI EN ISO 9906:2012 - Grade 3B



Project	Project ID	Created by	Created on <b>2022-07-13</b>	Last update
---------	------------	------------	---------------------------------	-------------

Company name  
Respons. Department  
Person in charge  
Phone number  
Fax no  
E-mail address



Project

Project ID

Created by

Created on  
**2022-07-13**

Last update