

Receiver

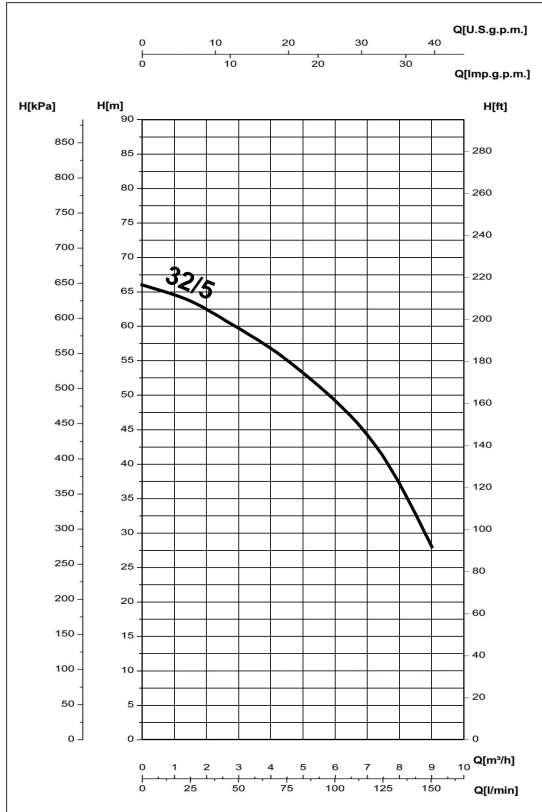
From

 Company name
 Respons. Department
 Person in charge
 Phone number
 Fax no
 E-mail address

	-

Operating data specification

Nominal flow	US g.p.m.	0
Nominal head	ft	0
Static head	ft	0
NPSH - v value of plant	ft	0
Inlet pressure	psi	1.42
Fluid	Water, pure	
Operating temperature t A	°F	68
Density at t A	lb/ft³	62.32
Kin. viscosity at t A	ft²/s	1.082E-5



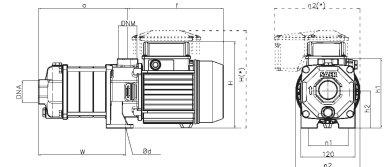
Pump				
Pump name		6OP32/5		
Size				
Design				
Speed	rpm	3600	No of stages	5
Impeller type				
Flow	Nominal	US g.p.m.		
	Max-	US g.p.m. 39.6		
	Min-	US g.p.m. 6.6		
Head	Nominal	ft		
	Max-	ft 209		
	Min-	ft 91.3		
Head H(Q=0)		ft 217		
NPSH 3%		ft		
Max. working pressure		psi 93.8		
Shaft power		hp		
Efficiency		%		
Max absorbed power		hp 0		

Materials Pump

Shaft	Stainless steel AISI 431 (1.4057)
Impeller	Stainless steel AISI 304 (1.4301)
Diffuser	Stainless steel AISI 304 (1.4301)
Gasket	Natural fiber
Suction	Cast iron EN-GJL-250
Delivery	Cast iron EN-GJL-250
Mechanical seal	Stahl

Dimensions in inch

- a 9¹⁵/₁₆
- DNA G1"1/4
- DNM G1"
- f 9³/₈
- H 9⁵/₁₆
- h1 6⁷/₁₆
- h2 3⁹/₁₆
- n1 3⁹/₁₆
- n2 8¹/₈
- Ød 7¹/₁₆
- w 9¹³/₁₆



Motor	Frame size	80		
Manufacturer / Type	SAER	MEC80-2P-1.5		
Rated power	hp	2.0115	Efficiency 4/4	81.5 %
Electric current	A	10.2 A	Speed	rpm 3600
Electric voltage	V	230V	3~	Hz 60
Starting mode	Unknown			
Degree of protection	IP 55	Insulation class	F	

Remarks:

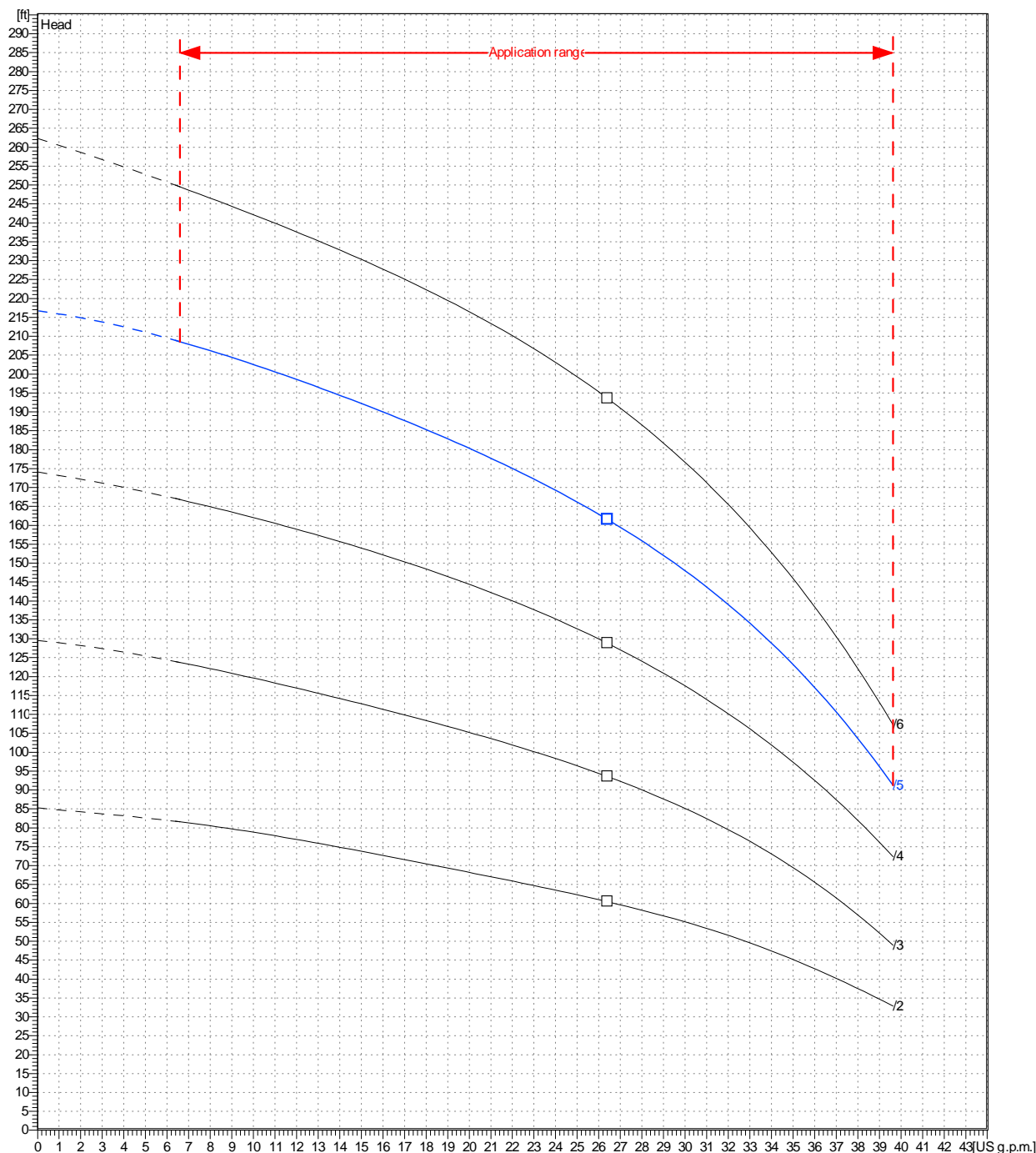
Project	Project ID	Created by	Created on	Last update
			2022-07-13	

Receiver	From
Company name	
Respons. Department	
Person in charge	
Phone number	
Fax no	
E-mail address	

Operating area	Flow	Head	Impeller type
Operating data specification	0 US g.p.m.	0 ft	Impeller construction
Pump data	US g.p.m.	ft	Sense of rotation
			Clockwise from the drive end
			Outlet width
			G1"
	Flow	Head	Shaft power P2
	Min. Max. η Max.	H(Q=0) η Max.	P2(Q=0) Max. η Max.
	US g.p.m. US g.p.m. US g.p.m.	ft ft	hp hp hp
	6.6 39.6 26.4	217 162	0
			Speed rpm 3600
			Frequency Hz 60 Hz

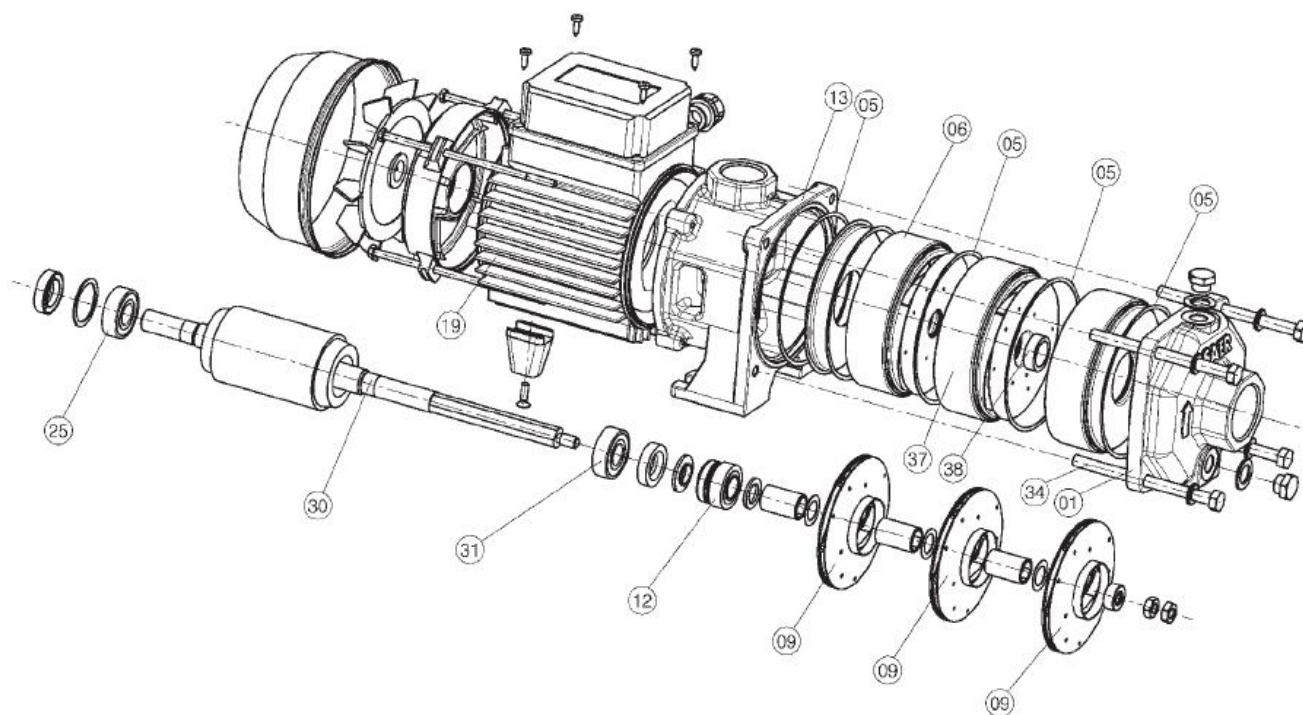
Performance data based to: Water, pure [100%]; 68°F; 62.3lb/ft³; 1.08E-5ft²/s

UNI EN ISO 9906:2012 - Grade 3B



Project	Project ID	Created by	Created on	Last update
			2022-07-13	

Company name
Respons. Department
Person in charge
Phone number
Fax no
E-mail address



Project

Project ID

Created by

Created on
2022-07-13

Last update