

Receiver

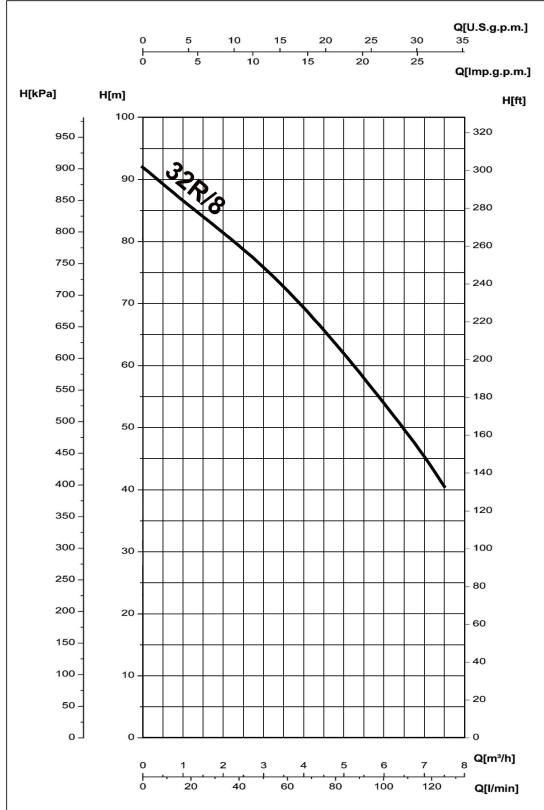
From

Company name
Respons. Department
Person in charge
Phone number
Fax no
E-mail address

	-

Operating data specification

Nominal flow	US g.p.m.	0
Nominal head	ft	0
Static head	ft	0
NPSH - v value of plant	ft	0
Inlet pressure	psi	1.42
Fluid		Water, pure
Operating temperature t A	°F	68
Density at t A	lb/ft³	62.32
Kin. viscosity at t A	ft²/s	1.082E-5



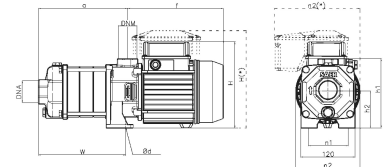
Pump				
Pump name		6OP32 R/8		
Size				
Design				
Speed	rpm	3600	No of stages	8
Impeller type				
Flow	Nominal	US g.p.m.		
	Max-	US g.p.m. 33		
	Min-	US g.p.m. 4.4		
Head	Nominal	ft		
	Max-	ft 284		
	Min-	ft 134		
Head H(Q=0)	ft 302			
NPSH 3%	ft			
Max. working pressure	psi 131			
Shaft power	hp			
Efficiency	%			
Max absorbed power	hp 0			

Materials Pump

Shaft	Stainless steel AISI 431 (1.4057)
Impeller	Stainless steel AISI 304 (1.4301)
Diffuser	Stainless steel AISI 304 (1.4301)
Gasket	Natural fiber
Suction	Cast iron EN-GJL-250
Delivery	Cast iron EN-GJL-250
Mechanical seal	Stahl

Dimensions in inch

- a 11¹/₈
- DNA G1¹/₄
- DNM G1"
- f 11¹/₈
- H 9⁵/₁₆
- h1 6⁷/₁₆
- h2 3⁹/₁₆
- n1 3⁹/₁₆
- n2 8¹/₈
- Ød 7¹/₁₆
- w 13³/₈



Motor	Frame size	80		
Manufacturer / Type	SAER MEC80-2P-2.2M			
Rated power	hp	2.9502	Efficiency	4/4 0 %
Electric current	A	14.5 A	Speed	rpm 3600
Electric voltage	V	230V	1~	Hz 60
Starting mode	Unknown			
Degree of protection	IP 55	Insulation class	F	

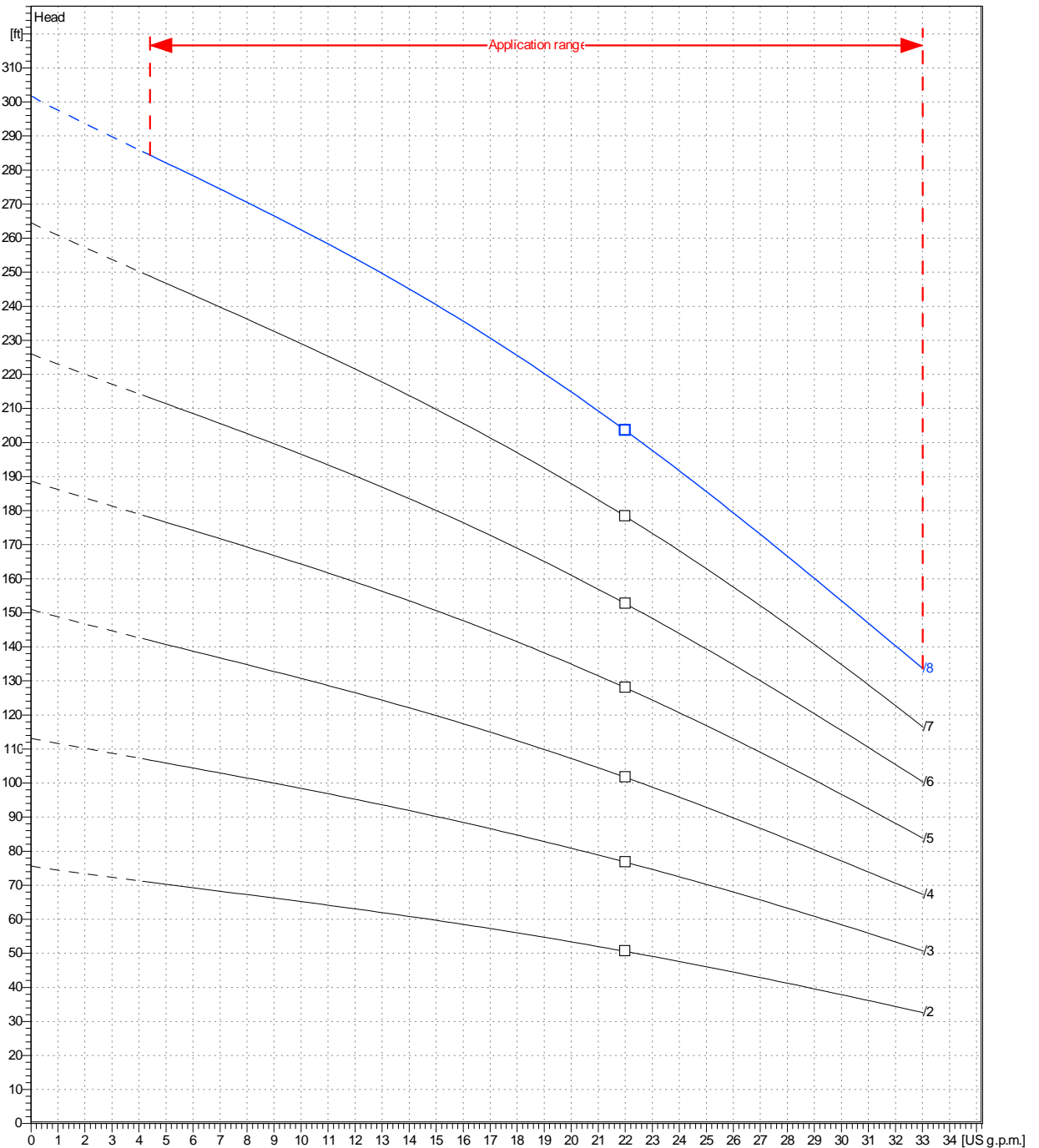
Remarks:

Project	Project ID	Created by	Created on	Last update
			2022-07-13	

Receiver	From
Company name	-
Respons. Department	-
Person in charge	-
Phone number	-
Fax no	-
E-mail address	-

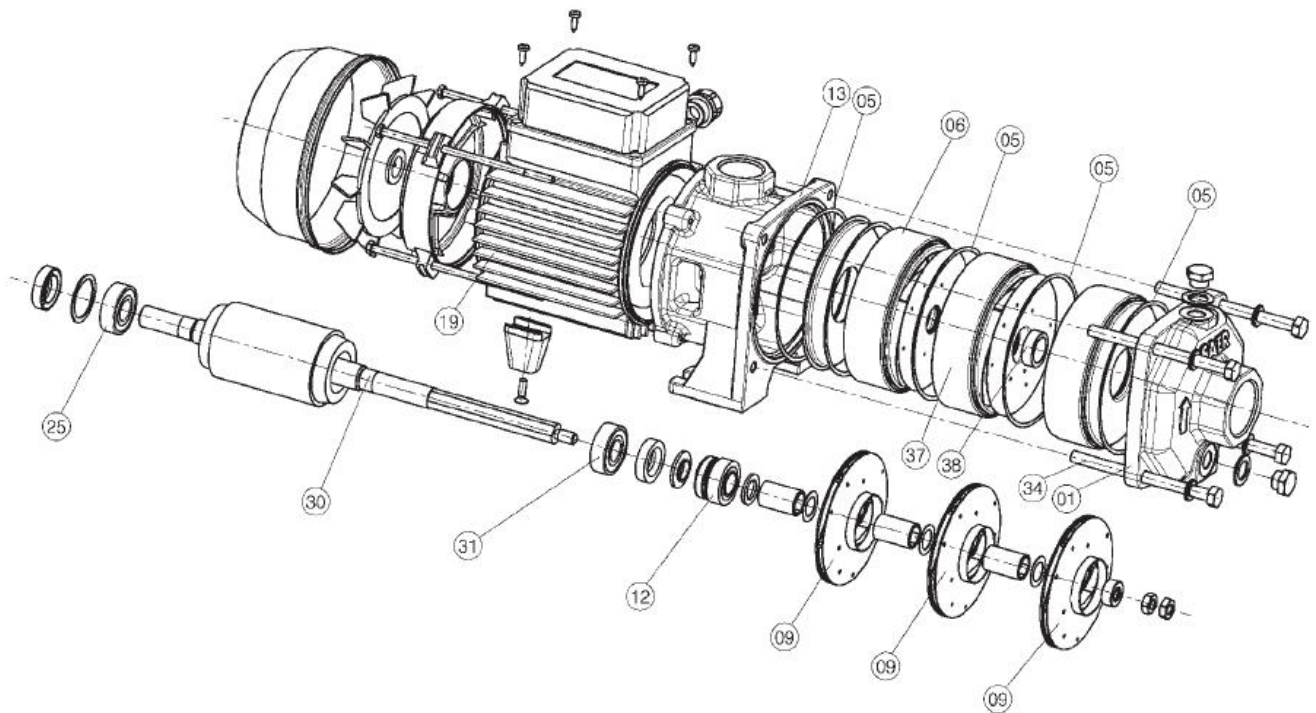
Operating area	Flow	Head	Impeller type
Operating data specification	0 US g.p.m.	0 ft	Impeller construction
Pump data	US g.p.m.	ft	Sense of rotation
			Clockwise from the drive end
			Outlet width
			G1"
	Flow	Head	Shaft power P2
	Min. Max. η Max.	H(Q=0) η Max.	P2(Q=0) Max. η Max.
	US g.p.m. US g.p.m. US g.p.m.	ft ft	hp hp hp
	4.4 33 22	302 203	0
			Speed rpm 3600
			Frequency Hz 60 Hz

Performance data based to: Water, pure [100%] ; 68°F; 62.3lb/ft³; 1.08E-5ft²/s UNI EN ISO 9906:2012 - Grade 3B



Project	Project ID	Created by	Created on	Last update
			2022-07-13	

Company name
Respons. Department
Person in charge
Phone number
Fax no
E-mail address



Project	Project ID	Created by	Created on 2022-07-13	Last update
---------	------------	------------	---------------------------------	-------------