

Receiver

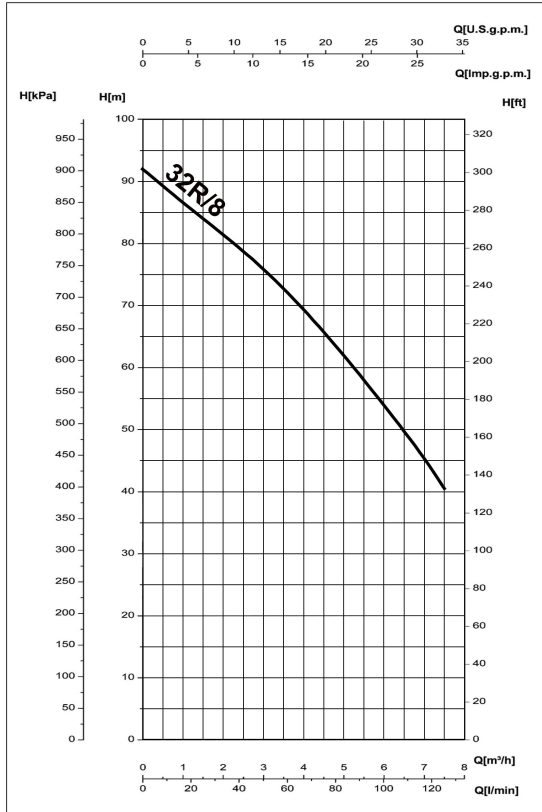
From

 Company name  
 Respons. Department  
 Person in charge  
 Phone number  
 Fax no  
 E-mail address

|  |   |
|--|---|
|  | - |
|  |   |
|  |   |
|  |   |
|  |   |
|  |   |

**Operating data specification**

|                           |             |          |
|---------------------------|-------------|----------|
| Nominal flow              | US g.p.m.   | 0        |
| Nominal head              | ft          | 0        |
| Static head               | ft          | 0        |
| NPSH - v value of plant   | ft          | 0        |
| Inlet pressure            | psi         | 1.42     |
| Fluid                     | Water, pure |          |
| Operating temperature t A | °F          | 68       |
| Density at t A            | lb/ft³      | 62.32    |
| Kin. viscosity at t A     | ft²/s       | 1.082E-5 |


**Pump**

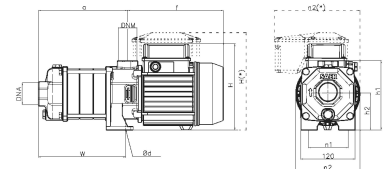
|                       |           |              |     |
|-----------------------|-----------|--------------|-----|
| Pump name             | 6OP32 R/8 |              |     |
| Size                  |           |              |     |
| Design                |           |              |     |
| Speed rpm             | 3600      | No of stages | 8   |
| Impeller type         |           |              |     |
| Flow                  | Nominal   | US g.p.m.    |     |
|                       | Max-      | US g.p.m.    | 33  |
|                       | Min-      | US g.p.m.    | 4.4 |
| Head                  | Nominal   | ft           |     |
|                       | Max-      | ft           | 284 |
|                       | Min-      | ft           | 134 |
| Head H(Q=0)           | ft        | 302          |     |
| NPSH 3%               | ft        |              |     |
| Max. working pressure | psi       | 131          |     |
| Shaft power           | hp        |              |     |
| Efficiency            | %         |              |     |
| Max absorbed power    | hp        | 0            |     |

**Materials Pump**

|                 |                                   |
|-----------------|-----------------------------------|
| Shaft           | Stainless steel AISI 431 (1.4057) |
| Impeller        | Stainless steel AISI 304 (1.4301) |
| Diffuser        | Stainless steel AISI 304 (1.4301) |
| Gasket          | Natural fiber                     |
| Suction         | Cast iron EN-GJL-250              |
| Delivery        | Cast iron EN-GJL-250              |
| Mechanical seal | Stahl                             |
|                 |                                   |
|                 |                                   |
|                 |                                   |
|                 |                                   |
|                 |                                   |
|                 |                                   |

**Dimensions in inch**

|     |                                |
|-----|--------------------------------|
| a   | 11 <sup>1</sup> / <sub>8</sub> |
| DNA | G1 <sup>1</sup> / <sub>4</sub> |
| DNM | G1"                            |
| f   | 11 <sup>1</sup> / <sub>8</sub> |
| H   | 9 <sup>5</sup> / <sub>16</sub> |
| h1  | 6 <sup>7</sup> / <sub>16</sub> |
| h2  | 3 <sup>9</sup> / <sub>16</sub> |
| n1  | 3 <sup>9</sup> / <sub>16</sub> |
| n2  | 8 <sup>1</sup> / <sub>8</sub>  |
| Ød  | 7 <sup>1</sup> / <sub>16</sub> |
| w   | 13 <sup>3</sup> / <sub>8</sub> |



|                      |            |                  |                |        |
|----------------------|------------|------------------|----------------|--------|
| <b>Motor</b>         | Frame size | 80               |                |        |
| Manufacturer / Type  | SAER       | MEC80-2P-2.2     |                |        |
| Rated power          | hp         | 2.9502           | Efficiency 4/4 | 81.5 % |
| Electric current     | A          | 10.2 A           | Speed rpm      | 3600   |
| Electric voltage     | V          | 230V             | 3~             | Hz 60  |
| Starting mode        | Unknown    |                  |                |        |
| Degree of protection | IP 55      | Insulation class | F              |        |

Remarks:

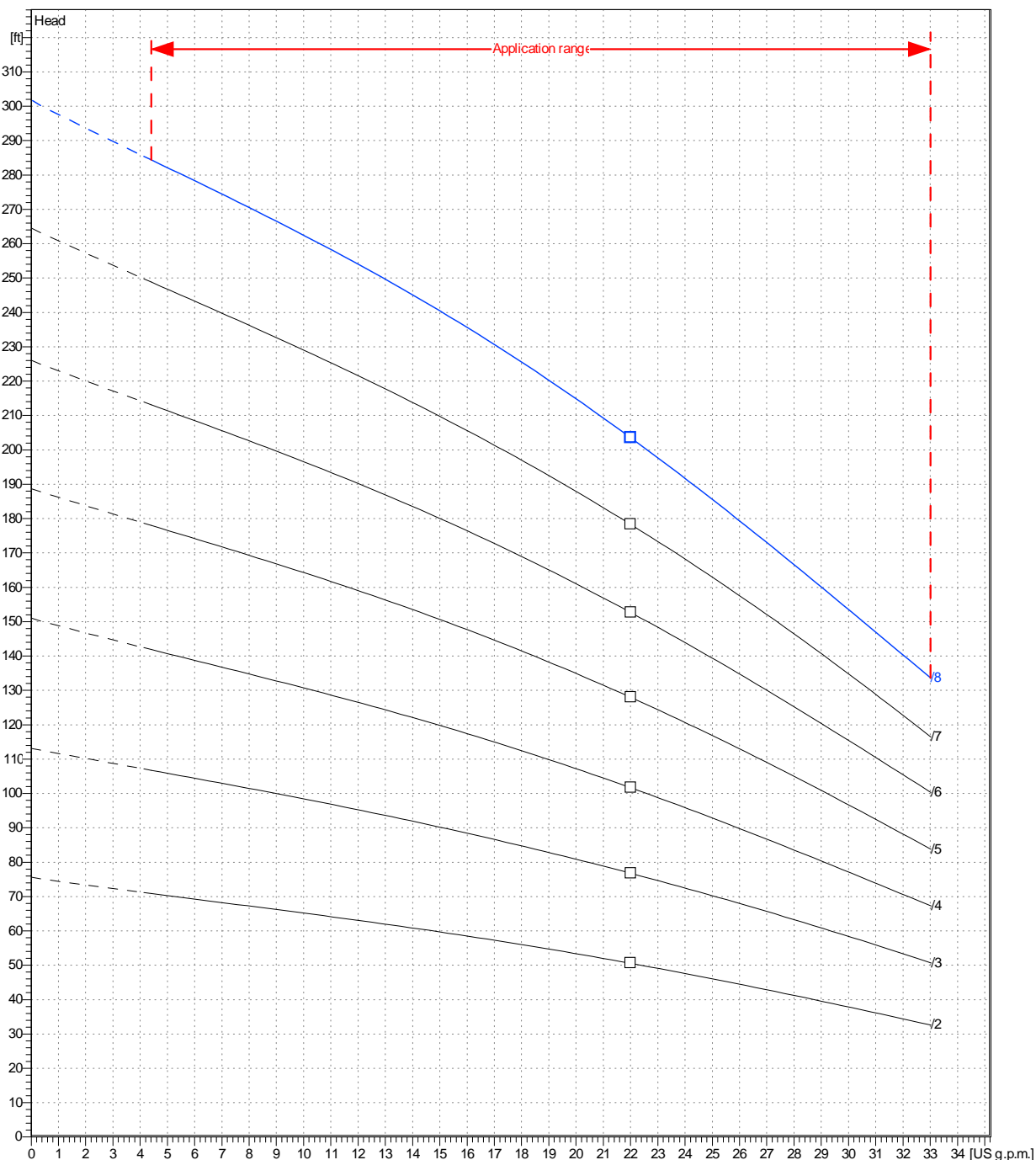
|         |            |            |            |             |
|---------|------------|------------|------------|-------------|
| Project | Project ID | Created by | Created on | Last update |
|         |            |            | 2022-07-13 |             |

|                     |             |
|---------------------|-------------|
| <b>Receiver</b>     | <b>From</b> |
| Company name        | -           |
| Respons. Department | -           |
| Person in charge    | -           |
| Phone number        | -           |
| Fax no              | -           |
| E-mail address      | -           |

|                              |                               |                    |                              |
|------------------------------|-------------------------------|--------------------|------------------------------|
| Operating area               | Flow                          | Head               | Impeller type                |
| Operating data specification | 0 US g.p.m.                   | 0 ft               | Impeller construction        |
| Pump data                    | US g.p.m.                     | ft                 | Sense of rotation            |
|                              |                               |                    | Clockwise from the drive end |
|                              |                               |                    | Outlet width                 |
|                              |                               |                    | G1"                          |
|                              | Flow                          | Head               | Shaft power P2               |
|                              | Min. Max. $\eta$ Max.         | H(Q=0) $\eta$ Max. | P2(Q=0) Max. $\eta$ Max.     |
|                              | US g.p.m. US g.p.m. US g.p.m. | ft ft              | hp hp hp                     |
|                              | 4.4 33 22                     | 302 203            | 0                            |
|                              |                               |                    | Speed rpm 3600               |
|                              |                               |                    | Frequency Hz 60 Hz           |

Performance data based to: Water, pure [100%] ; 68°F; 62.3lb/ft<sup>3</sup>; 1.08E-5ft<sup>2</sup>/s

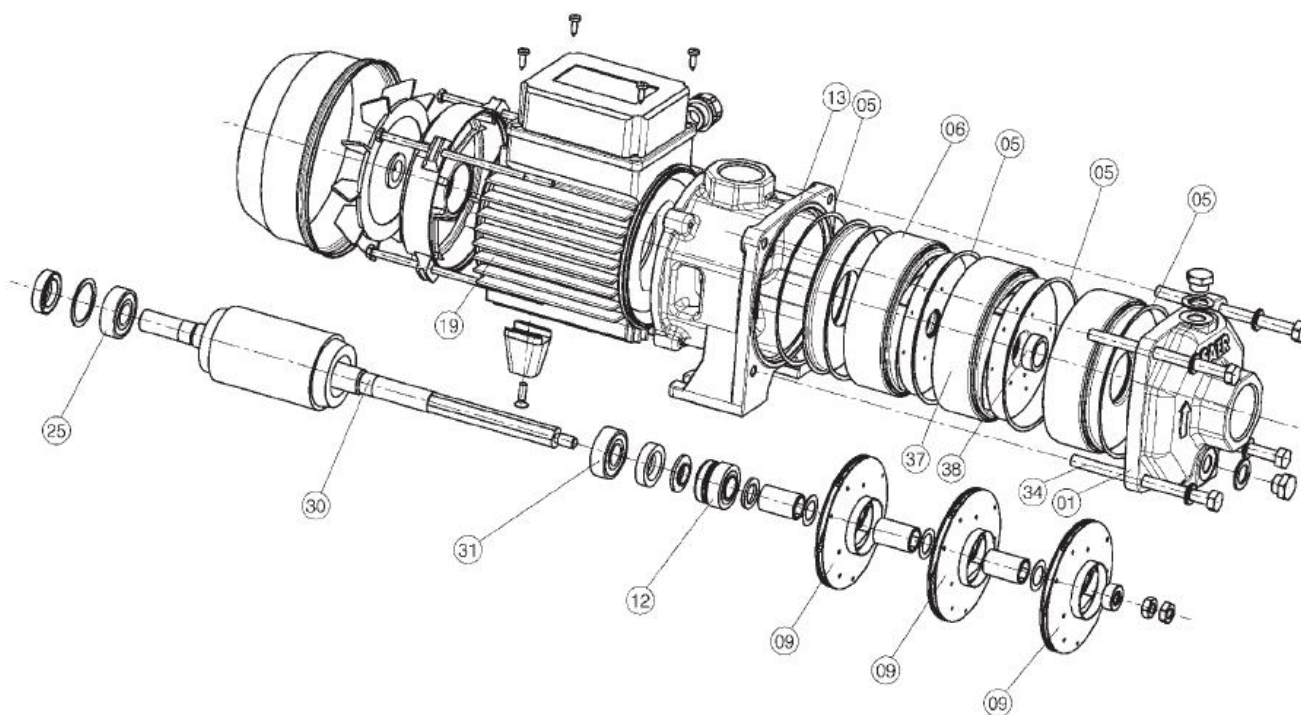
UNI EN ISO 9906:2012 - Grade 3B



|         |            |            |            |             |
|---------|------------|------------|------------|-------------|
| Project | Project ID | Created by | Created on | Last update |
|         |            |            | 2022-07-13 |             |

Company name  
Respons. Department  
Person in charge  
Phone number  
Fax no  
E-mail address

|  |  |
|--|--|
|  |  |
|  |  |
|  |  |
|  |  |
|  |  |
|  |  |



|         |            |            |                                 |             |
|---------|------------|------------|---------------------------------|-------------|
| Project | Project ID | Created by | Created on<br><b>2022-07-13</b> | Last update |
|---------|------------|------------|---------------------------------|-------------|