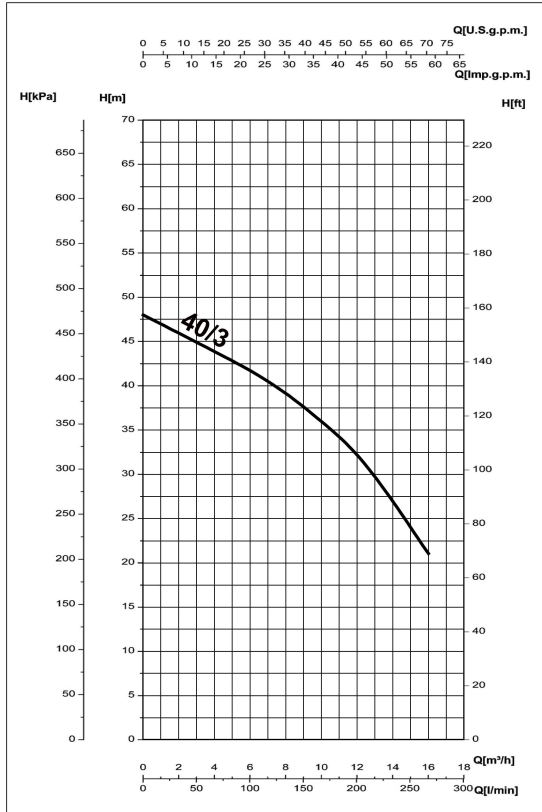


Receiver

From

 Company name  
 Respons. Department  
 Person in charge  
 Phone number  
 Fax no  
 E-mail address

|  |   |
|--|---|
|  | - |
|  |   |
|  |   |
|  |   |
|  |   |
|  |   |


**Operating data specification**

|                           |             |          |
|---------------------------|-------------|----------|
| Nominal flow              | US g.p.m.   | 0        |
| Nominal head              | ft          | 0        |
| Static head               | ft          | 0        |
| NPSH - v value of plant   | ft          | 0        |
| Inlet pressure            | psi         | 1.42     |
| Fluid                     | Water, pure |          |
| Operating temperature t A | °F          | 68       |
| Density at t A            | lb/ft³      | 62.32    |
| Kin. viscosity at t A     | ft²/s       | 1.082E-5 |

**Pump**

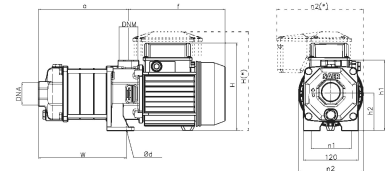
|                       |         |              |      |
|-----------------------|---------|--------------|------|
| Pump name             | 6OP40/3 |              |      |
| Size                  |         |              |      |
| Design                |         |              |      |
| Speed rpm             | 3500    | No of stages | 3    |
| Impeller type         |         |              |      |
| Flow                  | Nominal | US g.p.m.    |      |
|                       | Max-    | US g.p.m.    | 70.3 |
|                       | Min-    | US g.p.m.    | 17.6 |
| Head                  | Nominal | ft           |      |
|                       | Max-    | ft           | 144  |
|                       | Min-    | ft           | 68.7 |
| Head H(Q=0)           | ft      | 157          |      |
| NPSH 3%               | ft      |              |      |
| Max. working pressure | psi     | 68.1         |      |
| Shaft power           | hp      |              |      |
| Efficiency            | %       |              |      |
| Max absorbed power    | hp      | 0            |      |

**Materials Pump**

|                 |                                   |
|-----------------|-----------------------------------|
| Shaft           | Stainless steel AISI 431 (1.4057) |
| Impeller        | Stainless steel AISI 304 (1.4301) |
| Diffuser        | Stainless steel AISI 304 (1.4301) |
| Gasket          | Natural fiber                     |
| Suction         | Cast iron EN-GJL-250              |
| Delivery        | Cast iron EN-GJL-250              |
| Mechanical seal | Stahl                             |
|                 |                                   |
|                 |                                   |
|                 |                                   |
|                 |                                   |
|                 |                                   |
|                 |                                   |

**Dimensions in inch**

a 8<sup>3</sup>/<sub>8</sub>  
 DNA G1"1/2  
 DNM G1"1/2  
 f 10<sup>1</sup>/<sub>4</sub>  
 H 8<sup>11</sup>/<sub>16</sub>  
 h1 7<sup>15</sup>/<sub>16</sub>  
 h2 3<sup>15</sup>/<sub>16</sub>  
 n1 4<sup>1</sup>/<sub>2</sub>  
 n2 6<sup>5</sup>/<sub>16</sub>  
 Ød 7<sup>1</sup>/<sub>16</sub>  
 w 9



|                      |            |                  |                |       |
|----------------------|------------|------------------|----------------|-------|
| <b>Motor</b>         | Frame size | 80               |                |       |
| Manufacturer / Type  | SAER       | MEC80-2P-1.5M    |                |       |
| Rated power          | hp         | 2.0115           | Efficiency 4/4 | 0 %   |
| Electric current     | A          | 10 A             | Speed rpm      | 3600  |
| Electric voltage     | V          | 230V             | 1~             | Hz 60 |
| Starting mode        | Unknown    |                  |                |       |
| Degree of protection | IP 55      | Insulation class | F              |       |

Remarks:

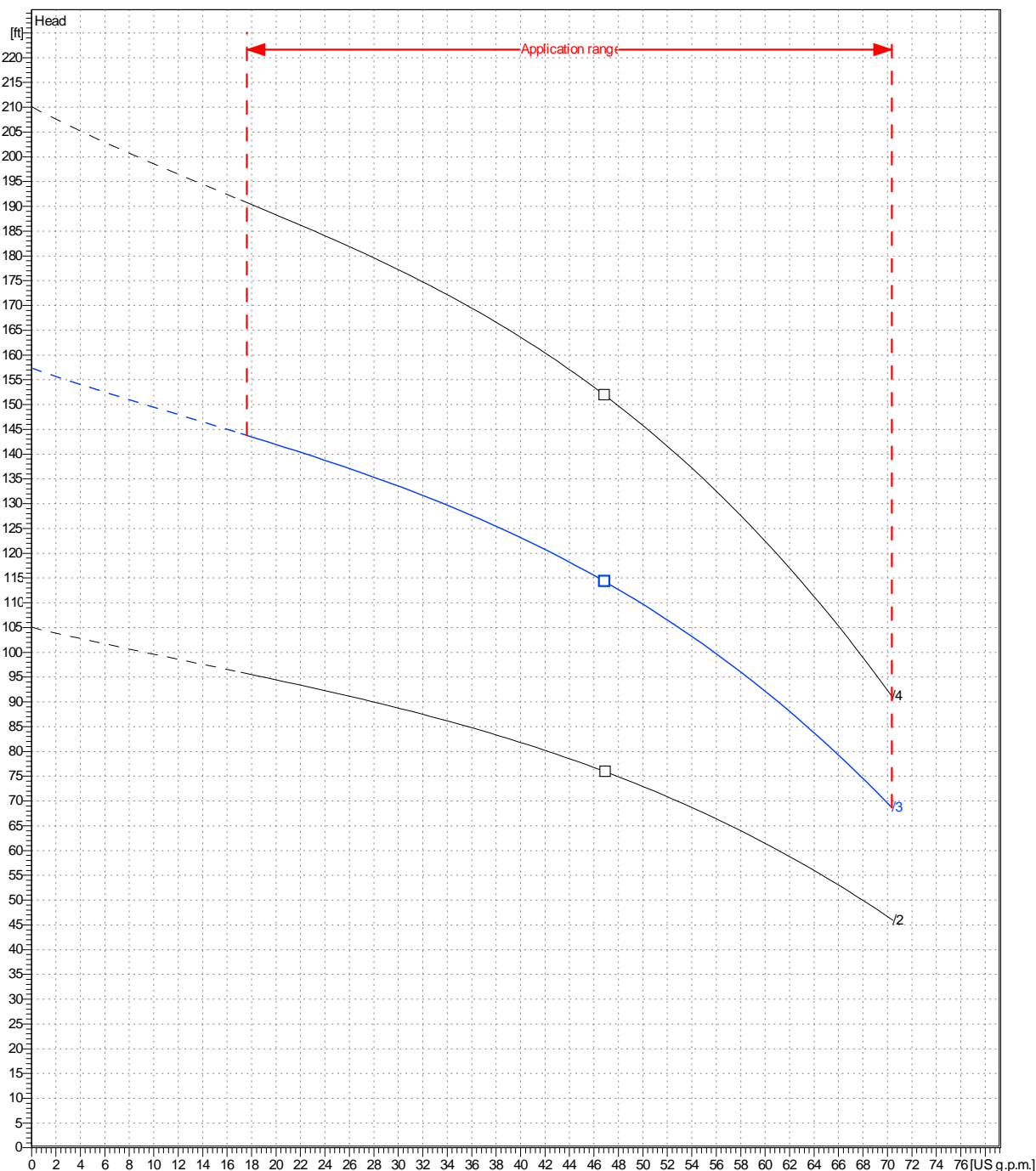
|         |            |            |                   |             |
|---------|------------|------------|-------------------|-------------|
| Project | Project ID | Created by | Created on        | Last update |
|         |            |            | <b>2022-07-13</b> |             |

|                     |             |
|---------------------|-------------|
| <b>Receiver</b>     | <b>From</b> |
| Company name        | -           |
| Respons. Department | -           |
| Person in charge    | -           |
| Phone number        | -           |
| Fax no              | -           |
| E-mail address      | -           |

|                              |                               |                    |                              |
|------------------------------|-------------------------------|--------------------|------------------------------|
| Operating area               | Flow                          | Head               | Impeller type                |
| Operating data specification | 0 US g.p.m.                   | 0 ft               | Impeller construction        |
| Pump data                    | US g.p.m.                     | ft                 | Sense of rotation            |
|                              |                               |                    | Clockwise from the drive end |
|                              |                               |                    | Outlet width                 |
|                              |                               |                    | G1½"                         |
|                              | Flow                          | Head               | Shaft power P2               |
|                              | Min. Max. $\eta$ Max.         | H(Q=0) $\eta$ Max. | P2(Q=0) Max. $\eta$ Max.     |
|                              | US g.p.m. US g.p.m. US g.p.m. | ft ft              | hp hp hp                     |
|                              | 17.6 70.3 46.9                | 157 114            | 0                            |
|                              |                               |                    | Speed rpm 3500               |
|                              |                               |                    | Frequency Hz 60 Hz           |

Performance data based to: Water, pure [100%] ; 68°F; 62.3lb/ft³; 1.08E-5ft²/s

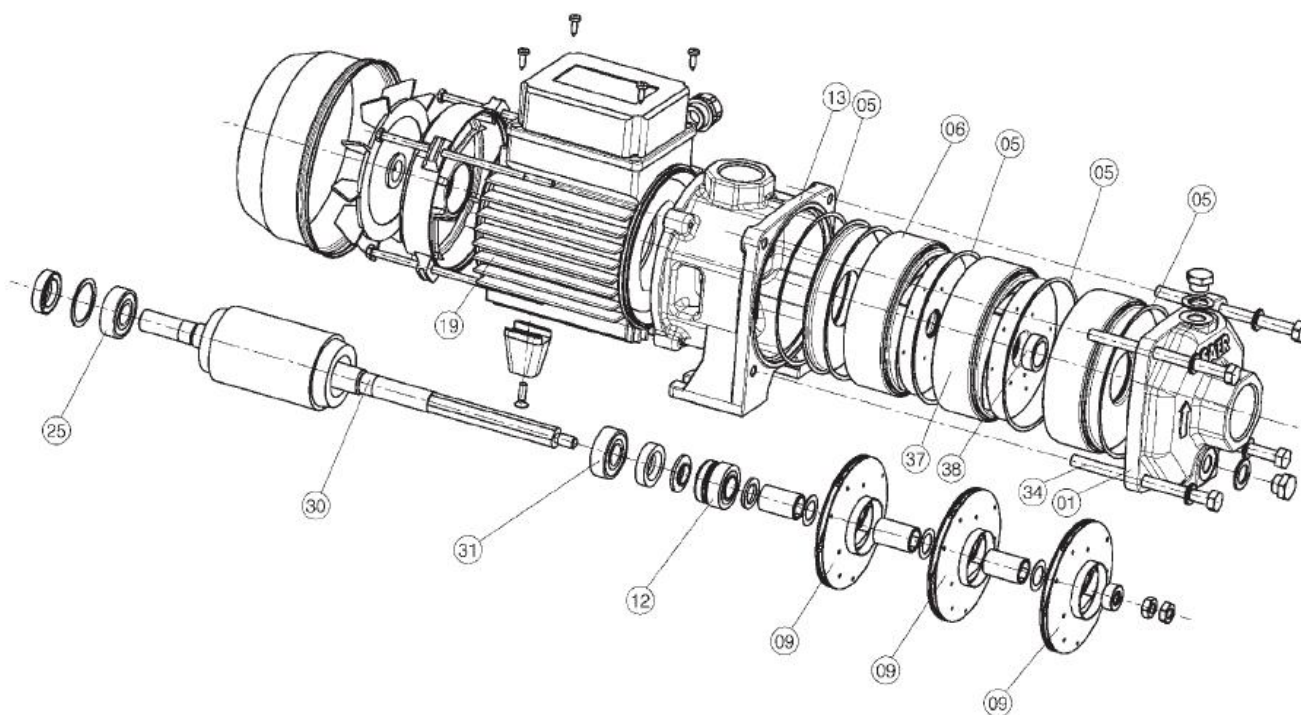
UNI EN ISO 9906:2012 - Grade 3B



|         |            |            |            |             |
|---------|------------|------------|------------|-------------|
| Project | Project ID | Created by | Created on | Last update |
|         |            |            | 2022-07-13 |             |

Company name  
Respons. Department  
Person in charge  
Phone number  
Fax no  
E-mail address

|  |  |
|--|--|
|  |  |
|  |  |
|  |  |
|  |  |
|  |  |
|  |  |



Project

Project ID

Created by

Created on  
**2022-07-13**

Last update