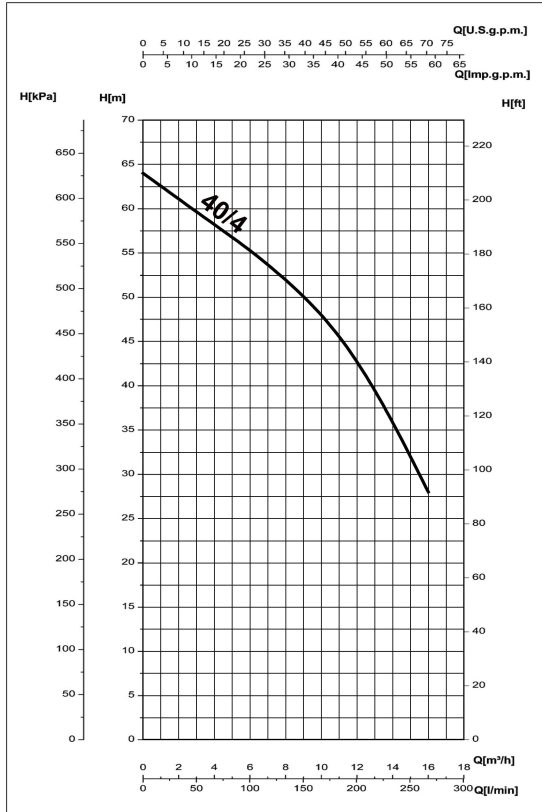


Receiver

From

 Company name  
 Respons. Department  
 Person in charge  
 Phone number  
 Fax no  
 E-mail address



**Operating data specification**

Nominal flow	US g.p.m. 0
Nominal head	ft 0
Static head	ft 0
NPSH - v value of plant	ft 0
Inlet pressure	psi 1.42
Fluid	Water, pure
Operating temperature t A	°F 68
Density at t A	lb/ft³ 62.32
Kin. viscosity at t A	ft²/s 1.082E-5

**Pump**

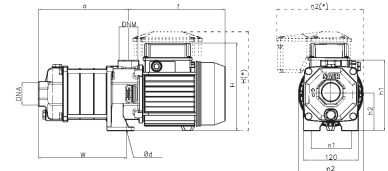
Pump name		6OP40/4	
Size			
Design			
Speed	rpm 3500	No of stages	4
Impeller type			
Flow	Nominal	US g.p.m.	
	Max-	US g.p.m.	70.3
	Min-	US g.p.m.	17.6
Head	Nominal	ft	
	Max-	ft	191
	Min-	ft	91.2
Head H(Q=0)		ft	210
NPSH 3%		ft	
Max. working pressure		psi	91
Shaft power		hp	
Efficiency		%	
Max absorbed power		hp	0

**Materials Pump**

Shaft	Stainless steel AISI 431 (1.4057)
Impeller	Stainless steel AISI 304 (1.4301)
Diffuser	Stainless steel AISI 304 (1.4301)
Gasket	Natural fiber
Suction	Cast iron EN-GJL-250
Delivery	Cast iron EN-GJL-250
Mechanical seal	Stahl

**Dimensions in inch**

a	9 <sup>5</sup> / <sub>8</sub>
DNA	G1"1/2
DNM	G1"1/2
f	11 <sup>11</sup> / <sub>16</sub>
H	9 <sup>3</sup> / <sub>4</sub>
h1	7 <sup>15</sup> / <sub>16</sub>
h2	3 <sup>15</sup> / <sub>16</sub>
n1	4 <sup>1</sup> / <sub>2</sub>
n2	8 <sup>1</sup> / <sub>8</sub>
Ød	7 <sup>1</sup> / <sub>16</sub>
w	10 <sup>1</sup> / <sub>4</sub>



<b>Motor</b>	Frame size	80		
Manufacturer / Type	SAER	MEC80-2P-2.2M		
Rated power	hp 2.9502	Efficiency 4/4	0 %	
Electric current	A 14.5 A	Speed	rpm	3600
Electric voltage	V 230V	1~	Hz	60
Starting mode	Unknown			
Degree of protection	IP 55	Insulation class	F	

Remarks:

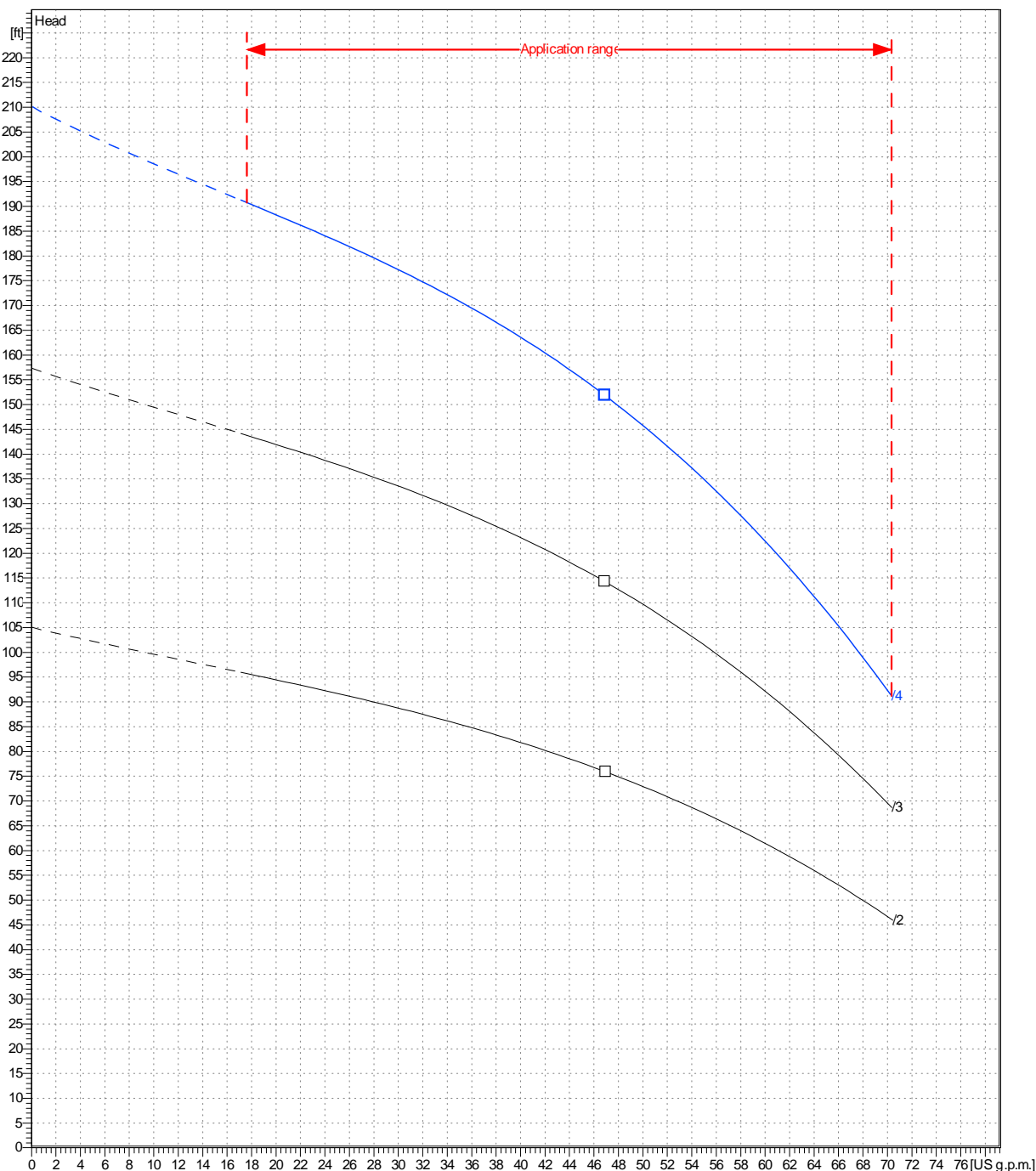
Project	Project ID	Created by	Created on	Last update
			2022-07-13	

<b>Receiver</b>	<b>From</b>
Company name	
Respons. Department	
Person in charge	
Phone number	
Fax no	
E-mail address	

Operating area	Flow	Head	Impeller type
Operating data specification	0 US g.p.m.	0 ft	Impeller construction
Pump data	US g.p.m.	ft	Sense of rotation
			Clockwise from the drive end
			Outlet width
			G1½"
	Flow	Head	Shaft power P2
	Min. Max. $\eta$ Max.	H(Q=0) $\eta$ Max.	P2(Q=0) Max. $\eta$ Max.
	US g.p.m. US g.p.m. US g.p.m.	ft ft	hp hp hp
	17.6 70.3 46.9	210 152	0
			Speed rpm 3500
			Frequency Hz 60 Hz

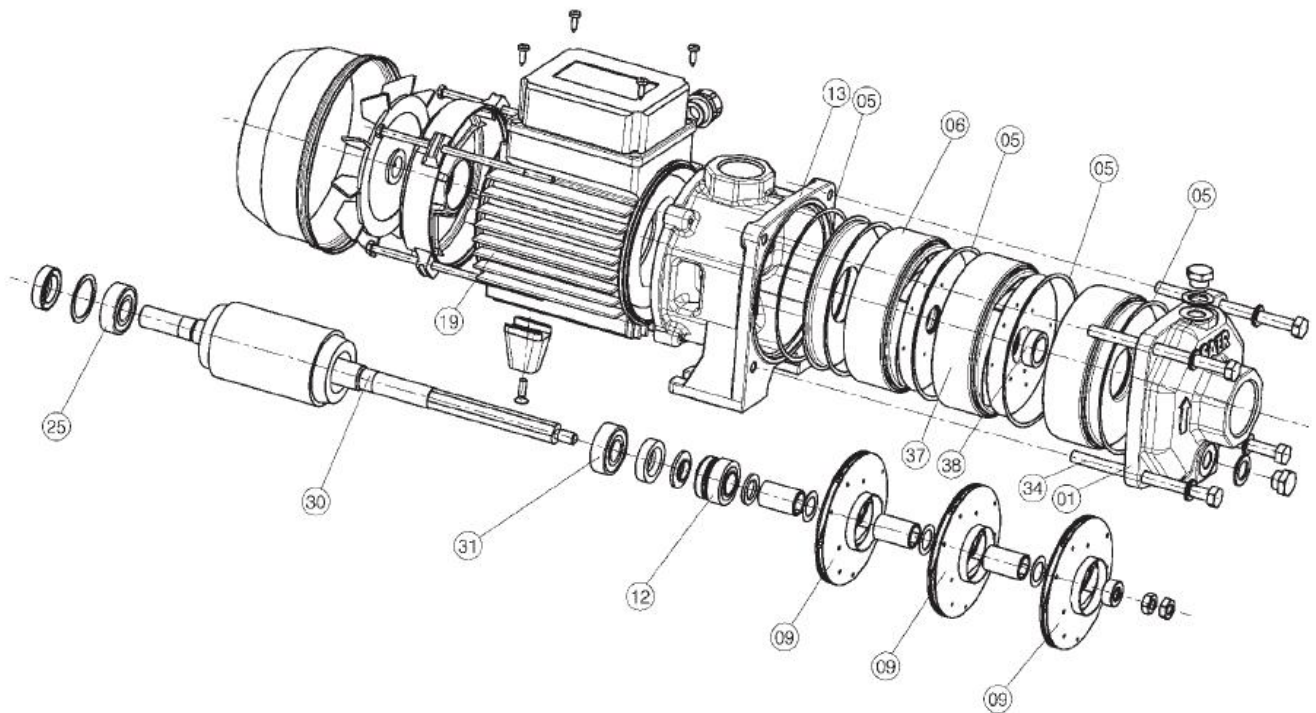
Performance data based to: Water, pure [100%] ; 68°F; 62.3lb/ft³; 1.08E-5ft²/s

UNI EN ISO 9906:2012 - Grade 3B



Project	Project ID	Created by	Created on	Last update
			<b>2022-07-13</b>	

Company name  
Respons. Department  
Person in charge  
Phone number  
Fax no  
E-mail address

Project	Project ID	Created by	Created on <b>2022-07-13</b>	Last update
---------	------------	------------	---------------------------------	-------------