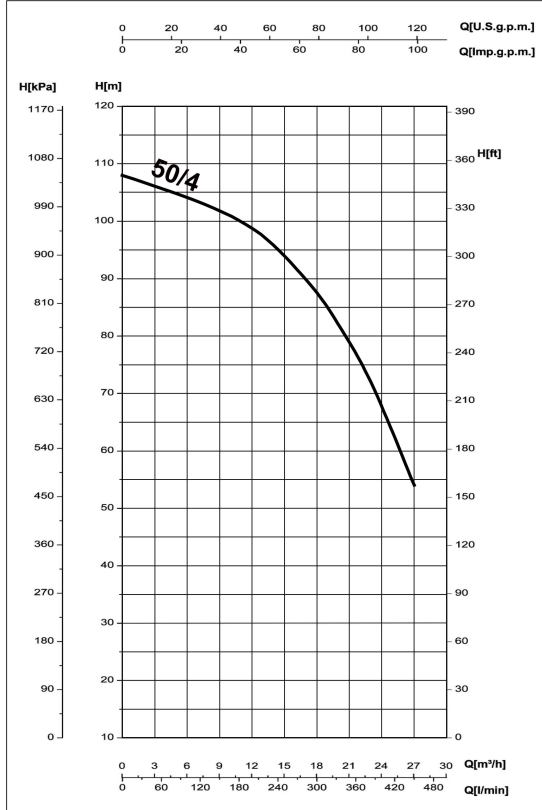


Receiver

From

 Company name
 Respons. Department
 Person in charge
 Phone number
 Fax no
 E-mail address

	-


Operating data specification

Nominal flow	US g.p.m.	0
Nominal head	ft	0
Static head	ft	0
NPSH - v value of plant	ft	0
Inlet pressure	psi	1.42
Fluid		Water, pure
Operating temperature t A	°F	68
Density at t A	lb/ft³	62.32
Kin. viscosity at t A	ft²/s	1.082E-5

Pump

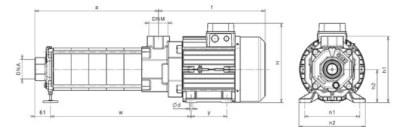
Pump name		6OP50/4		
Size				
Design				
Speed	rpm	3600	No of stages	4
Impeller type				
Flow	Nominal	US g.p.m.		
	Max-	US g.p.m.	119	
	Min-	US g.p.m.	35.2	
Head	Nominal	ft		
	Max-	ft	337	
	Min-	ft	176	
Head H(Q=0)	ft	354		
NPSH 3%	ft			
Max. working pressure	psi	153		
Shaft power	hp			
Efficiency	%			
Max absorbed power	hp	0		

Materials Pump

Shaft	Stainless steel AISI 431 (1.4057)
Impeller	Cast iron EN-GJL-250
Diffuser	Cast iron EN-GJL-250
Gasket	Natural fiber
Suction	Cast iron EN-GJL-250
Delivery	Cast iron EN-GJL-250
Mechanical seal	Stahl

Dimensions in inch

a	13 ⁹ / ₁₆
DNA	G2"
DNM	G2"
f	14 ⁹ / ₁₆
H	10 ⁵ / ₁₆
h1	9 ¹³ / ₁₆
h2	4 ⁷ / ₁₆
n1	7 ¹ / ₂
n2	8 ¹¹ / ₁₆
Ød	1/2
w	16 ⁵ / ₁₆
y	5 ¹ / ₂



Motor	Frame size	112 M		
Manufacturer / Type	SAER	MEC112M-2P-7.5		
Rated power	hp	10.058	Efficiency 4/4	87.5 %
Electric current	A	12.6 A	Speed	rpm 3600
Electric voltage	V	460V	3~	Hz 60
Starting mode	Unknown			
Degree of protection	IP 55	Insulation class	F	

Remarks:

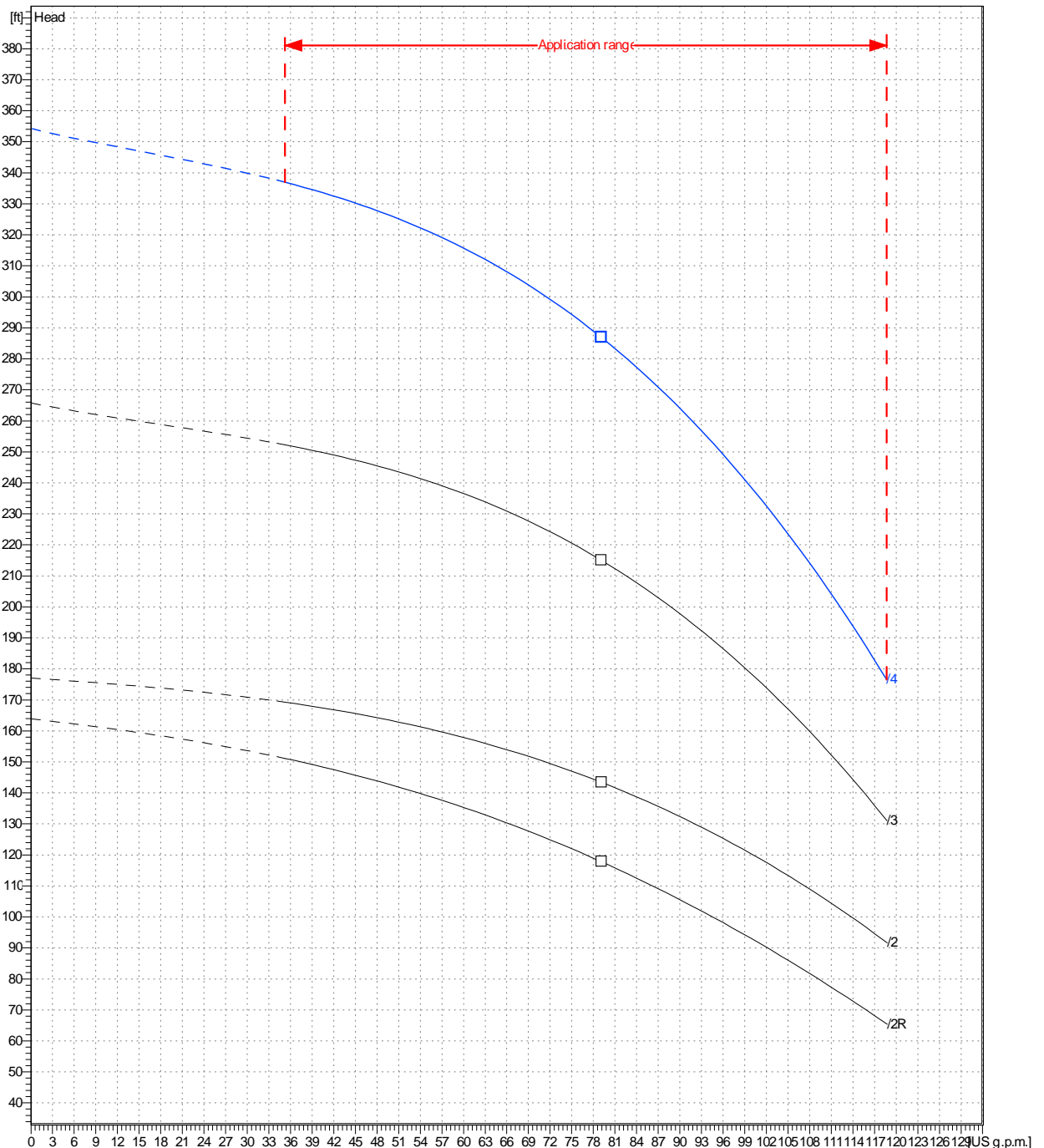
Project	Project ID	Created by	Created on	Last update
			2022-07-13	

Receiver	From
Company name	-
Respons. Department	-
Person in charge	-
Phone number	-
Fax no	-
E-mail address	-

Operating area	Flow	Head	Impeller type
Operating data specification	0 US g.p.m.	0 ft	Impeller construction
Pump data	US g.p.m.	ft	Sense of rotation
			Clockwise from the drive end
			Outlet width
			G2"
	Flow	Head	Shaft power P2
	Min. Max. η Max.	H(Q=0) η Max.	P2(Q=0) Max. η Max.
	US g.p.m. US g.p.m. US g.p.m.	ft ft	hp hp hp
	35.2 119 79.1	354 287	0
			Speed rpm 3600
			Frequency Hz 60 Hz

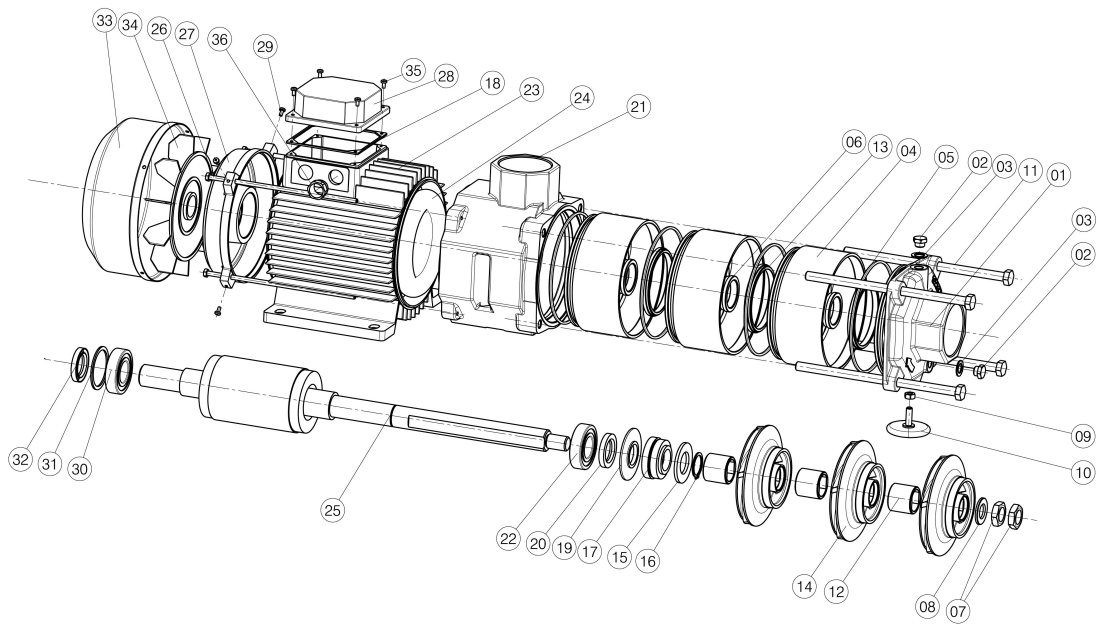
 Performance data based to: Water, pure [100%]; 68°F; 62.3lb/ft³; 1.08E-5ft²/s

UNI EN ISO 9906:2012 - Grade 3B



Project	Project ID	Created by	Created on	Last update
			2022-07-13	

Company name
Respons. Department
Person in charge
Phone number
Fax no
E-mail address



Project

Project ID

Created by

Created on
2022-07-13

Last update