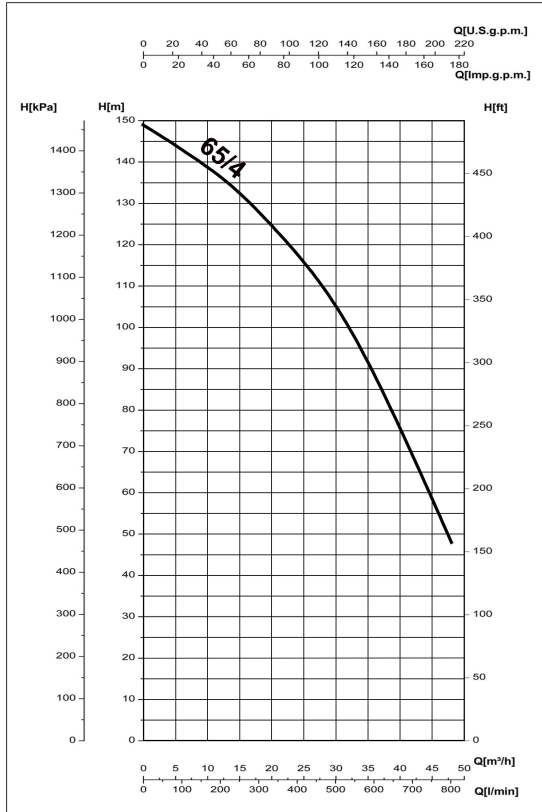


Receiver

From

 Company name  
 Respons. Department  
 Person in charge  
 Phone number  
 Fax no  
 E-mail address

	-


**Operating data specification**

Nominal flow	US g.p.m.	0
Nominal head	ft	0
Static head	ft	0
NPSH - v value of plant	ft	0
Inlet pressure	psi	1.42
Fluid		Water, pure
Operating temperature t A	°F	68
Density at t A	lb/ft³	62.32
Kin. viscosity at t A	ft²/s	1.082E-5

**Pump**

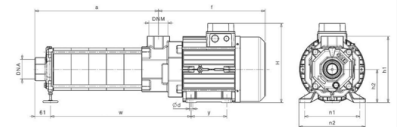
Pump name		6OP65/4		
Size				
Design				
Speed	rpm	3500	No of stages	4
Impeller type				
Flow	Nominal	US g.p.m.		
	Max-	US g.p.m.	211	
	Min-	US g.p.m.	52.8	
Head	Nominal	ft		
	Max-	ft	447	
	Min-	ft	156	
Head H(Q=0)	ft	490		
NPSH 3%	ft			
Max. working pressure	psi	212		
Shaft power	hp			
Efficiency	%			
Max absorbed power	hp	0		

**Materials Pump**

Shaft	Stainless steel AISI 431 (1.4057)
Impeller	Cast iron EN-GJL-250
Diffuser	Cast iron EN-GJL-250
Gasket	Natural fiber
Suction	Cast iron EN-GJL-250
Delivery	Cast iron EN-GJL-250
Mechanical seal	Stahl

**Dimensions in inch**

a	16 <sup>5</sup> / <sub>16</sub>
DNA	G2"1/2
DNM	G2"1/2
f	14 <sup>9</sup> / <sub>16</sub>
H	12 <sup>3</sup> / <sub>16</sub>
h1	10 <sup>1</sup> / <sub>4</sub>
h2	5 <sup>3</sup> / <sub>16</sub>
n1	8 <sup>1</sup> / <sub>2</sub>
n2	10 <sup>1</sup> / <sub>4</sub>
Ød	1/2
w	19



<b>Motor</b>	Frame size	132 M		
Manufacturer / Type	SAER	MEC132M-2P-13.5		
Rated power	hp	18.104	Efficiency 4/4	87.5 %
Electric current	A	22.5 A	Speed	rpm 3600
Electric voltage	V	460V	3~	Hz 60
Starting mode	Unknown			
Degree of protection	IP 55	Insulation class	F	

Remarks:

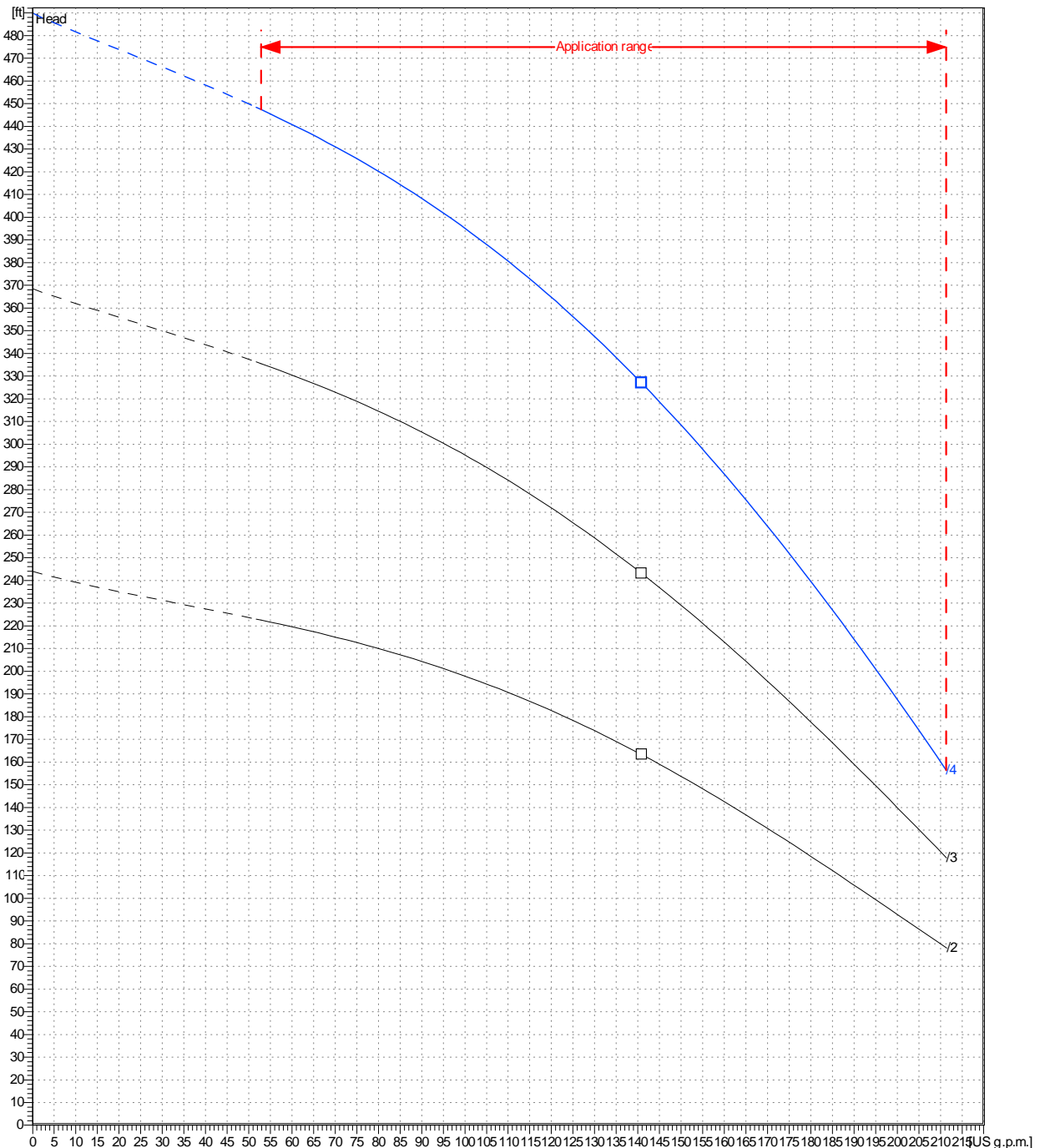
Project	Project ID	Created by	Created on	Last update
			2022-07-13	

<b>Receiver</b>	<b>From</b>
Company name	-
Respons. Department	-
Person in charge	-
Phone number	-
Fax no	-
E-mail address	-

Operating area	Flow	Head	Impeller type
Operating data specification	0 US g.p.m.	0 ft	Impeller construction
Pump data	US g.p.m.	ft	Sense of rotation
			Clockwise from the drive end
			Outlet width
			G2½"
	Flow	Head	Shaft power P2
	Min. Max. $\eta$ Max.	H(Q=0) $\eta$ Max.	P2(Q=0) Max. $\eta$ Max.
	US g.p.m. US g.p.m. US g.p.m.	ft ft	hp hp hp
	52.8 211 141	490 327	0
			Speed rpm 3500
			Frequency Hz 60 Hz

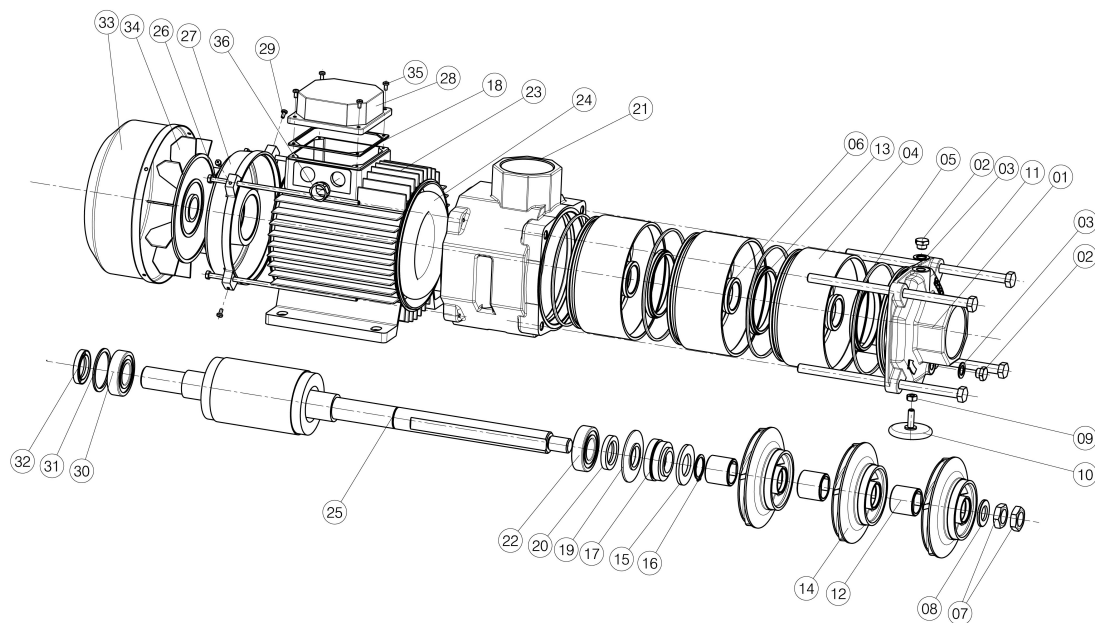
Performance data based to: Water, pure [100%]; 68°F; 62.3lb/ft³; 1.08E-5ft²/s

UNI EN ISO 9906:2012 - Grade 3B



Project	Project ID	Created by	Created on	Last update
			2022-07-13	

Company name  
Respons. Department  
Person in charge  
Phone number  
Fax no  
E-mail address



Project

Project ID

Created by

Created on  
**2022-07-13**

Last update