



Technical Data

Vertical Multistage - SBN 32-7

Revision no.

Page:
1

Receiver

From

Company name
Respons. Department
Person in charge
Phone number
Fax no
E-mail address



Brand: Gol Pumps
Model: SBN 32-7



Dimensions:

* The Flange (ANSI) 300lb is not included. If you wish, you have to select the option when adding the product to the cart.

Flange (DIN)
PN16-25-40 / DN65

* Flange (ANSI)
2 1/2" 300 lb.R.F.
Stages 6-2~11-2

Pump Installation Size (inch)						
DIN Flange		Port Size		D1	D2	Net Weight
H1	H2	DNA	DNM			Lb.
40.7	62	2 1/2	2 1/2	12.5	9.5	475.6

Project	Project ID	Created by	Created on	Last update
---------	------------	------------	------------	-------------



Performance Curves

Vertical Multistage - SBN 32-7

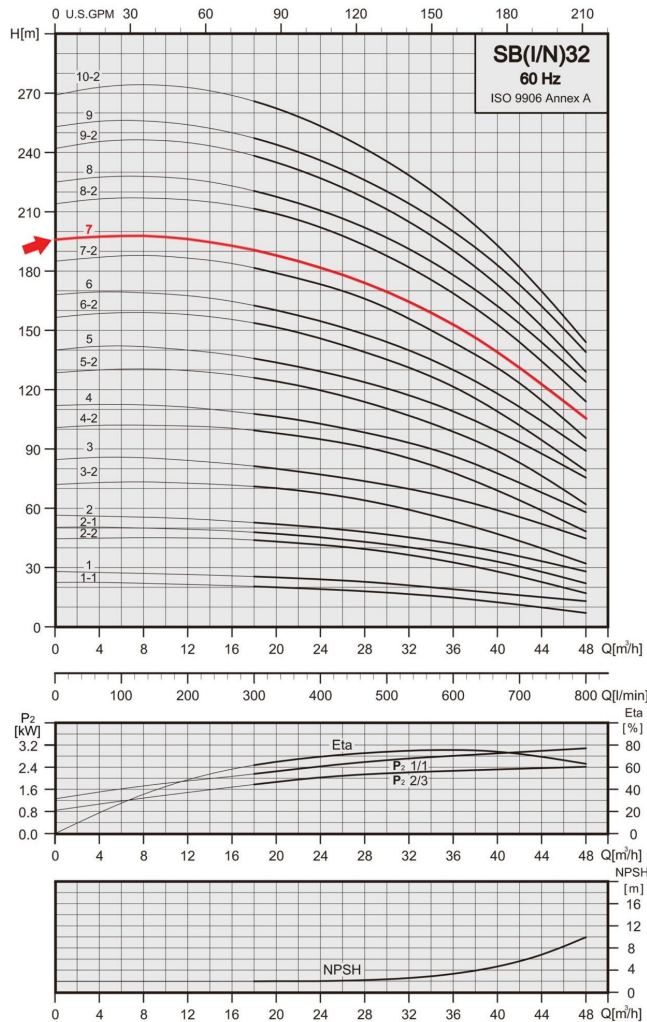
Revision no. _____

Page: 2

Receiver	From

Company name _____
 Respons. Department _____
 Person in charge _____
 Phone number _____
 Fax no _____
 E-mail address _____

Model	Port Size (in.)		Flow	HP	Volts	Amps	Phase	Max. Head	Max. Suction	Max. PSI
	DNA	DNM	GPH		V	I Max.	Ph	Ft.	Ft.	
SBN 32-7	2 1/2	2 1/2	12600	30	220/480	70.4/33.8	Three	649	17	285



Project	Project ID	Created by	Created on	Last update
---------	------------	------------	------------	-------------



Parts and Materials

Vertical Multistage - SBN 32-7

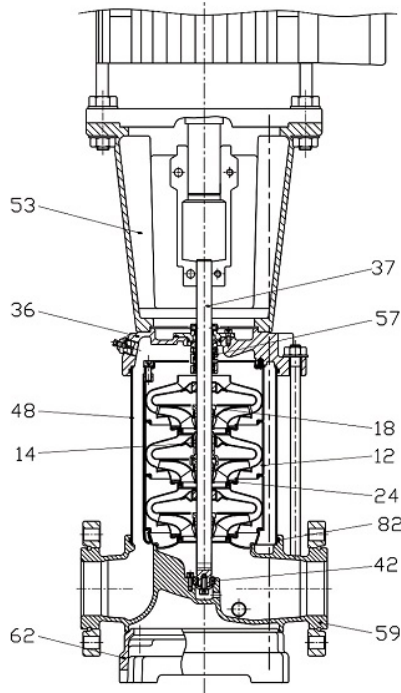
Revision no.

Page:

3

Receiver

From

 Company name
 Respons. Department
 Person in charge
 Phone number
 Fax no
 E-mail address


Parts List	Material	Standard
36 Pump Head	Stainless Steel	AISI 316
53 Motor Bracket	Cast Iron	ASTM 35B
18 Impeller	Stainless Steel	AISI 316
37 Shaft	Stainless Steel	AISI 316
48 Outer Sleeve	Stainless Steel	AISI 316
82 O-ring for Outer Sleeve	EPDM	
12 Chamber	Stainless Steel	AISI 316
24 Neck Ring	Carbon Fiber + POB + PTFE	
59 Base	Stainless Steel	AISI 316
62 Base Plate	Cast Iron	ASTM 35B
57 Mechanical Seal	Cartridge Type	
14 Bearing Ring	POB + Graphite + PTFE	
42 Bottom Bearing Ring	Tungsten Carbide	

Project

Project ID

Created by

Created on

Last update