

Receiver

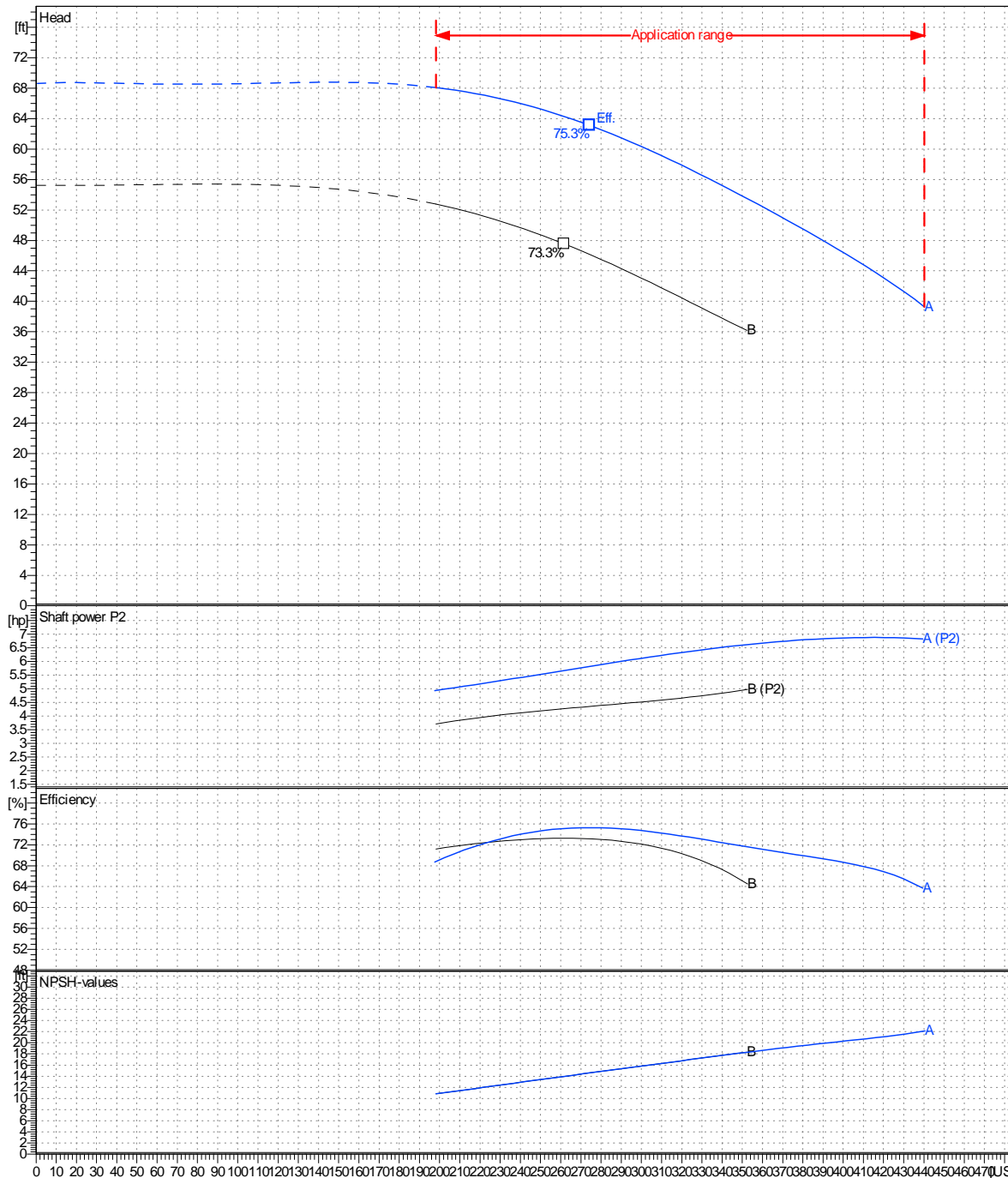
From

 Company name
 Respons. Department
 Person in charge
 Phone number
 Fax no
 E-mail address

Operating area	Flow	Head	Impeller type
Operating data specification	0 US g.p.m.	0 ft	Impeller construction Closed
Pump data	US g.p.m.		Sense of rotation Clockwise from the drive end
	ft		Outlet width DN 65
	Flow		Speed
	Min.	Max.	rpm
	US g.p.m.	US g.p.m.	Hz
	198	440	1800
	Max. η	H(Q=0)	Frequency
	274	68.6	60 Hz
	Max. η	Max. η	
	63.1	6.88	
		5.82	

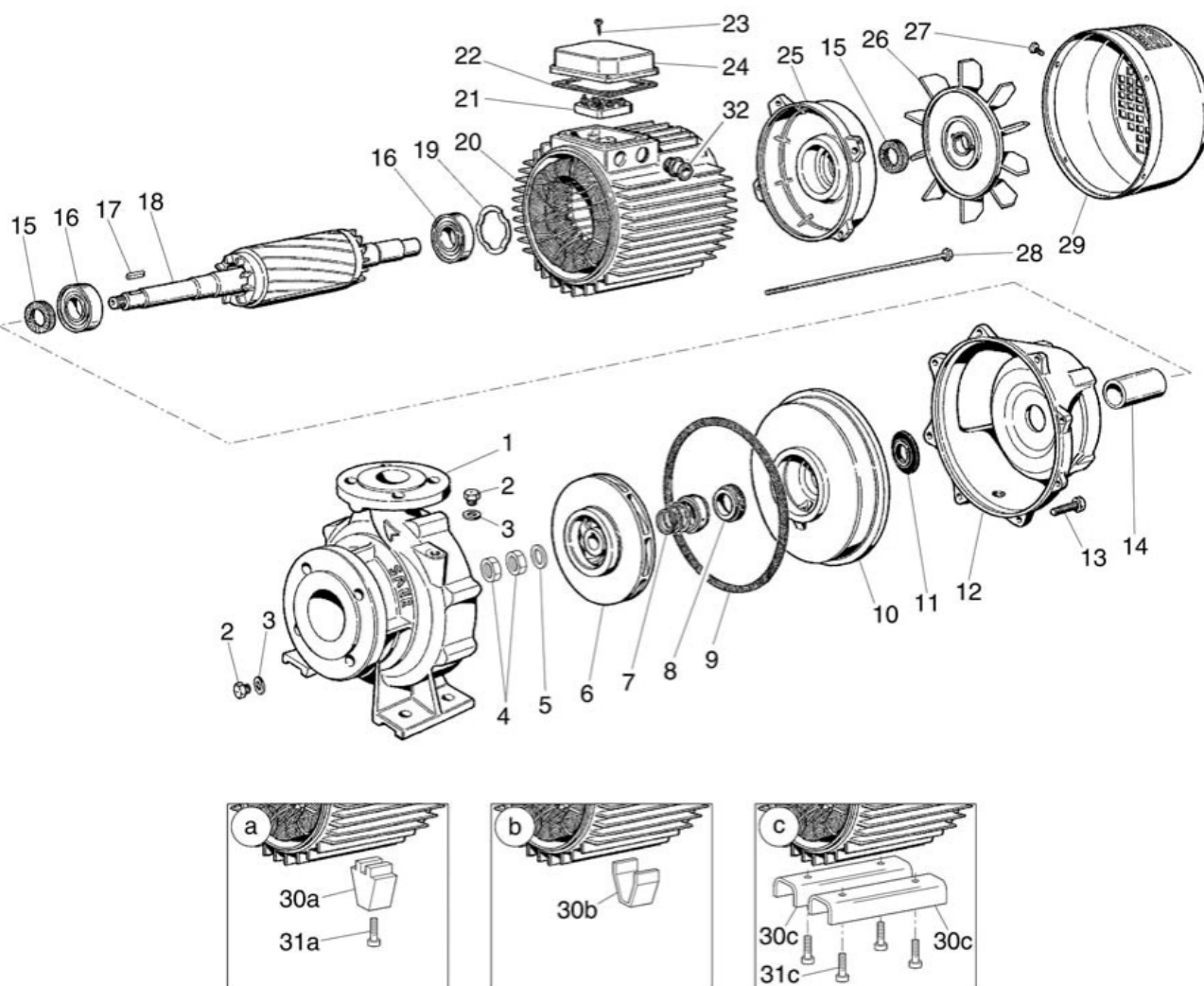
 Performance data based to: Water, pure [100%]; 68°F; 62.3lb/ft³; 1.08E-5ft²/s

UNI EN ISO 9906:2012 - Grade 3B



Project	Project ID	Created by	Created on	Last update
			2022-08-01	

Company name
Respons. Department
Person in charge
Phone number
Fax no
E-mail address



Project

Project ID

Created by

Created on
2022-08-01

Last update