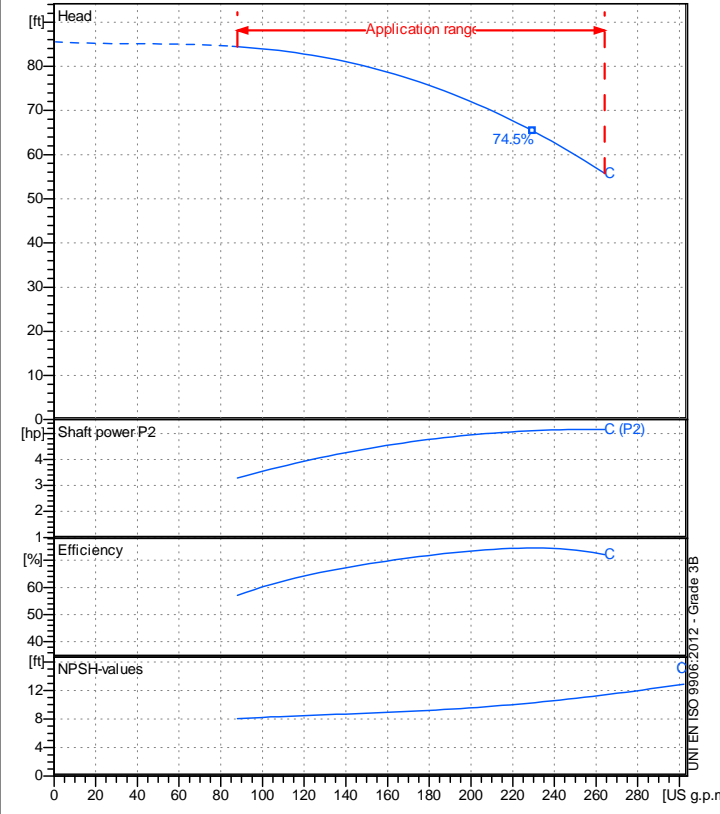


Company name
 Respons. Department
 Person in charge
 Phone number
 Fax no
 E-mail address

Receiver	From



Operating data specification

Nominal flow	US g.p.m. 0
Nominal head	ft 0
Static head	ft 0
NPSH - v value of plant	ft 0
Inlet pressure	psi 1.42
Fluid	Water, pure
Operating temperature t A	°F 68
Density at t A	lb/ft³ 62.32
Kin. viscosity at t A	ft²/s 1.082E-5

Pump		
Pump name	NCB 50-125 C	
Size	65/50/125	
Design		
Speed rpm	3600	
No of stages	1	
Impeller type		
Flow	Nominal	US g.p.m.
	Max-	US g.p.m. 264
	Min-	US g.p.m. 88.1
Head	Nominal	ft
	Max-	ft 84.4
	Min-	ft 55.8
Head H(Q=0)	ft 85.6	
NPSH 3%	ft	
Max. working pressure	psi 37	
Shaft power	hp	
Efficiency	%	
Max absorbed power	hp 5.1537	

Materials Pump

Shaft	Stainless steel AISI 431 (1.4057)		
Impeller	Cast iron EN-GJL-250		
Pump body	Cast iron EN-GJL-250		
Seal disc	Cast iron EN-GJL-250		
Gasket	Natural fiber		
Mech. seal EN 12756			
Seal face	Carbon graphite resin impreg.		
Seat	Alumina Oxide		
Rubber elements	EPDM Rubber		
Spring and metal bellows	Stainless steel AISI 316		
Motor	Frame size		
Manufacturer / Type			
Rated power	hp	Efficiency	4/4
Electric current	A	Speed	rpm
Electric voltage	V		Hz
Starting mode			
Degree of protection	Insulation class		

Dimensions in inch

a	3 ¹⁵ / ₁₆	n2	7 ¹ / ₂
A	3/8"	s	9 ¹ / ₁₆
B	3/8"	t	1 ¹ / ₁₆
b	1 ¹⁵ / ₁₆	u	5 ¹ / ₁₆
C	1/4"	w	10 ¹ / ₄
d k6	1 ¹⁵ / ₁₆	x	3 ¹⁵ / ₁₆
D	3/8"		
DNA	DN 65		
DNM	DN 50		
f	14 ³ / ₁₆		
h1	5 ³ / ₁₆		
h2	6 ⁵ / ₁₆		
l	1 ¹⁵ / ₁₆		
m1	3 ¹⁵ / ₁₆		
m2	2 ³ / ₄		
n1	9 ⁷ / ₁₆		

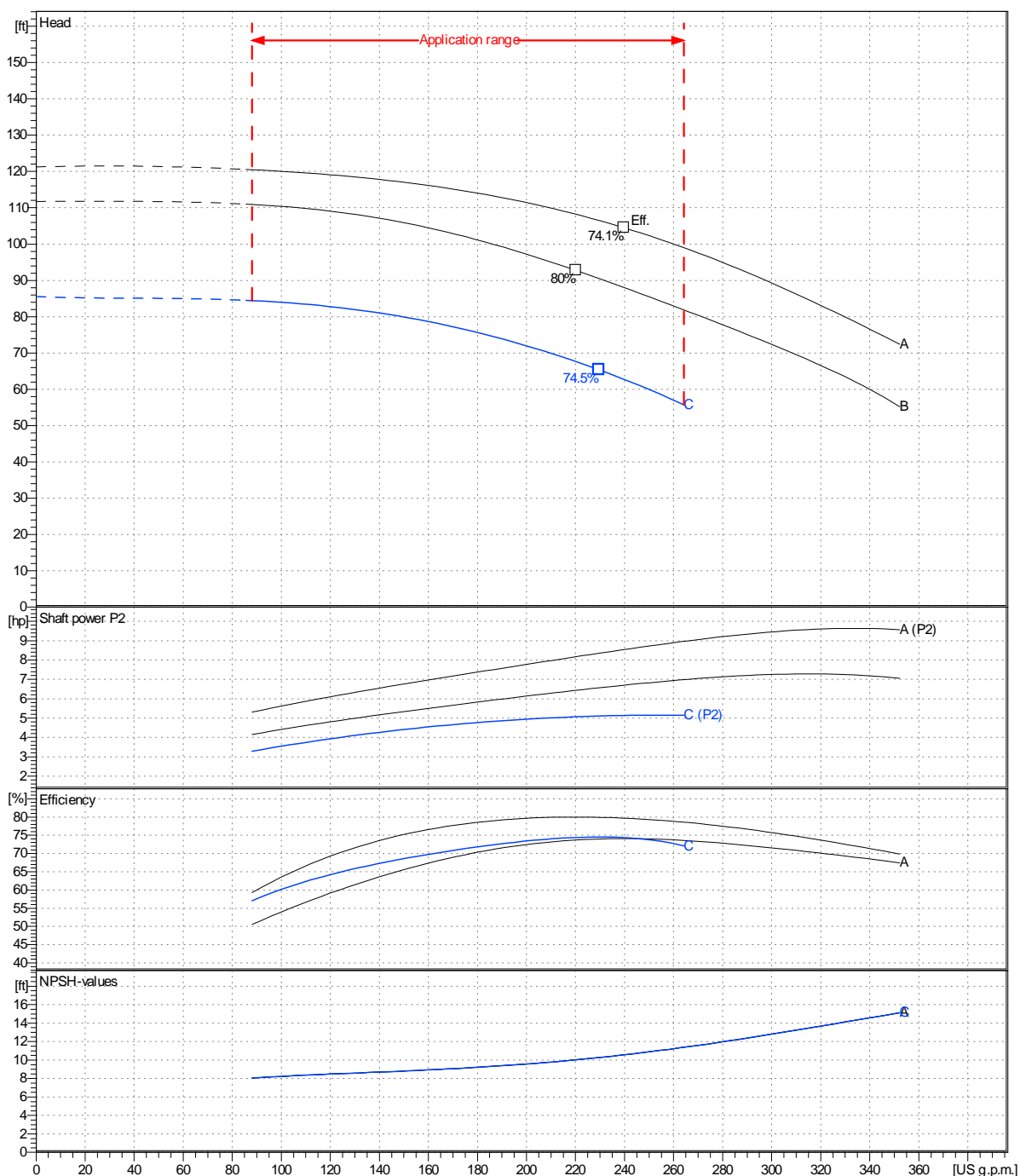
C	4	C	4 ¹³ / ₁₆
D	6 ¹ / ₂	D	7 ⁵ / ₁₆
DN	1 ¹⁵ / ₁₆	DN	2 ³ / ₁₆
K	4 ¹⁵ / ₁₆	K	5 ¹ / ₁₆
n°	3 ¹ / ₁₆	n°	3 ¹ / ₁₆
ø n	3 ¹ / ₄	ø n	3 ¹ / ₄

Remarks:	
Project	Project ID
Created by	Created on
	2022-08-31
	Last update

Receiver		From	
Company name			
Respons. Department			
Person in charge			
Phone number			
Fax no			
E-mail address			
Operating area	Flow	Head	Impeller type
Operating data specification	0 US g.p.m.	0 ft	Impeller construction
			Sense of rotation
Pump data	US g.p.m.	ft	Outlet width
			DN 50
	Flow	Head	Shaft power P2
	Speed	rpm	3600
	Frequency	Hz	
	Min. Max. η Max.	H(Q=0) η Max.	P2(Q=0) Max. η Max.
	US g.p.m. US g.p.m. US g.p.m.	ft ft	hp hp hp
	88.1 264 230	85.6 65.4	5.15 5.11

 Performance data based to: Water, pure [100%]; 68°F; 62.3lb/ft³; 1.08E-5ft²/s

UNI EN ISO 9906:2012 - Grade 3B



Project

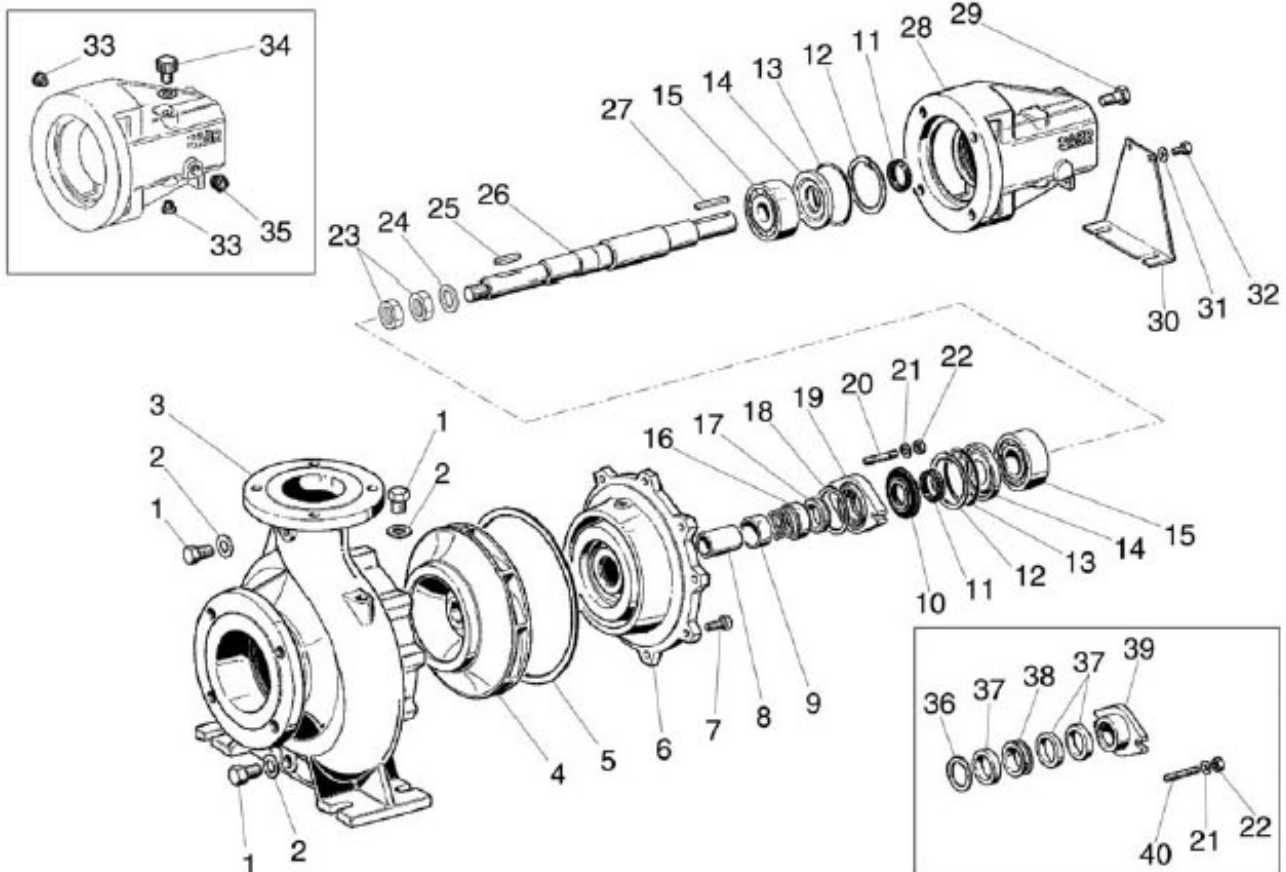
Project ID

Created by

 Created on
2022-08-31

Last update

Company name
Respons. Department
Person in charge
Phone number
Fax no
E-mail address



Project

Project ID

Created by

Created on
2022-08-31

Last update