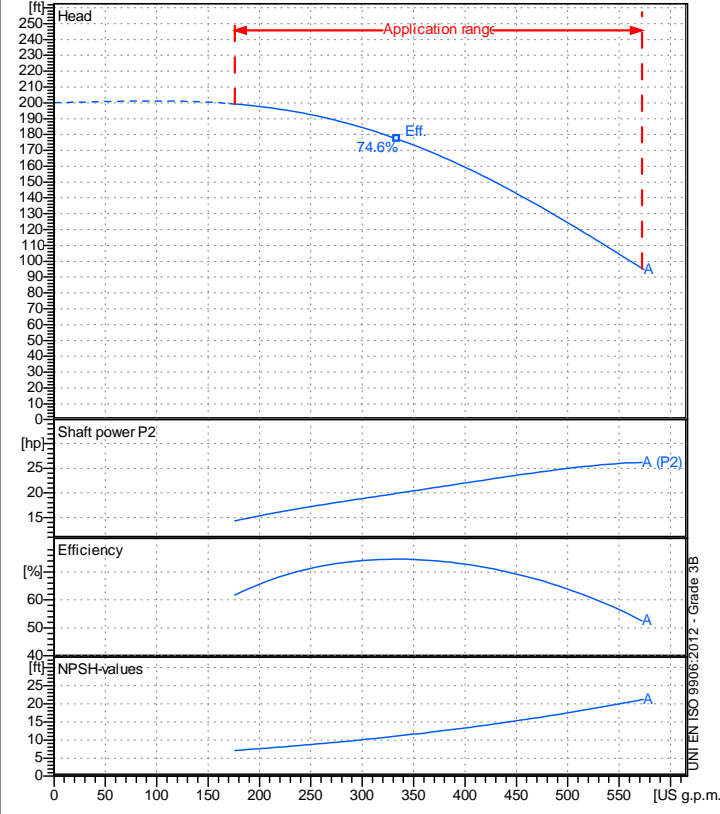


Company name
 Respons. Department
 Person in charge
 Phone number
 Fax no
 E-mail address

Receiver	From



Operating data specification

Nominal flow	US g.p.m. 0
Nominal head	ft 0
Static head	ft 0
NPSH - v value of plant	ft 0
Inlet pressure	psi 1.42
Fluid	Water, pure
Operating temperature t A	°F 68
Density at t A	lb/ft³ 62.32
Kin. viscosity at t A	ft²/s 1.082E-5

Pump		NCB 50-160 N A	
Pump name	NCB 50-160 N A		
Size	65/50/160		
Design			
Speed rpm	3600	No of stages	1
Impeller type			
Flow	Nominal	US g.p.m.	
	Max-	US g.p.m.	574
	Min-	US g.p.m.	176
Head	Nominal	ft	
	Max-	ft	199
	Min-	ft	94.8
Head H(Q=0)	ft		200
NPSH 3%	ft		
Max. working pressure	psi		86.7
Shaft power	hp		
Efficiency	%		
Max absorbed power	hp		26.201

Materials Pump

Shaft	Stainless steel AISI 431 (1.4057)		
Impeller	Cast iron EN-GJL-250		
Pump body	Cast iron EN-GJL-250		
Seal disc	Cast iron EN-GJL-250		
Gasket	Natural fiber		
Mech. seal EN 12756			
Seal face	Carbon graphite resin impreg.		
Seat	Alumina Oxide		
Rubber elements	EPDM Rubber		
Spring and metal bellows	Stainless steel AISI 316		
Motor	Frame size		
Manufacturer / Type			
Rated power	hp	Efficiency	4/4
Electric current	A	Speed	rpm
Electric voltage	V		Hz
Starting mode			
Degree of protection	Insulation class		

Dimensions in inch

a	3 ¹⁵ / ₁₆	n2	8 ³ / ₈
A	3/8"	s	9/16
B	3/8"	t	1 ¹ / ₁₆
b	1 ⁵ / ₁₆	u	5/16
C	1/4"	w	10 ¹ / ₄
d k6	1 ⁵ / ₁₆	x	3 ¹⁵ / ₁₆
D	3/8"		
DNA	DN 65		
DNM	DN 50		
f	14 ³ / ₁₆		
h1	6 ⁵ / ₁₆		
h2	7 ¹ / ₁₆		
l	1 ¹⁵ / ₁₆		
m1	3 ¹⁵ / ₁₆		
m2	2 ³ / ₄		
n1	10 ⁷ / ₁₆		

C	4	C	4 ¹³ / ₁₆
D	6 ¹ / ₂	D	7 ⁵ / ₁₆
DN	1 ⁵ / ₁₆	DN	2 ³ / ₁₆
K	4 ¹⁵ / ₁₆	K	5 ¹ / ₁₆
n°	3/16	n°	3/16
ø n	3/4	ø n	3/4

Remarks:			
Project	Project ID	Created by	Created on
			2022-08-31
			Last update

Receiver

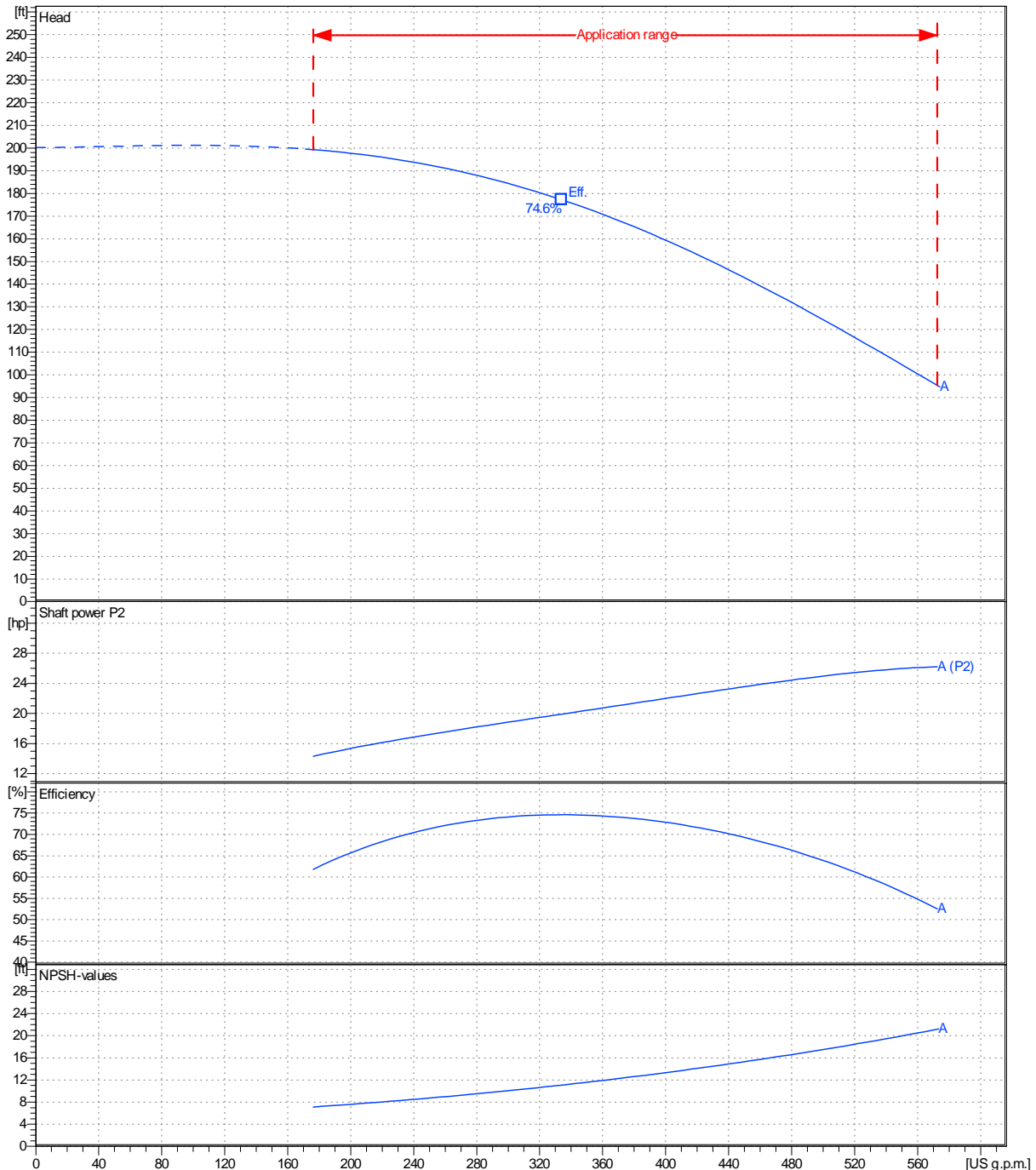
From

 Company name
 Respons. Department
 Person in charge
 Phone number
 Fax no
 E-mail address

Operating area	Flow	Head	Impeller type
Operating data specification	0 US g.p.m.	0 ft	Impeller construction Closed
Pump data	US g.p.m.	ft	Sense of rotation Clockwise from the drive end
			Outlet width DN 50
	Flow	Head	Shaft power P2
	Min. Max. η Max.	H(Q=0) η Max.	P2(Q=0) Max. η Max.
	US g.p.m. US g.p.m. US g.p.m.	ft ft	hp hp hp
	176 572 334	200 177	26.2 19.9
			Speed rpm 3600
			Frequency Hz

 Performance data based to: Water, pure [100%]; 68°F; 62.3lb/ft³; 1.08E-5ft²/s

UNI EN ISO 9906:2012 - Grade 3B



Project

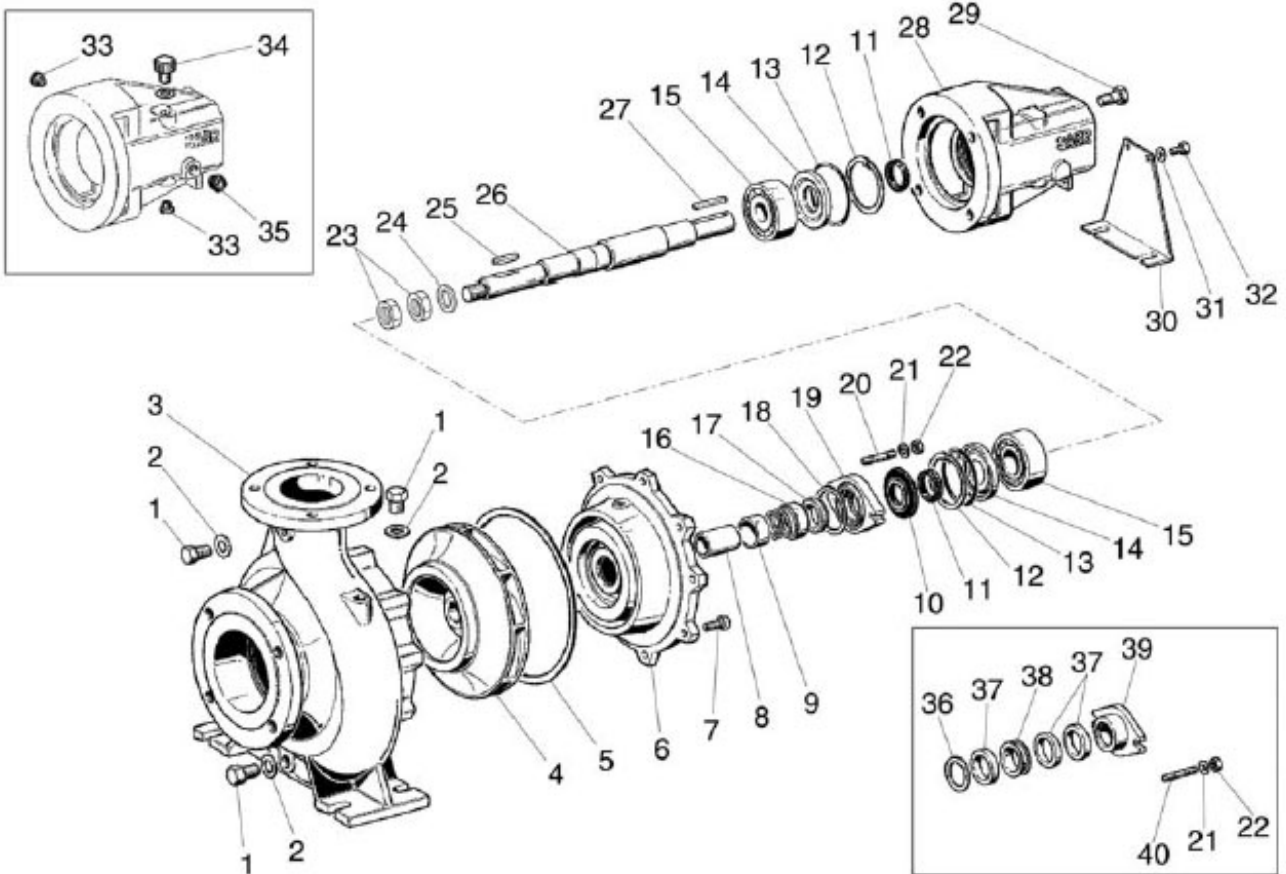
Project ID

Created by

 Created on
2022-08-31

Last update

Company name
Respons. Department
Person in charge
Phone number
Fax no
E-mail address



Project	Project ID	Created by	Created on 2022-08-31	Last update
---------	------------	------------	--------------------------	-------------