



Technical Data

Split Casing Pump - ES100-310

Revision no.

Page:
 1

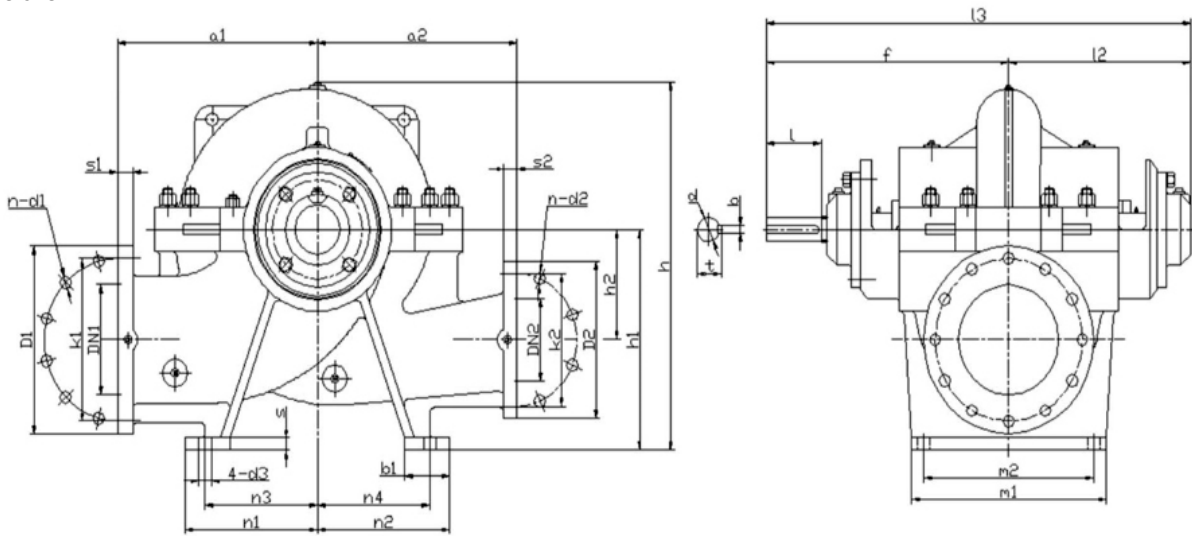
	Receiver	From
Company name		
Respons. Department		
Person in charge		
Phone number		
Fax no		
E-mail address		



Brand: Gol Pumps
Model: ES100-310

Weight (lb)	
Pump	567

Dimensions:



	Flange standard: ISO7005.2 DIN2501 PN16 GB/T17241.6 PN1.6											
DN1 / DN2	3	4	5	6	8	10	12	14	16	18	20	24
K1 / K2	6.3	7.1	8.3	9.4	11.6	14.0	16.1	18.5	20.7	23.0	25.6	30.3
D1 / D2	7.9	8.7	9.8	11.2	13.4	15.9	18.1	20.5	22.8	25.2	28.1	33.1
S1 / S2	0.9	0.9	1.0	1.0	1.2	1.3	1.3	1.5	1.6	1.6	1.8	2.1
n-d1 / n-d2	8-Ø17.5	8-Ø17.5	8-Ø17.5	8-Ø22	12-Ø22	12-Ø26	12-Ø26	16-Ø26	16-Ø30	20-Ø30	20-Ø33	20-Ø36

Inlet and outlet flange	
DN1	DN2
6	4

Pump installation size (inch)																	
a1	a2	f	l2	l3	h	h1	h2	m1	m2	n1	n2	n3	n4	b1	d3	s	d
13	13	15	12	27	24	14	7	13	11	9	9	8	8	3	Ø1	0.9	Ø1.3

Pump installation size (inch)		
b	l	t
0.4	3	1.5

Project	Project ID	Created by	Created on	Last update
---------	------------	------------	------------	-------------



Performance Curves

Split Casing Pump - ES100-310

Revision no.

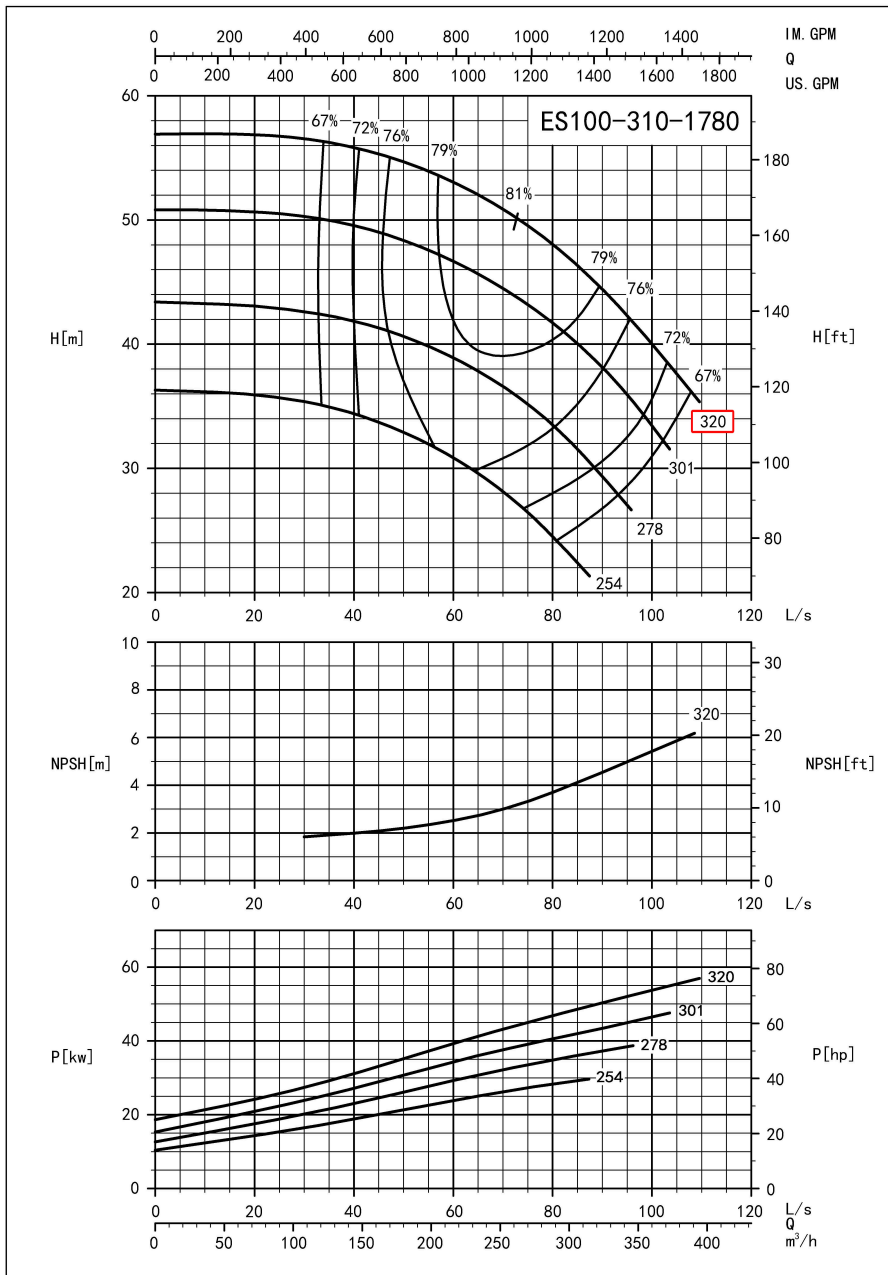
 Page:
2

Receiver

From

 Company name
 Respons. Department
 Person in charge
 Phone number
 Fax no
 E-mail address

Model	Capacity				Head		Speed	Motor Power			Eff	Impeller Dia.		(NPSH)r
	m ³ /h	L/s	gal/m	gal/h	m	ft	r/min	Shaft KW	KW	hp	%	mm	in	m
ES100-310	156	43	686.9	41214	55.5	182	1780	32.3	55	75	73	320	13	2
	260	72	1144.8	68688	50.5	166		44.1			81			3
	312	87	1373.7	82422	45.6	150		49.0			79			4.3



Performance to ISO9906 Grade 2 for clean cold water only

EF-A02/1708

Project

Project ID

Created by

Created on

Last update