



Technical Data

Split Casing Pump - ES125-230

Revision no.

Page:
1

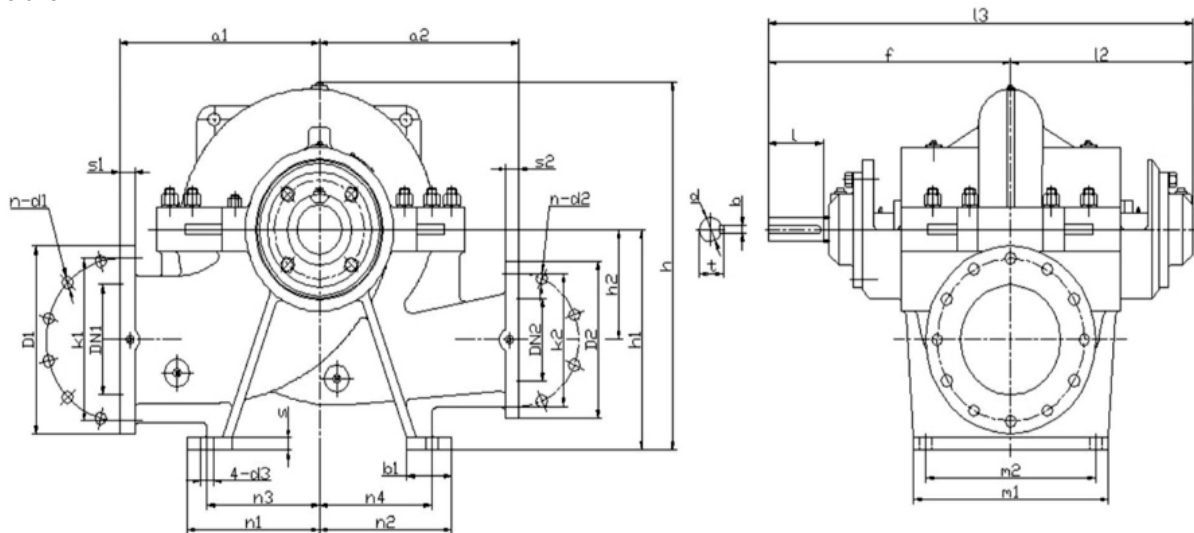
	Receiver	From
Company name		
Respons. Department		
Person in charge		
Phone number		
Fax no		
E-mail address		



Brand: Gol Pumps
Model: ES125-230

Weight (lb)	
Pump	682

Dimensions:



	Flange standard: ISO7005.2 DIN2501 PN16 GB/T17241.6 PN1.6											
DN1 / DN2	3	4	5	6	8	10	12	14	16	18	20	24
K1 / K2	6.3	7.1	8.3	9.4	11.6	14.0	16.1	18.5	20.7	23.0	25.6	30.3
D1 / D2	7.9	8.7	9.8	11.2	13.4	15.9	18.1	20.5	22.8	25.2	28.1	33.1
S1 / S2	0.9	0.9	1.0	1.0	1.2	1.3	1.3	1.5	1.6	1.6	1.8	2.1
n-d1 / n-d2	8-Ø17.5	8-Ø17.5	8-Ø17.5	8-Ø22	12-Ø22	12-Ø26	12-Ø26	16-Ø26	16-Ø30	20-Ø30	20-Ø33	20-Ø36

Inlet and outlet flange	
DN1	DN2
8	5

Pump installation size (inch)																	
a1	a2	f	l2	l3	h	h1	h2	m1	m2	n1	n2	n3	n4	b1	d3	s	d
15	15	19	15	34	25	16	8	16	14	11	11	9	9	4	Ø1	0.9	Ø1.7

Pump installation size (inch)		
b	l	t
0.5	4	1.9

Project	Project ID	Created by	Created on	Last update
---------	------------	------------	------------	-------------



Performance Curves

Split Casing Pump - ES125-230

Revision no. _____

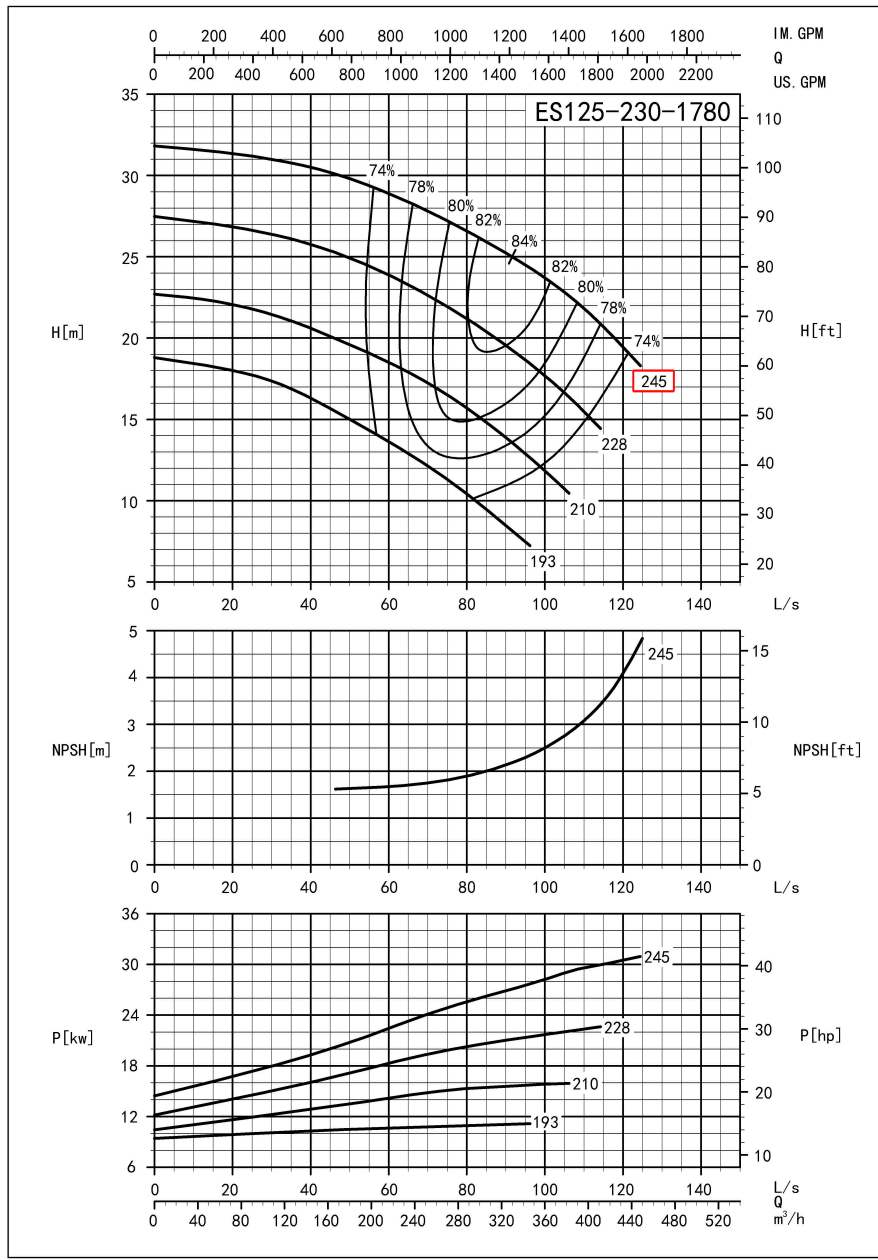
Page: 2

Receiver _____

From _____

Company name _____
 Respons. Department _____
 Person in charge _____
 Phone number _____
 Fax no _____
 E-mail address _____

Model	Capacity				Head		Speed	Motor Power			Eff	Impeller Dia.		(NPSH) _r
	m ³ /h	L/s	gal/m	gal/h	m	ft	r/min	Shaft KW	KW	hp	%	mm	in	m
ES125-230	199	55	876.2	52572	29.4	96	1780	21.8	37	50	73	245	10	1.5
	329	91	1448.5	86910	25.0	82		26.7			84			1.9
	394	109	1734.7	104082	22.0	72		29.9			79			2.8



Performance to ISO9906 Grade 2 for clean cold water only

EF-A02/1708

Project _____	Project ID _____	Created by _____	Created on _____	Last update _____
---------------	------------------	------------------	------------------	-------------------



Performance Curves

Split Casing Pump - ES125-230

Revision no.

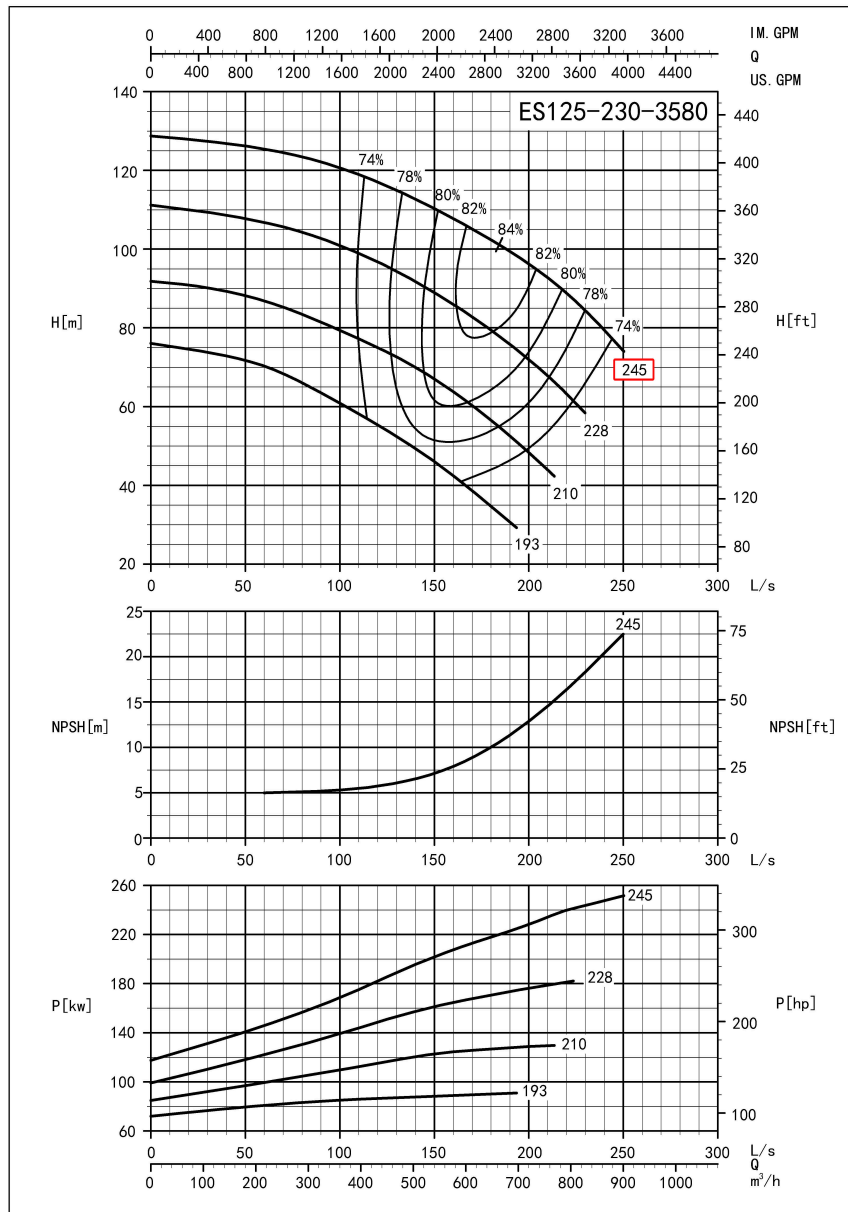
 Page:
3

Receiver

From

 Company name
 Respons. Department
 Person in charge
 Phone number
 Fax no
 E-mail address

Model	Capacity				Head		Speed	Motor Power			Eff	Impeller Dia.		(NPSH) _r
	m ³ /h	L/s	gal/m	gal/h	m	ft	r/min	Shaft KW	KW	hp	%	mm	in	m
ES125-230	401	111	1765.5	105930	119	390	3580	177.6	315	425	73	245	10	7.1
	662	184	2914.7	174882	101	331		217.3			84			7.5
	792	220	3487.1	209226	89	292		243.1			79			8.4



Performance to ISO9906 Grade 2 for clean cold water only

EF-A02/1708

Project

Project ID

Created by

Created on

Last update