



Technical Data

Split Casing Pump - ES150-460

Revision no.

Page:
 1

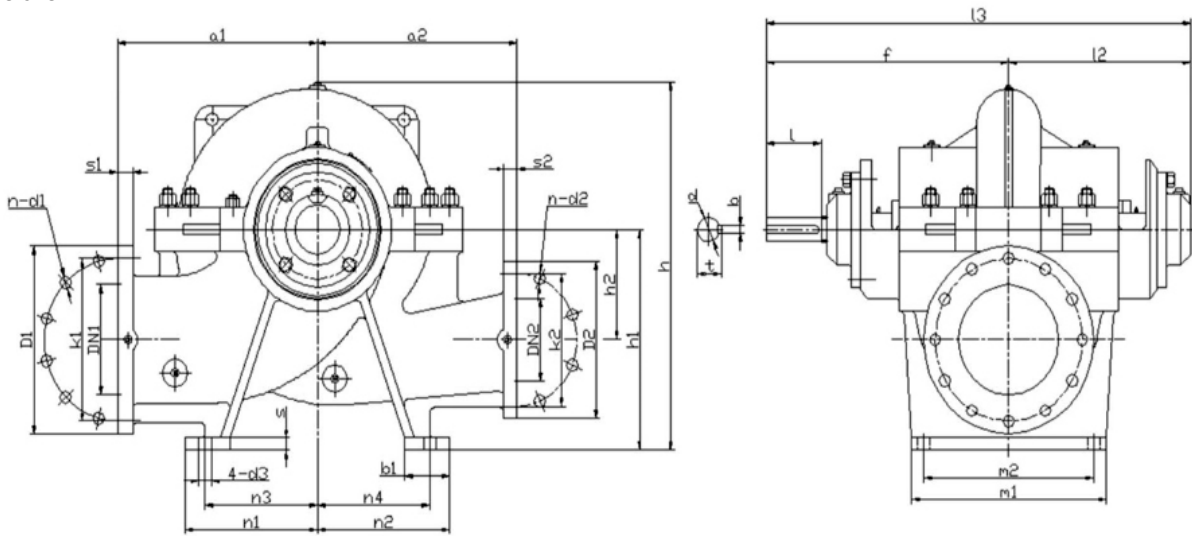
	Receiver	From
Company name		
Respons. Department		
Person in charge		
Phone number		
Fax no		
E-mail address		



Brand: Gol Pumps
Model: ES150-460

Weight (lb)	
Pump	922

Dimensions:



	Flange standard: ISO7005.2 DIN2501 PN16 GB/T17241.6 PN1.6											
DN1 / DN2	3	4	5	6	8	10	12	14	16	18	20	24
K1 / K2	6.3	7.1	8.3	9.4	11.6	14.0	16.1	18.5	20.7	23.0	25.6	30.3
D1 / D2	7.9	8.7	9.8	11.2	13.4	15.9	18.1	20.5	22.8	25.2	28.1	33.1
S1 / S2	0.9	0.9	1.0	1.0	1.2	1.3	1.3	1.5	1.6	1.6	1.8	2.1
n-d1 / n-d2	8-Ø17.5	8-Ø17.5	8-Ø17.5	8-Ø22	12-Ø22	12-Ø26	12-Ø26	16-Ø26	16-Ø30	20-Ø30	20-Ø33	20-Ø36

Inlet and outlet flange	
DN1	DN2
8	6

Pump installation size (inch)																	
a1	a2	f	l2	l3	h	h1	h2	m1	m2	n1	n2	n3	n4	b1	d3	s	d
18	18	22	17	38	28	16	8	19	17	13	13	11	11	3	Ø1	0.9	Ø2.1

Pump installation size (inch)		
b	l	t
1	4	2.3

Project	Project ID	Created by	Created on	Last update
---------	------------	------------	------------	-------------



Performance Curves

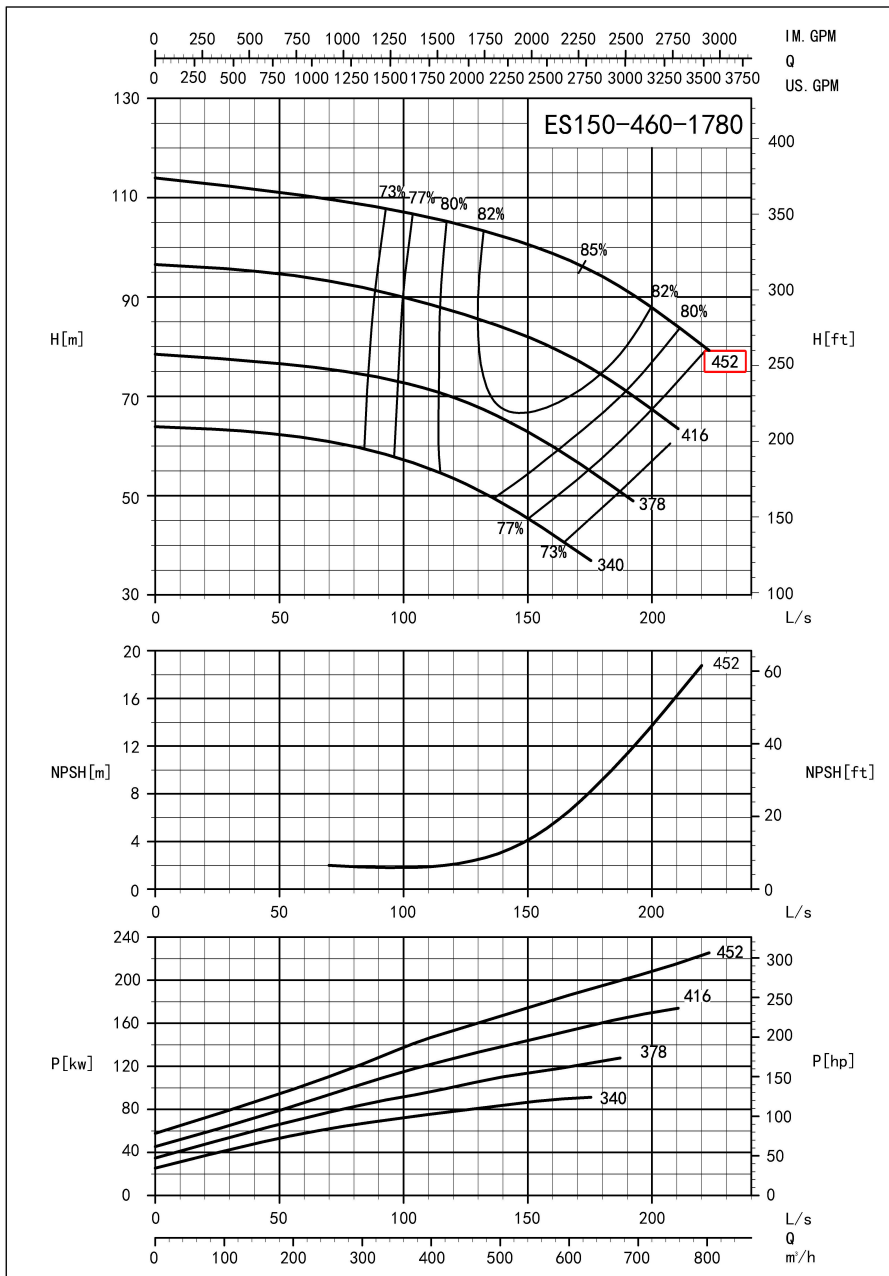
Split Casing Pump - ES150-460

Revision no. _____
Page: 2

Receiver	From

Company name
Respons. Department
Person in charge
Phone number
Fax no
E-mail address

Model	Capacity				Head		Speed r/min	Motor Power			Eff %	Impeller Dia.		(NPSH) _r m
	m ³ /h	L/s	gal/m	gal/h	m	ft		Shaft KW	KW	hp		mm	in	
ES150-460	372	103	1637.9	98274	107.0	351	1780	141.0	250	335	77	452	18	3.6
	619	172	2725.4	163524	96.2	316		193.2			84			4.2
	745	207	3280.1	196806	85.3	280		213.8			81			6.8



Performance to ISO9906 Grade 2 for clean cold water only EF-A01/1407

Project	Project ID	Created by	Created on	Last update