



# Technical Data

## Split Casing Pump - ES200-520

Revision no.

 Page:  
1

Receiver

From

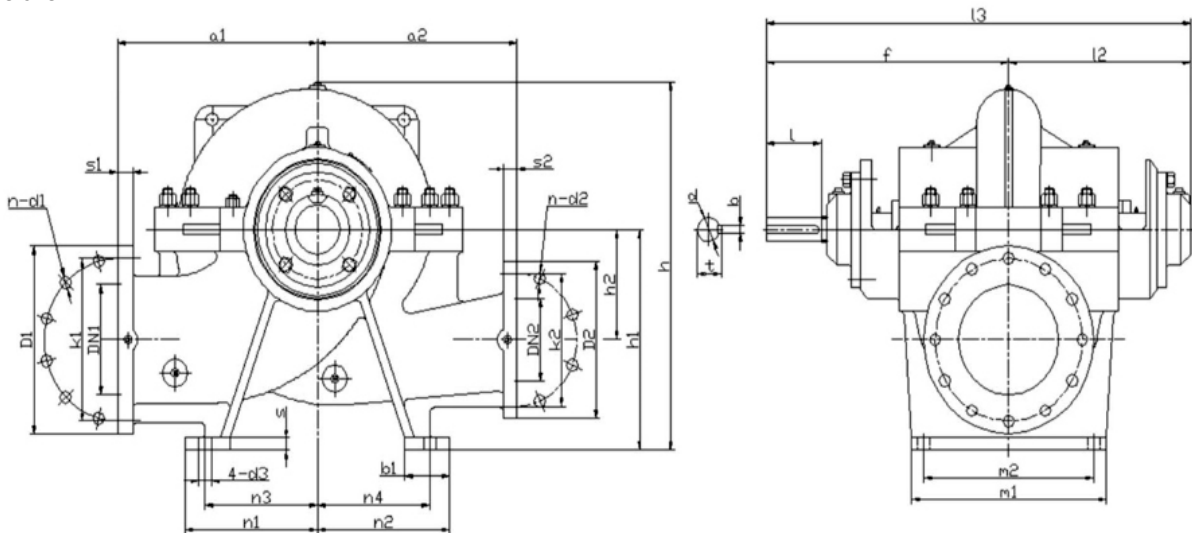
 Company name  
 Respons. Department  
 Person in charge  
 Phone number  
 Fax no  
 E-mail address





**Brand: Gol Pumps**  
**Model: ES200-520**

Weight (lb)	
Pump	1544

**Dimensions:**


	Flange standard: ISO7005.2 DIN2501 PN16 GB/T17241.6 PN1.6											
DN1 / DN2	3	4	5	6	8	10	12	14	16	18	20	24
K1 / K2	6.3	7.1	8.3	9.4	11.6	14.0	16.1	18.5	20.7	23.0	25.6	30.3
D1 / D2	7.9	8.7	9.8	11.2	13.4	15.9	18.1	20.5	22.8	25.2	28.1	33.1
S1 / S2	0.9	0.9	1.0	1.0	1.2	1.3	1.3	1.5	1.6	1.6	1.8	2.1
n-d1 / n-d2	8-Ø17.5	8-Ø17.5	8-Ø17.5	8-Ø22	12-Ø22	12-Ø26	12-Ø26	16-Ø26	16-Ø30	20-Ø30	20-Ø33	20-Ø36

Inlet and outlet flange	
DN1	DN2
10	8

Pump installation size (inch)																	
a1	a2	f	l2	l3	h	h1	h2	m1	m2	n1	n2	n3	n4	b1	d3	s	d
24	20	25	19	44	37	22	12	20	17	16	16	14	14	4	Ø1.1	1.1	Ø2.5

Pump installation size (inch)		
b	l	t
1	6	2.7

Project	Project ID	Created by	Created on	Last update
---------	------------	------------	------------	-------------



# Performance Curves

## Split Casing Pump - ES200-520

Revision no. \_\_\_\_\_

Page: 2

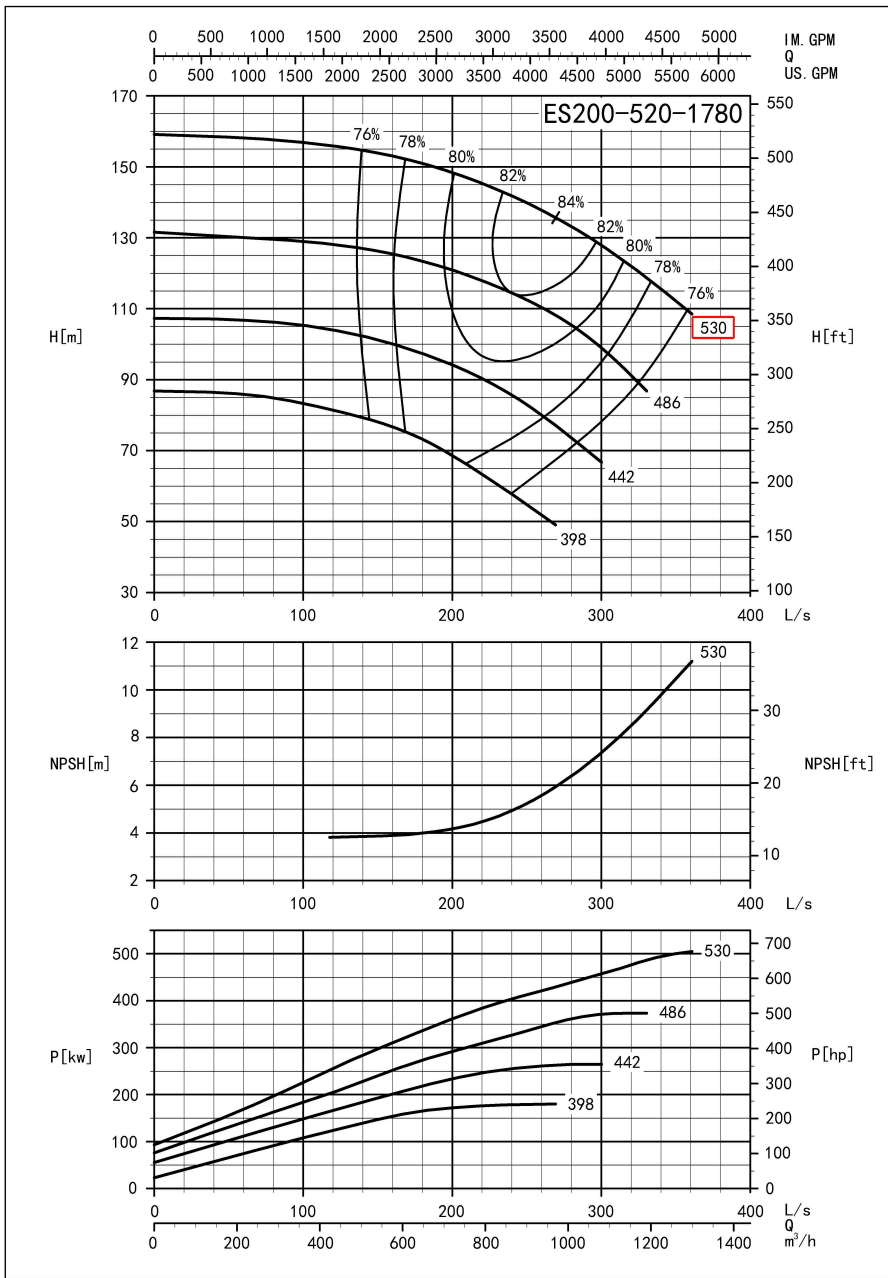
Receiver \_\_\_\_\_

From \_\_\_\_\_

Company name \_\_\_\_\_  
 Respons. Department \_\_\_\_\_  
 Person in charge \_\_\_\_\_  
 Phone number \_\_\_\_\_  
 Fax no \_\_\_\_\_  
 E-mail address \_\_\_\_\_



Model	Capacity				Head		Speed	Motor Power			Eff	Impeller Dia.		(NPSH)r
	m <sup>3</sup> /h	L/s	gal/m	gal/h	m	ft	r/min	Shaft KW	KW	hp	%	mm	in	m
ES200-520	589	164	2593.3	155598	153.3	503	1780	319.5	560	751	77	530	21	4
	979	272	4310.4	258624	134.5	441		432.1			83			6
	1173	326	5164.6	309876	120.1	394		492.1			78			9



Performance to ISO9906 Grade 2 for clean cold water only

EF-A02/1708

Project _____	Project ID _____	Created by _____	Created on _____	Last update _____
---------------	------------------	------------------	------------------	-------------------