



Technical Data

Split Casing Pump - ES80-210

Revision no.

 Page:
1

Receiver

From

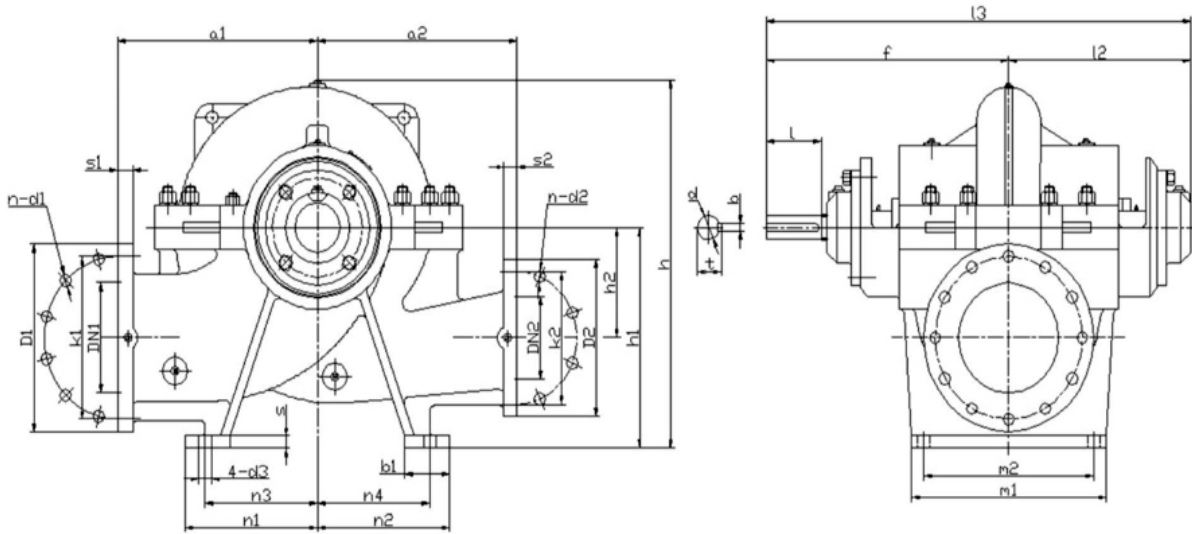
 Company name
 Respons. Department
 Person in charge
 Phone number
 Fax no
 E-mail address

--	--



Brand: Gol Pumps
Model: ES80-210

Weight (lb)	
Pump	395

Dimensions:


Flange standard: ISO7005.2 DIN2501 PN16 GB/T17241.6 PN1.6												
DN1 / DN2	3	4	5	6	8	10	12	14	16	18	20	24
K1 / K2	6.3	7.1	8.3	9.4	11.6	14.0	16.1	18.5	20.7	23.0	25.6	30.3
D1 / D2	7.9	8.7	9.8	11.2	13.4	15.9	18.1	20.5	22.8	25.2	28.1	33.1
S1 / S2	0.9	0.9	1.0	1.0	1.2	1.3	1.3	1.5	1.6	1.6	1.8	2.1
n-d1 / n-d2	8-Ø17.5	8-Ø17.5	8-Ø17.5	8-Ø22	12-Ø22	12-Ø26	12-Ø26	16-Ø26	16-Ø30	20-Ø30	20-Ø33	20-Ø36

Inlet and outlet flange	
DN1	DN2
5	3

Pump installation size (inch)																	
a1	a2	f	l2	l3	h	h1	h2	m1	m2	n1	n2	n3	n4	b1	d3	s	d
12	12	15	12	27	20	13	6	13	11	8	8	7	7	3	Ø1	0.9	Ø1.3

Pump installation size (inch)		
b	l	t
0.4	3	1.5

Project	Project ID	Created by	Created on	Last update
---------	------------	------------	------------	-------------



Performance Curves

Split Casing Pump - ES80-210

Revision no.

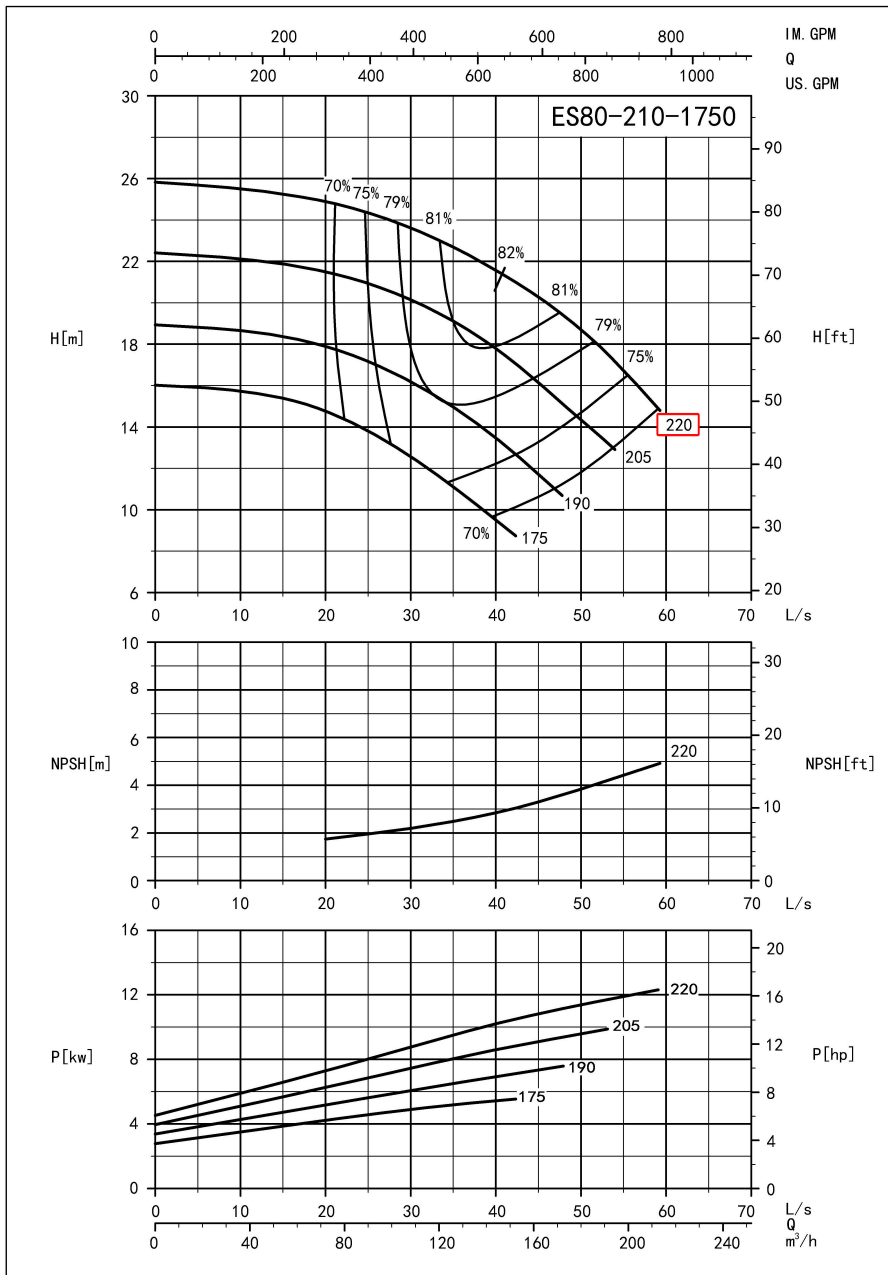
Page:
2

Receiver

From

Company name
Respons. Department
Person in charge
Phone number
Fax no
E-mail address

Model	Capacity				Head		Speed r/min	Motor Power			Eff %	Impeller Dia.		(NPSH) _r m
	m ³ /h	L/s	gal/m	gal/h	m	ft		Shaft KW	KW	hp		mm	in	
ES80-210	87	24	383	2980	24.5	80	1750	7.8	15	20	74	220	9	2
	148	41	651.6	39096	21.3	70		10.4			82			3
	178	49	783.7	47022	18.8	62		11.4			80			3.8



Performance to ISO9906 Grade 2 for clean cold water only

EF-A02/1708

Project	Project ID	Created by	Created on	Last update
---------	------------	------------	------------	-------------



Performance Curves

Split Casing Pump - ES80-210

Revision no.

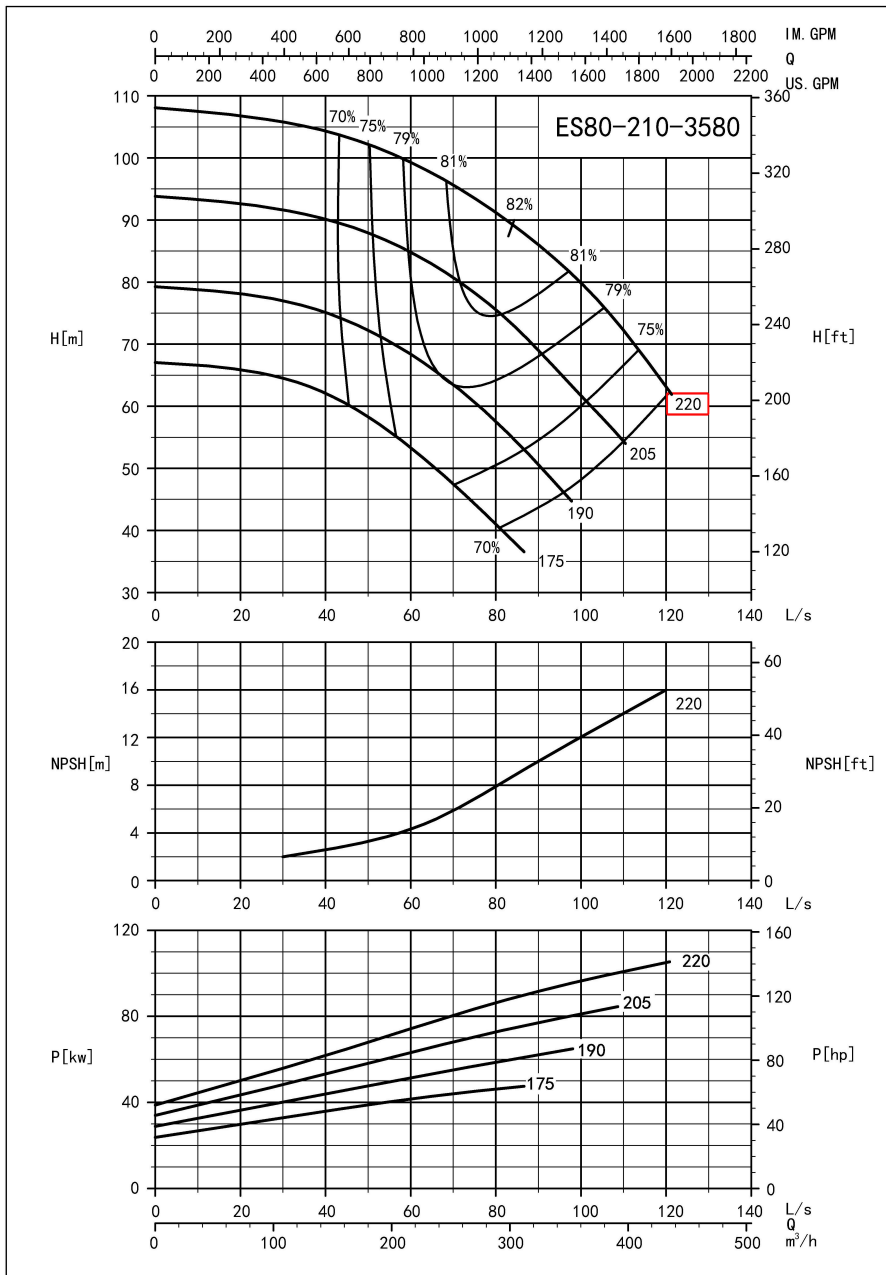
Page:
3

Receiver

From

Company name
Respons. Department
Person in charge
Phone number
Fax no
E-mail address

Model	Capacity				Head		Speed	Motor Power			Eff	Impeller Dia.		(NPSH) _r
	m ³ /h	L/s	gal/m	gal/h	m	ft	r/min	Shaft KW	KW	hp	%	mm	in	m
ES80-210	178	49	783.7	47022	102	335	3580	67.0	110	150	74	220	9	3.5
	302	84	1329.7	79782	89	292		89.4			82			8
	364	101	1602.6	96156	79	259		97.6			80			10.5



Performance to ISO9906 Grade 2 for clean cold water only

EF-A02/1708

Project	Project ID	Created by	Created on	Last update
---------	------------	------------	------------	-------------