



# Technical Data

## Split Casing Pump - ES80-370

Revision no.

Page:  
 1

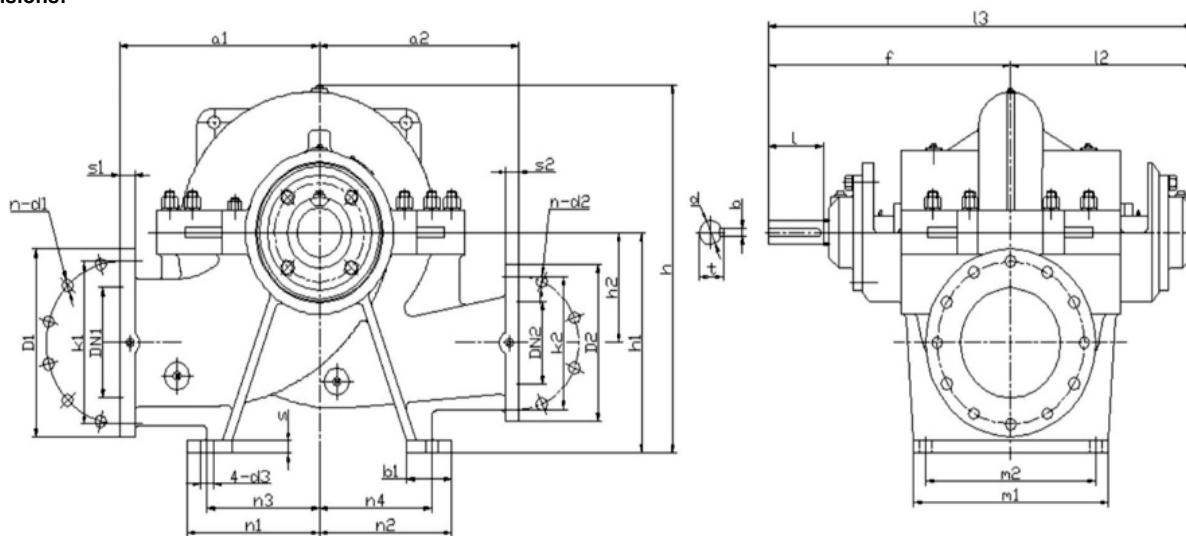
	Receiver	From
Company name		
Respons. Department		
Person in charge		
Phone number		
Fax no		
E-mail address		



**Brand: Gol Pumps**  
**Model: ES80-370**

Weight (lb)	
Pump	461

**Dimensions:**



	Flange standard: ISO7005.2 DIN2501 PN16 GB/T17241.6 PN1.6											
DN1 / DN2	3	4	5	6	8	10	12	14	16	18	20	24
K1 / K2	6.3	7.1	8.3	9.4	11.6	14.0	16.1	18.5	20.7	23.0	25.6	30.3
D1 / D2	7.9	8.7	9.8	11.2	13.4	15.9	18.1	20.5	22.8	25.2	28.1	33.1
S1 / S2	0.9	0.9	1.0	1.0	1.2	1.3	1.3	1.5	1.6	1.6	1.8	2.1
n-d1 / n-d2	8-Ø17.5	8-Ø17.5	8-Ø17.5	8-Ø22	12-Ø22	12-Ø26	12-Ø26	16-Ø26	16-Ø30	20-Ø30	20-Ø33	20-Ø36

Inlet and outlet flange	
DN1	DN2
5	3

Pump installation size (inch)																	
a1	a2	f	l2	l3	h	h1	h2	m1	m2	n1	n2	n3	n4	b1	d3	s	d
13	13	15	12	27	22	13	6	13	11	8	8	7	7	3	Ø1	0.9	Ø1.3

Pump installation size (inch)		
b	l	t
0.4	3	1.5

Project	Project ID	Created by	Created on	Last update
---------	------------	------------	------------	-------------



# Performance Curves

## Split Casing Pump - ES80-370

Revision no.

Page:  
2

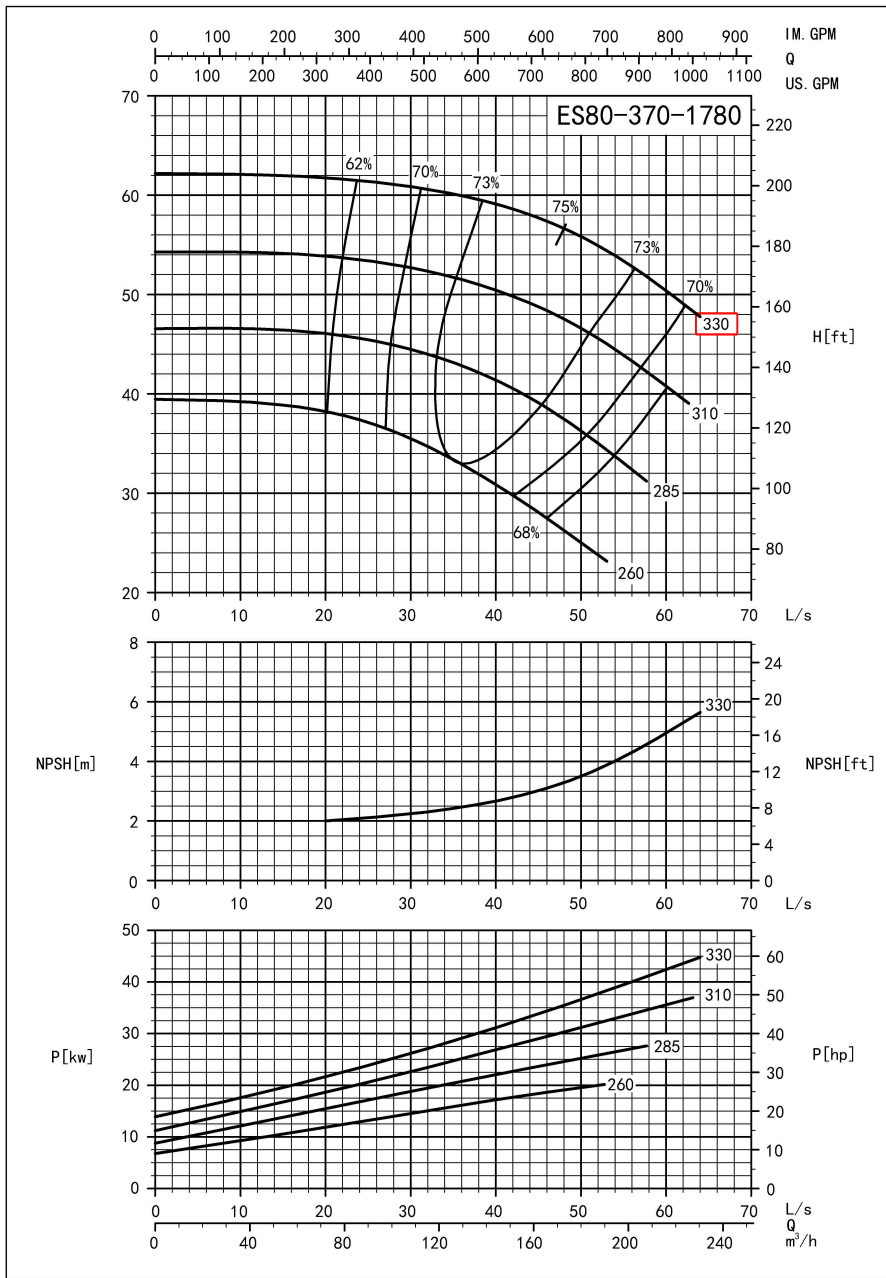
Receiver

From

Company name  
Respons. Department  
Person in charge  
Phone number  
Fax no  
E-mail address



Model	Capacity				Head		Speed r/min	Motor Power			Eff %	Impeller Dia.		(NPSH) <sub>r</sub> m
	m <sup>3</sup> /h	L/s	gal/m	gal/h	m	ft		Shaft KW	KW	hp		mm	in	
ES80-370	104	29	457.9	27474	61.0	200	1780	25.4	45	60	68	330	13	2.2
	173	48	761.7	45702	56.4	185		35.5			75			3.3
	208	58	915.8	54948	51.9	170		40.8			72			4.6



Performance to ISO9906 Grade 2 for clean cold water only

EF-A02/1708

Project	Project ID	Created by	Created on	Last update
---------	------------	------------	------------	-------------