



Technical Data

End Suction Pump - EA40/20

Revision no.

Page:
 1

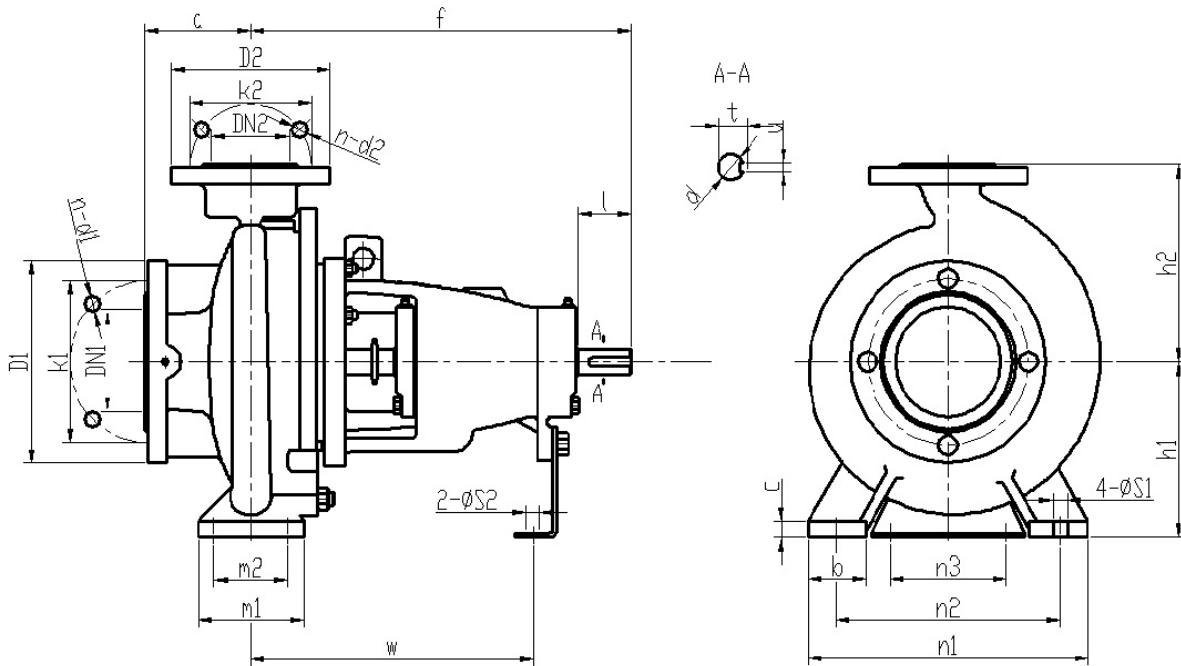
	Receiver	From
Company name		
Respons. Department		
Person in charge		
Phone number		
Fax no		
E-mail address		



Brand: Gol Pumps
Model: EA40/20

Weight (lb)	
Pump	100

Dimensions:



Flange standard: ISO7005.2 DIN2501 PN16 GB/T17241.6 PN1.6														
DN1 / DN2	1.25	1.5	2	2.5	3	4	5	6	8	10	12	14	16	
D1 / D2	5.5	5.9	6.5	7.3	7.9	8.7	9.8	11.2	13.4	15.9	18.1	20.5	22.8	
K1 / K2	3.9	4.3	4.9	5.7	6.3	7.1	8.3	9.4	11.6	14.0	16.1	18.5	20.7	
n-d1 / n-d2	4-Ø18	4-Ø18	4-Ø18	4-Ø18	8-Ø18	8-Ø18	8-Ø18	8-Ø22	12-Ø22	12-Ø26	12-Ø26	16-Ø26	16-Ø30	

Bearing inner diameter	Inlet and outlet flange	
	DN1	DN2
1	2.5	1.5

Pump installation size (inch)																	
a	f	h1	h2	b	c	n3	m1	m2	n1	n2	S1	S2	w	d	l	t	u
4	14.1	6.3	7.1	2	0.6	4.5	4	2.8	10.5	8.5	0.6	0.6	10.5	1	2	1.1	0.3

Project	Project ID	Created by	Created on	Last update
---------	------------	------------	------------	-------------



Performance Curves

End Suction Pump - EA40/20

Revision no.

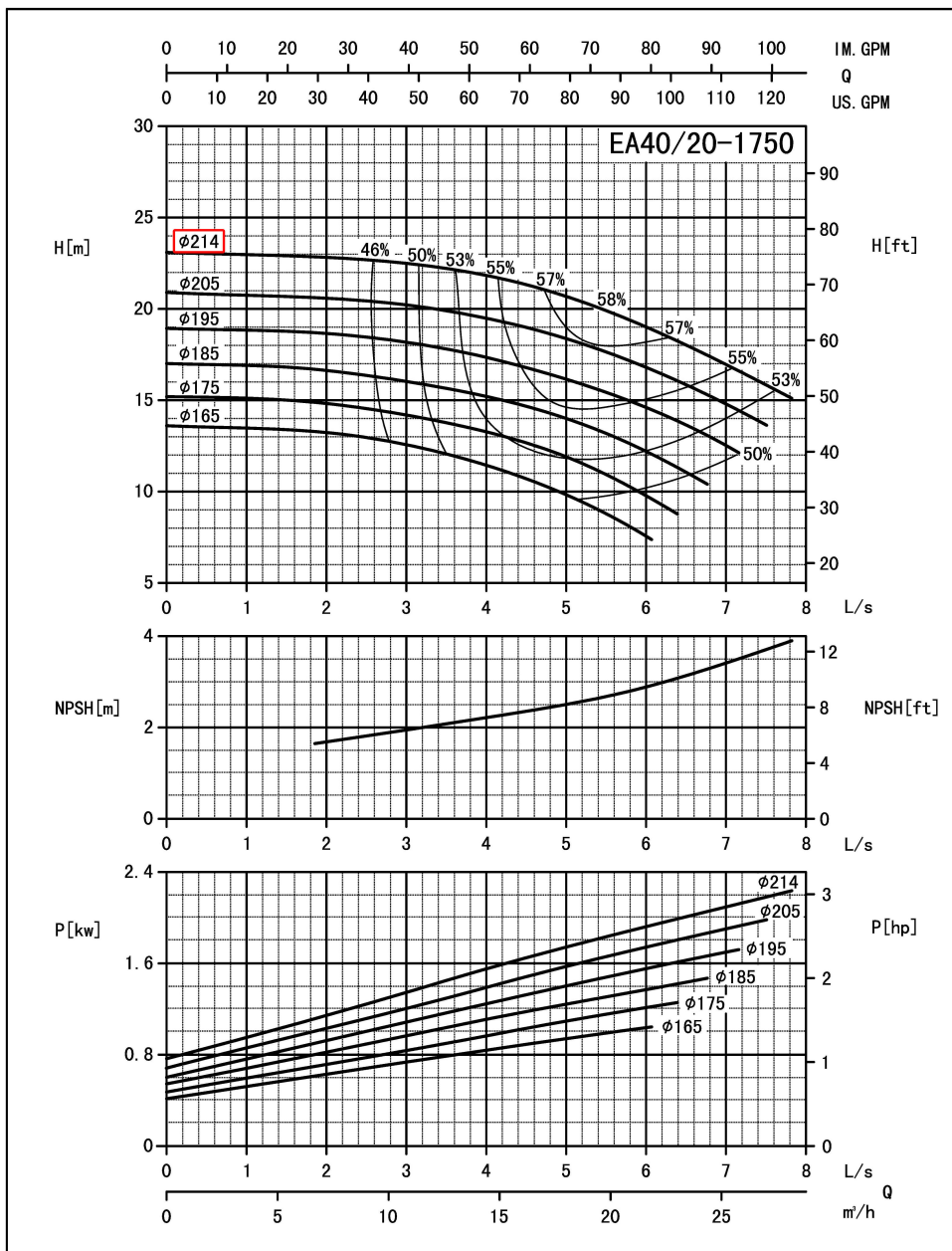
Page:
2

Receiver

From

Company name
Respons. Department
Person in charge
Phone number
Fax no
E-mail address

Model	Capacity			Head		Speed	Power			Motor Model	Eff %	Impeller Dia. m	In mm/in	OUT mm/in	
	m ³ /h	L/s	GPM	m	ft		Shaft kw	Motor kw	HP						
EA40/20	8.7	2.92	38.3	22.6	74.1	1750	1.11	1.5	2.0	Y2-100L1-4 2.2KW	48	1.8	214(8.5")	65(2.5")	40(1.5")
	14.5	4.86	63.8	20.8	68.3		1.44	2.2	3.0		57	2.2			
	17.4	5.84	76.6	19.2	63.1		1.58	2.2	3.0		57.5	2.5			



Performance to ISO9906 Grade 2 for clean cold water only

EF-A01/1405

Project	Project ID	Created by	Created on	Last update
---------	------------	------------	------------	-------------



Performance Curves

End Suction Pump - EA40/20

Revision no.

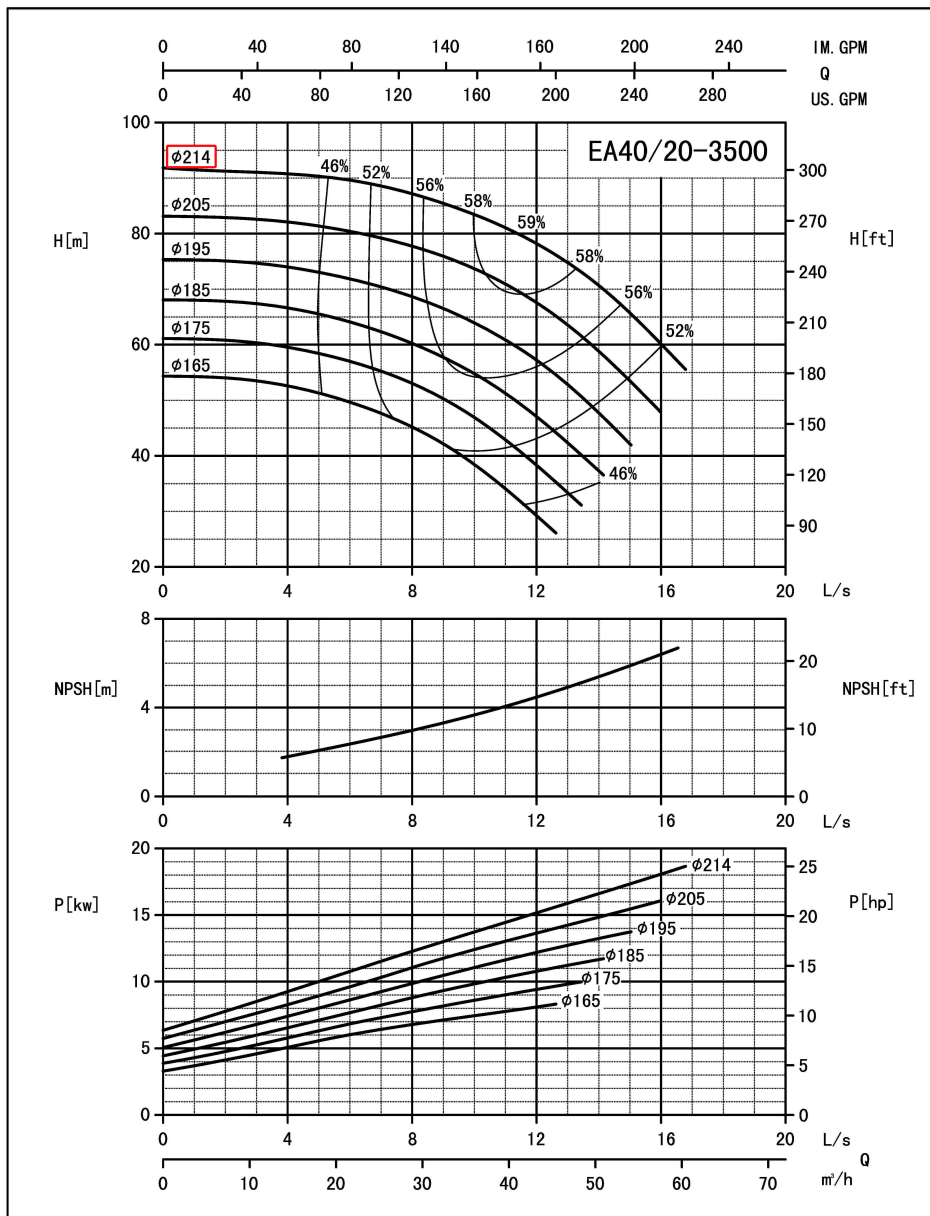
Page:
3

Receiver

From

Company name
Respons. Department
Person in charge
Phone number
Fax no
E-mail address

Model	Capacity			Head		Speed	Power			Motor Model	Eff	Impeller Dia.	In	OUT	
	m ³ /h	L/s	GPM	m	ft		Shaft	Motor	HP						
EA40/20	21.7	6.03	95.5	89.6	293.8	3500	11.03	15	20.0	Y2-160L-2 18.5KW	48	1.8	214(8.5")	65(2.5")	40(1.5")
	36.2	10.05	159.4	82.3	269.9		13.98	18.5	25.0		58	2			
	43.4	12.06	191	77.2	253.2		15.60	18.5	25.0		58.5	2.7			



Performance to ISO9906 Grade 2 for clean cold water only

EF-A01/1405

Project	Project ID	Created by	Created on	Last update