



Technical Data

End Suction Pump - EAX50/32

Revision no.

 Page:
1

Receiver

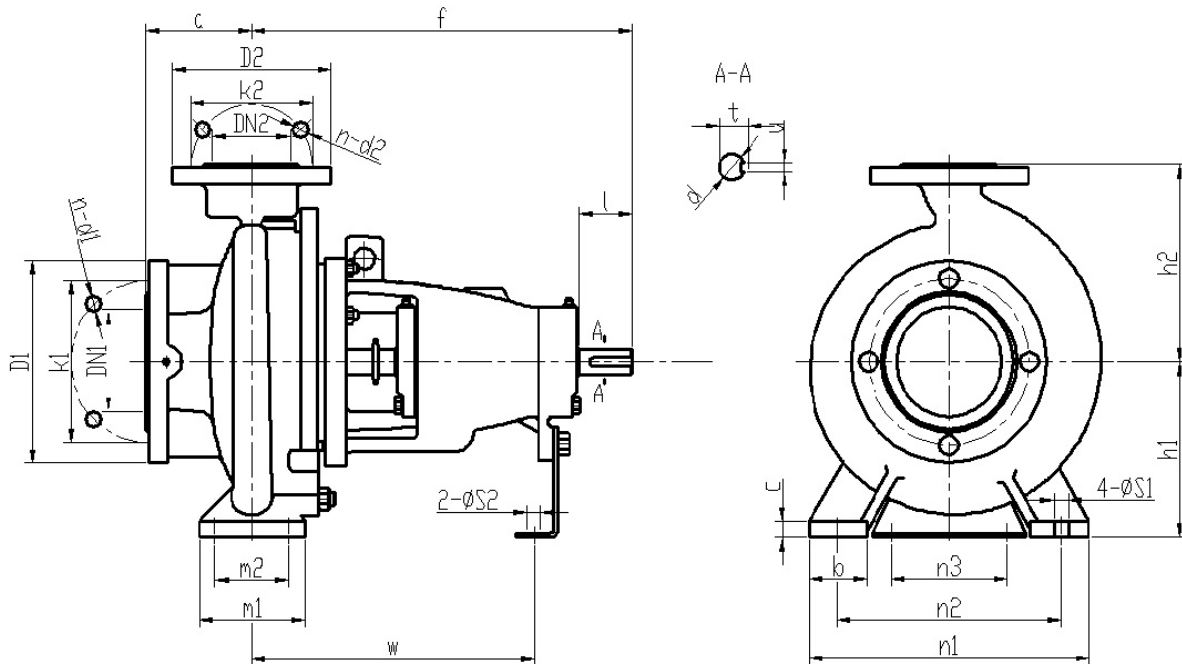
From

 Company name
 Respons. Department
 Person in charge
 Phone number
 Fax no
 E-mail address



Brand: Gol Pumps
Model: EAX50/32

Weight (lb)	
Pump	250

Dimensions:


Flange standard: ISO7005.2 DIN2501 PN16 GB/T17241.6 PN1.6

DN1 / DN2	1.25	1.5	2	2.5	3	4	5	6	8	10	12	14	16
D1 / D2	5.5	5.9	6.5	7.3	7.9	8.7	9.8	11.2	13.4	15.9	18.1	20.5	22.8
K1 / K2	3.9	4.3	4.9	5.7	6.3	7.1	8.3	9.4	11.6	14.0	16.1	18.5	20.7
n-d1 / n-d2	4-Ø18	4-Ø18	4-Ø18	4-Ø18	8-Ø18	8-Ø18	8-Ø18	8-Ø22	12-Ø22	12-Ø26	12-Ø26	16-Ø26	16-Ø30

Bearing inner diameter	Inlet and outlet flange	
	DN1	DN2
1.4	2.5	2

Pump installation size (inch)

a	f	h1	h2	b	c	n3	m1	m2	n1	n2	S1	S2	w	d	l	t	u
5	18.5	7.1	9	2.5	0.7	4.3	5	3.8	13.6	11	0.6	0.6	13.5	1.3	3	1.4	0.4

Project

Project ID

Created by

Created on

Last update



Performance Curves

End Suction Pump - EAX50/32

Revision no. _____

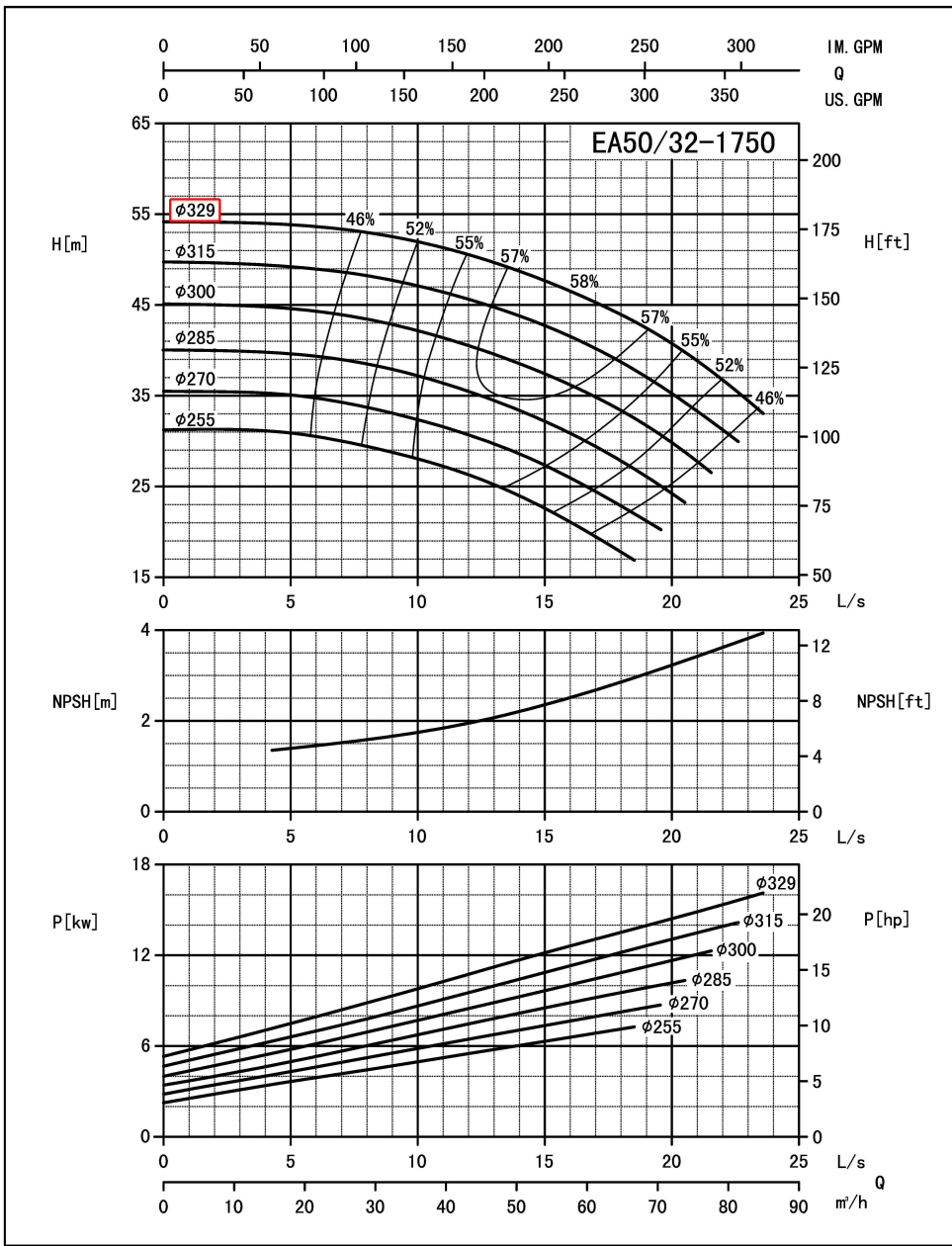
Page: 2

Company name _____
 Respons. Department _____
 Person in charge _____
 Phone number _____
 Fax no _____
 E-mail address _____

Receiver _____

From _____

Model	Capacity			Head		Speed r/min	Power			Motor Model	Eff %	Impeller Dia. mm/in	In mm/in	OUT mm/in	
	m ³ /h	L/s	GPM	m	ft		Shaft kw	Motor kw	HP						
	EA50/32	30.2	10.14	132.9	51.9		170.1	1750	8.21						11
	50.4	16.90	221.9	45.3	148.6		10.72	15	20.1		58	2.2			
	60.5	20.28	266.4	40.5	132.8		12.12	15	20.1		55	2.7			



Performance to ISO9906 Grade 2 for clean cold water only

EF-A01/1405

Project _____	Project ID _____	Created by _____	Created on _____	Last update _____
---------------	------------------	------------------	------------------	-------------------