



# Technical Data

## End Suction Pump - EAX65/26

Revision no.

 Page:  
1

Receiver

From

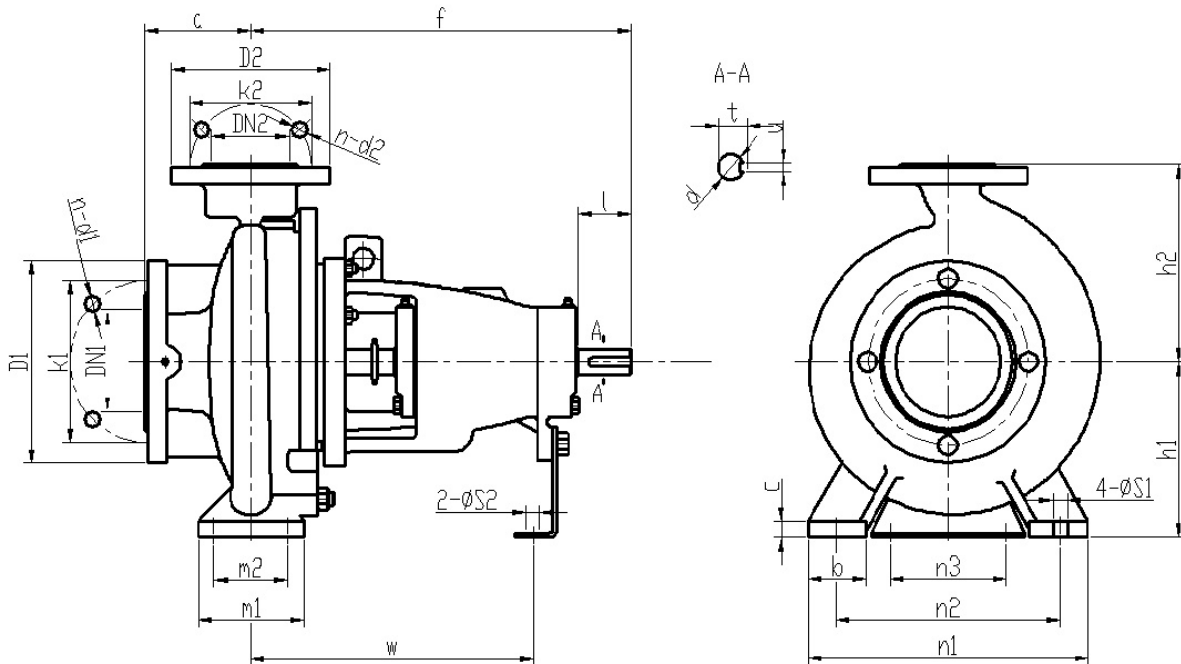
 Company name  
 Respons. Department  
 Person in charge  
 Phone number  
 Fax no  
 E-mail address





**Brand: Gol Pumps**  
**Model: EAX65/26**

Weight (lb)	
Pump	192

**Dimensions:**


Flange standard: ISO7005.2 DIN2501 PN16 GB/T17241.6 PN1.6

	1.25	1.5	2	2.5	3	4	5	6	8	10	12	14	16
DN1 / DN2	5.5	5.9	6.5	7.3	7.9	8.7	9.8	11.2	13.4	15.9	18.1	20.5	22.8
K1 / K2	3.9	4.3	4.9	5.7	6.3	7.1	8.3	9.4	11.6	14.0	16.1	18.5	20.7
n-d1 / n-d2	4-Ø18	4-Ø18	4-Ø18	4-Ø18	8-Ø18	8-Ø18	8-Ø18	8-Ø22	12-Ø22	12-Ø26	12-Ø26	16-Ø26	16-Ø30

Bearing inner diameter	Inlet and outlet flange	
	DN1	DN2
1.4	3	2.5

**Pump installation size (inch)**

a	f	h1	h2	b	c	n3	m1	m2	n1	n2	S1	S2	w	d	l	t	u
4	18.5	8.9	9.8	3	0.6	4.3	6.3	4.7	14.2	11	0.7	0.6	13.5	1.3	3	1.4	0.4

Project

Project ID

Created by

Created on

Last update



# Performance Curves

## End Suction Pump - EAX65/26

Revision no.

Page:  
 2

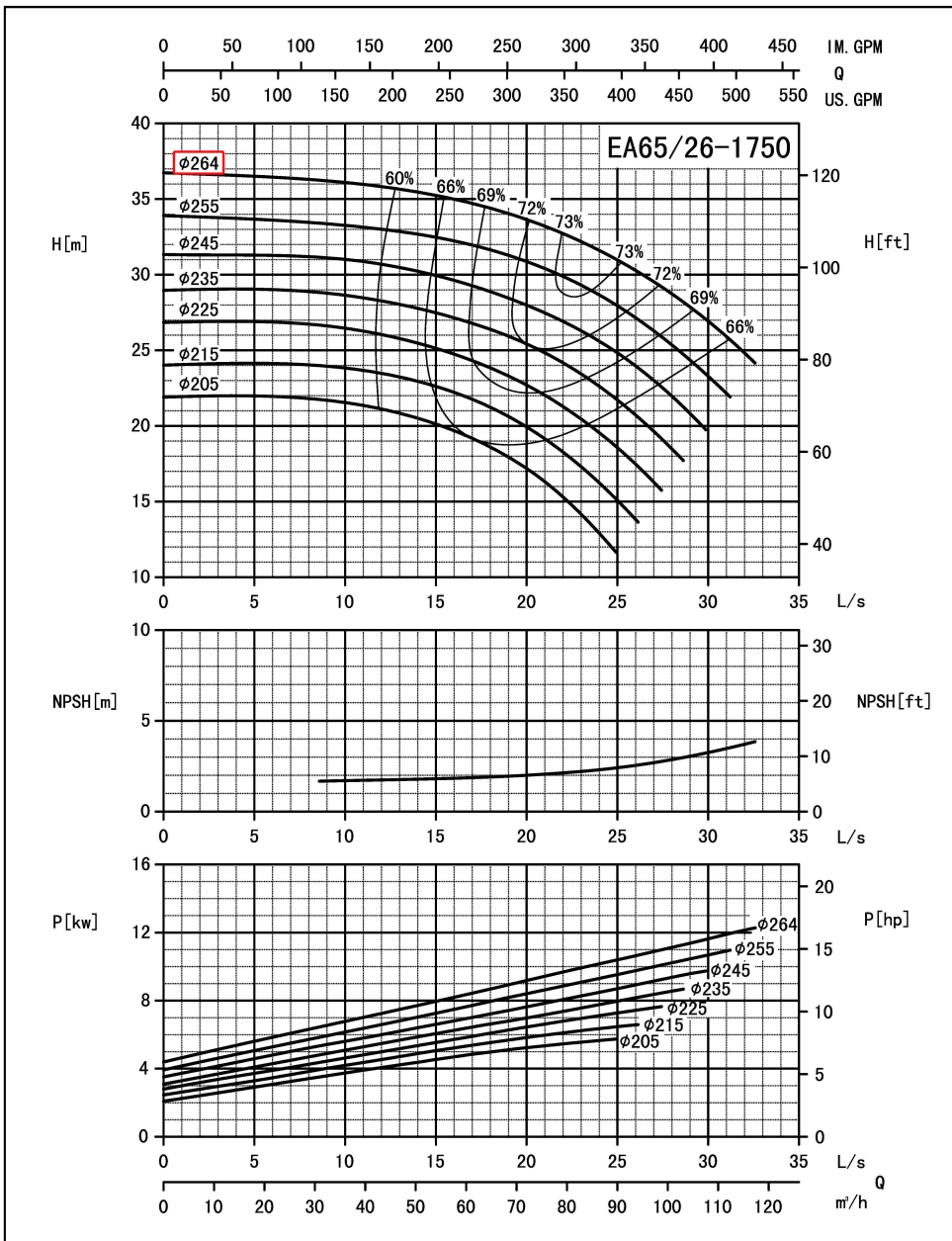
Receiver \_\_\_\_\_

From \_\_\_\_\_

Company name \_\_\_\_\_  
 Respons. Department \_\_\_\_\_  
 Person in charge \_\_\_\_\_  
 Phone number \_\_\_\_\_  
 Fax no \_\_\_\_\_  
 E-mail address \_\_\_\_\_



Model	Capacity			Head		Speed r/min	Power			Motor Model	Eff %	Impeller Dia. m	In mm/in	OUT mm/in	
	m <sup>3</sup> /h	L/s	GPM	m	ft		Shaft	Motor							
							kw	kw	HP						
EA65/26	36.0	12.07	158.5	35.8	117.5	1750	5.95	7.5	10.0	Y2-160M-4 11KW	59	1.7	264(10.4")	80(3")	65(2.5")
	60.0	20.12	264.2	33.5	109.9		7.60	11	15.0		72	1.9			
	72.0	24.14	317	31.6	103.7		8.49	11	15.0		73	2			



Performance to ISO9906 Grade 2 for clean cold water only

EF-A01/1405

Project _____	Project ID _____	Created by _____	Created on _____	Last update _____
---------------	------------------	------------------	------------------	-------------------



# Performance Curves

## End Suction Pump - EAX65/26

Revision no.

Page:  
 3

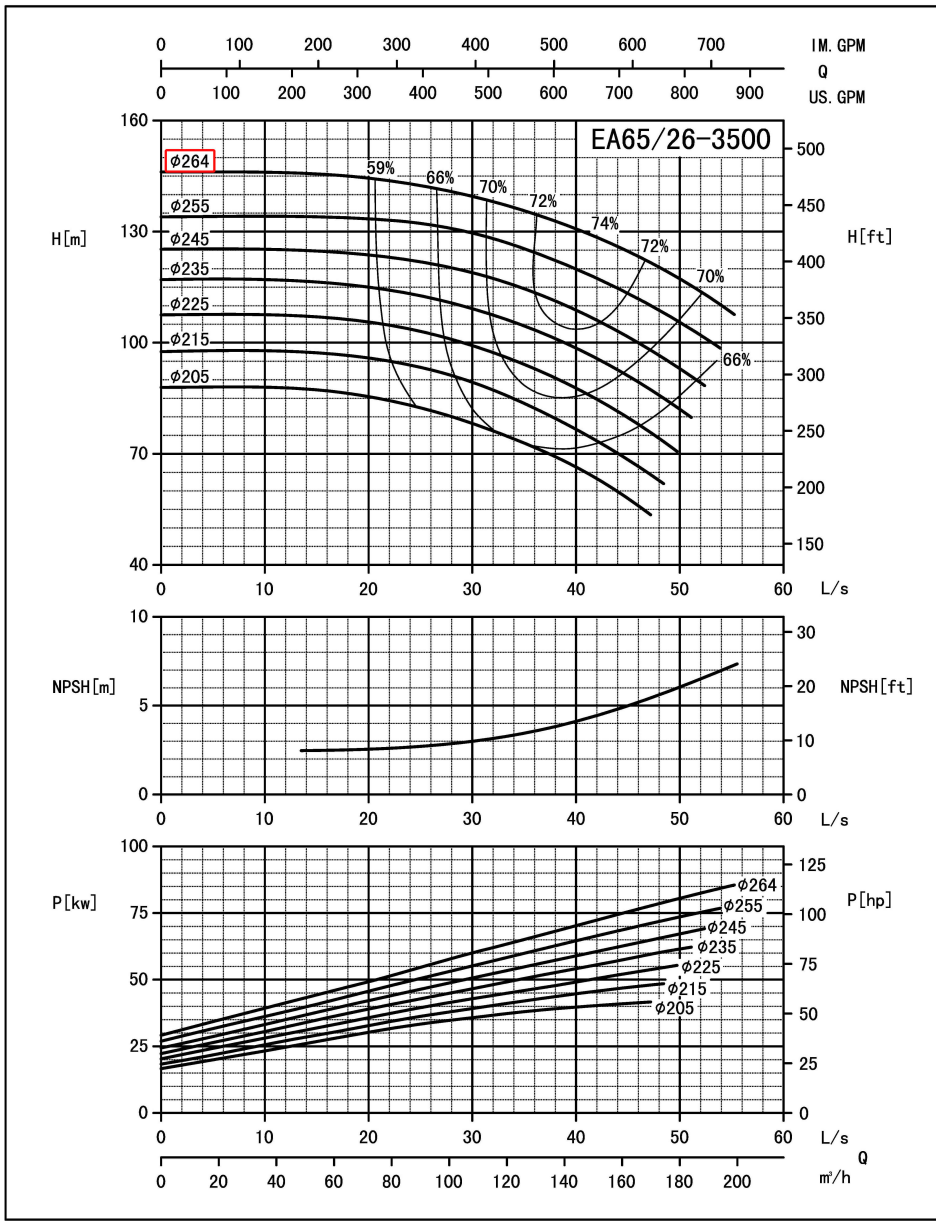
Receiver

From

Company name  
 Respons. Department  
 Person in charge  
 Phone number  
 Fax no  
 E-mail address



Model	Capacity			Head		Speed r/min	Power			Motor Model	Eff %	Impeller Dia. m	In mm/in	OUT mm/in			
	m <sup>3</sup> /h	L/s	GPM	m	ft		Shaft kw	Motor kw	HP								
	EA65/26	86.9	24.14	382.6	142.7		468.2	3500	53.59						75	100.0	Y2-280M-2 90KW
	144.8	40.23	637.5	130.9	429.5	70.23	90		120.0	73.5	4.2						
	173.8	48.27	765.2	119.9	393.2	79.31	90		120.0	71.5	5.8						



Performance to ISO9906 Grade 2 for clean cold water only

EF-A01/1405

Project	Project ID	Created by	Created on	Last update
---------	------------	------------	------------	-------------