



# Technical Data

## End Suction Pump - EAX80/32

Revision no.

Page:  
 1

Company name  
 Respons. Department  
 Person in charge  
 Phone number  
 Fax no  
 E-mail address

Receiver

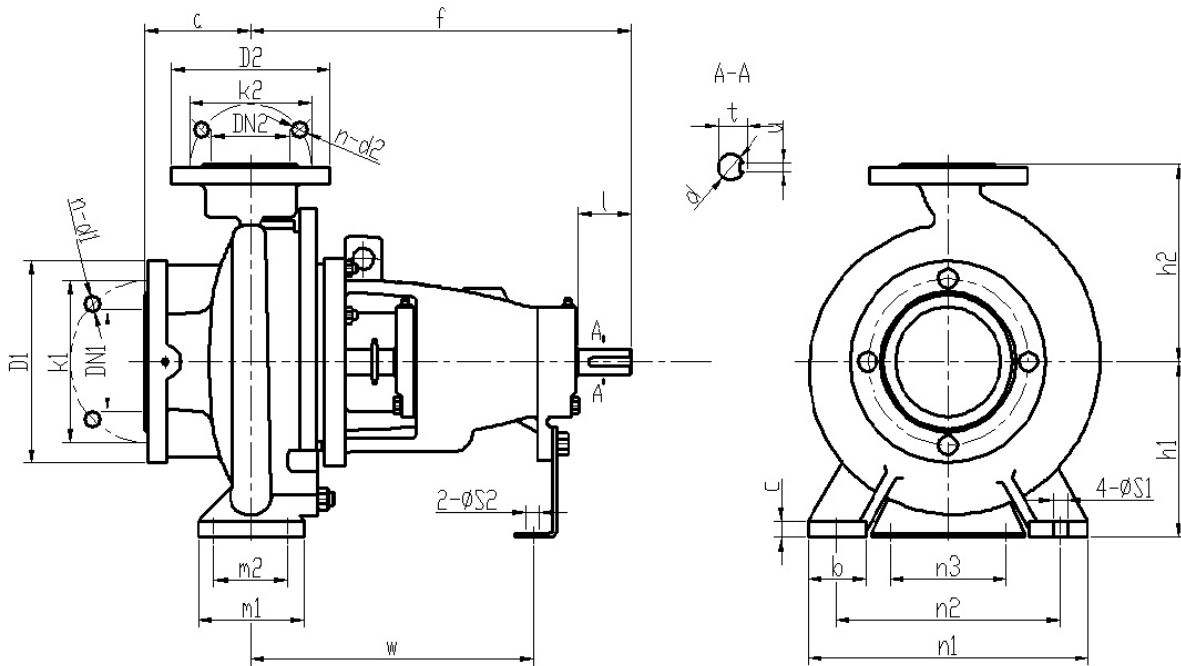

From




**Brand: Gol Pumps**  
**Model: EAX80/32**

Weight (lb)	
Pump	261

**Dimensions:**



Flange standard: ISO7005.2 DIN2501 PN16 GB/T17241.6 PN1.6													
DN1 / DN2	1.25	1.5	2	2.5	3	4	5	6	8	10	12	14	16
D1 / D2	5.5	5.9	6.5	7.3	7.9	8.7	9.8	11.2	13.4	15.9	18.1	20.5	22.8
K1 / K2	3.9	4.3	4.9	5.7	6.3	7.1	8.3	9.4	11.6	14.0	16.1	18.5	20.7
n-d1 / n-d2	4-Ø18	4-Ø18	4-Ø18	4-Ø18	8-Ø18	8-Ø18	8-Ø18	8-Ø22	12-Ø22	12-Ø26	12-Ø26	16-Ø26	16-Ø30

Bearing inner diameter	Inlet and outlet flange	
	DN1	DN2
1.4	4	3

Pump installation size (inch)																	
a	f	h1	h2	b	c	n3	m1	m2	n1	n2	S1	S2	w	d	l	t	u
5	18.5	10	12.5	3	0.6	4.3	6.3	4.7	15.8	12.4	0.7	0.6	13.5	1.3	3	1.4	0.4

Project	Project ID	Created by	Created on	Last update
---------	------------	------------	------------	-------------



# Performance Curves

## End Suction Pump - EAX80/32

Revision no.

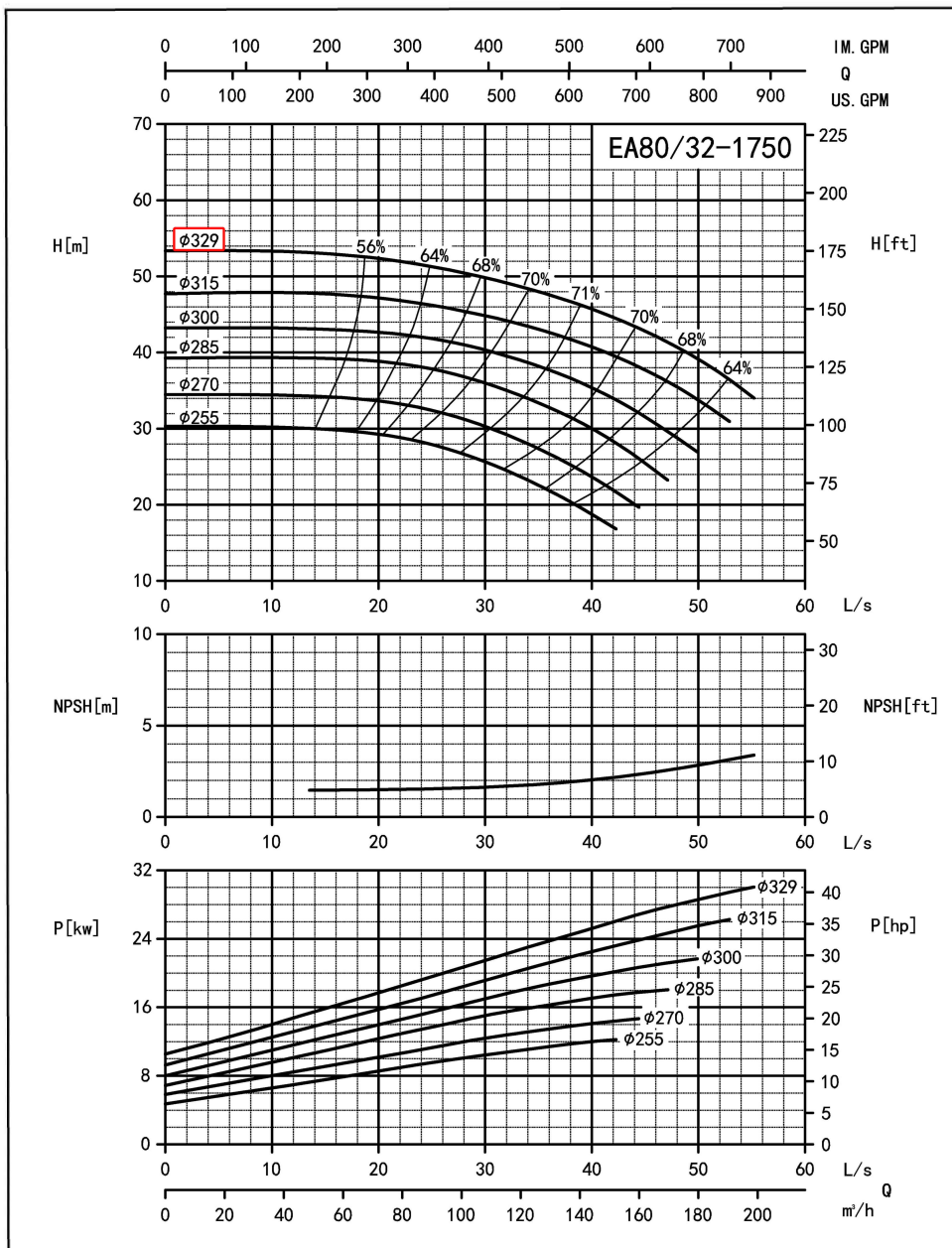
Page:  
2

Receiver

From

Company name  
Respons. Department  
Person in charge  
Phone number  
Fax no  
E-mail address

Model	Capacity			Head		Speed r/min	Power			Motor Model	Eff %	Impeller Dia. mm/in	In mm/in	OUT mm/in	
	m <sup>3</sup> /h	L/s	GPM	m	ft		Shaft kw	Motor kw	HP						
EA80/32	72.4	20.12	318.8	52.1	171.0	1750	17.72	22	29.5	Y2-200L-4 30KW	58	1.5	329(13")	100(4")	80(3")
	120.7	33.53	531.4	48.7	159.6		23.17	30	40.2		69	1.8			
	144.8	40.23	637.5	45.6	149.5		25.32	30	40.2		71	2			



Performance to ISO9906 Grade 2 for clean cold water only

EF-A02/1405

Project

Project ID

Created by

Created on

Last update