



Technical Data

Centrifugal Pump - EH100-65-315

Revision no.

 Page:
1

Receiver

From

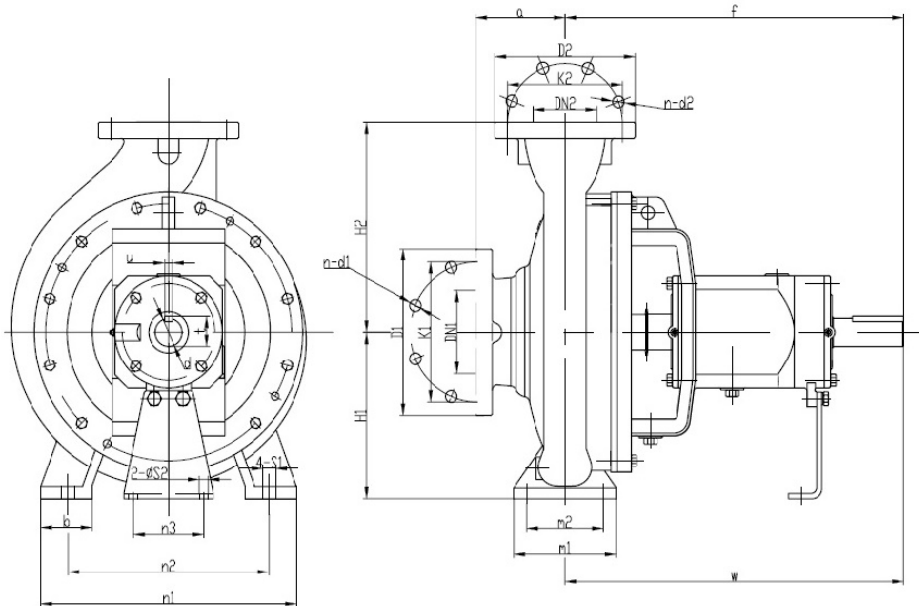
 Company name
 Respons. Department
 Person in charge
 Phone number
 Fax no
 E-mail address

--	--



Brand: Gol Pumps
Model: EH100-65-315

Weight (lb)	
Pump	268

Dimensions:


Suction flange	Suction		Discharge	Discharge		Imp. Dia		Shaft no.
	mm	in		mm	in	mm	in	
DN100	100	4	DN65	65	2.5	315	12.6	3

Pump installation size (inch)

a	f	h1	h2	b	m1	m2	n1	n2	n3	c1	c2	w	S1	S2	d	t	u	l
5	21.2	9	11.2	3.2	6.4	4.8	16	12.6	4.4	0.7	0.3	14.8	M16	M12	1.7	1.8	0.5	4.4

Project

Project ID

Created by

Created on

Last update



Performance Curves

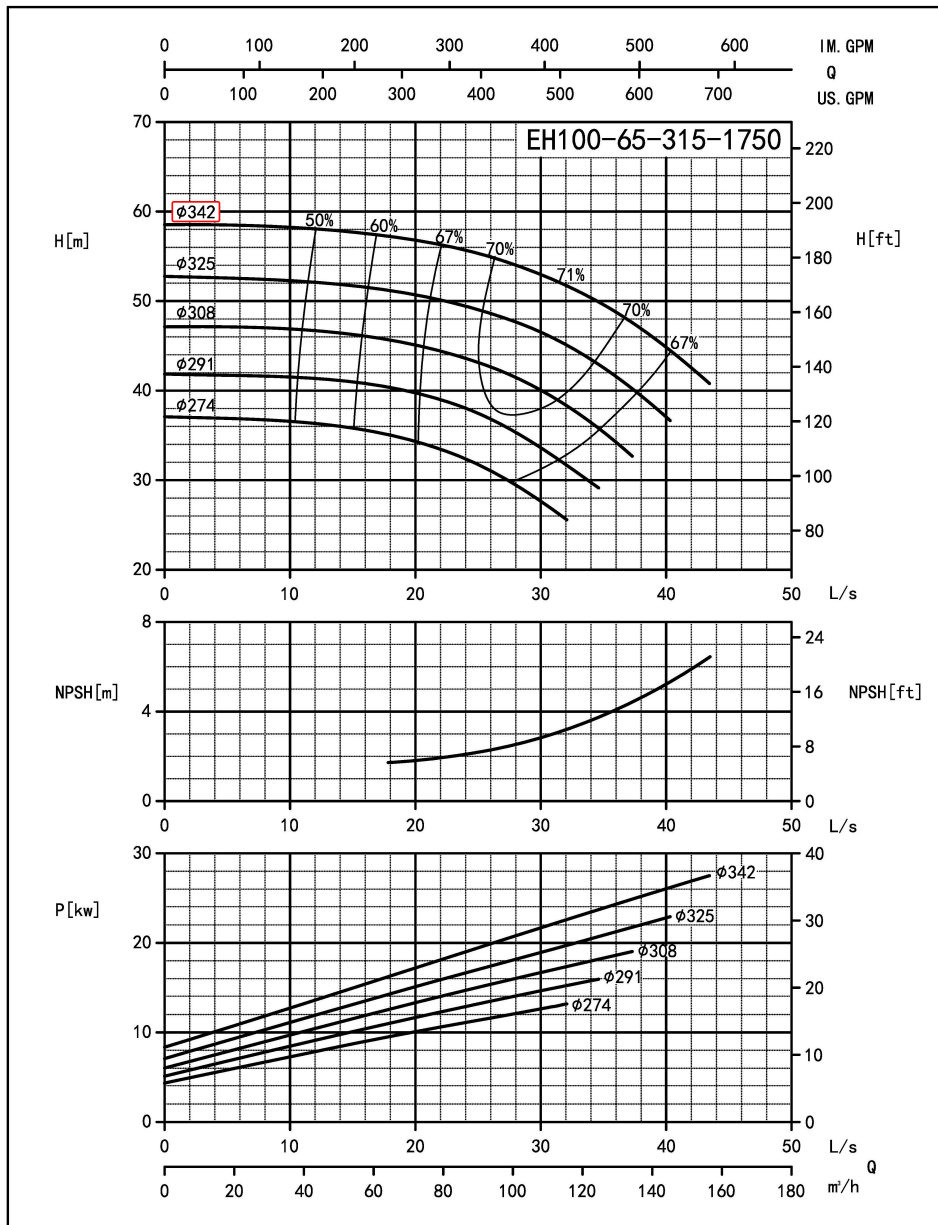
Centrifugal Pump - EH100-65-315

Revision no. _____
 Page: 2

Receiver	From

Company name
 Respons. Department
 Person in charge
 Phone number
 Fax no
 E-mail address

Model	Capacity				Head		Speed r/min	Power			Motor Model	Eff %	Impeller Dia.		NPSHr m		
	m ³ /h	L/s	GPM	GPH	m	Ft		Shaft	Motor								
								kw	kw	HP							
EH100-65-315	67.78	18.83	298.4	17904	57.10	187.28	1750	16.82	22.00	30.00	Y2-200L-4 30KW	62.7	342	13.5	1.8		
	112.97	31.38	497.4	29844	52.00	170.56		22.55	30.00	40.00						71	3.1
	135.56	37.66	596.9	35814	47.05	154.32		25.11	30.00	40.00						69.2	4.4



Performance to ISO9906 Grade 2 for clean cold water only

EF-A01/1603

Project	Project ID	Created by	Created on	Last update
---------	------------	------------	------------	-------------