



Technical Data

Centrifugal Pump - EH100-80-160

Revision no.

Page:
1

Receiver

From

Company name
Respons. Department
Person in charge
Phone number
Fax no
E-mail address

| |
|--|
| |
| |
| |
| |
| |
| |

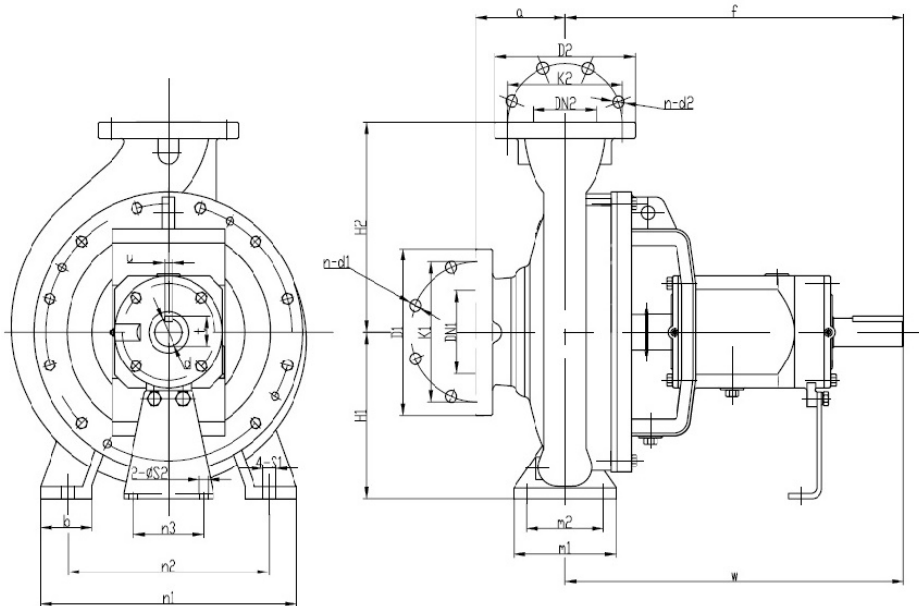
| |
|--|
| |
| |
| |
| |
| |
| |



Brand: Gol Pumps
Model: EH100-80-160

| Weight (lb) | |
|-------------|-----|
| Pump | 150 |

Dimensions:



| Suction flange | Suction | | Discharge | Discharge | | Imp. Dia | | Shaft no. |
|----------------|---------|----|-----------|-----------|----|----------|-----|-----------|
| | mm | in | | mm | in | mm | in | |
| DN100 | 100 | 4 | DN80 | 80 | 3 | 160 | 6.4 | 2 |

Pump installation size (inch)

| a | f | h1 | h2 | b | m1 | m2 | n1 | n2 | n3 | c1 | c2 | w | S1 | S2 | d | t | u | l |
|---|----|-----|----|-----|----|-----|------|-----|-----|-----|-----|------|-----|-----|-----|-----|-----|-----|
| 4 | 20 | 6.4 | 8 | 2.6 | 5 | 3.8 | 11.2 | 8.5 | 4.4 | 0.6 | 0.2 | 14.8 | M12 | M12 | 1.3 | 1.4 | 0.4 | 3.2 |

Project

Project ID

Created by

Created on

Last update



Performance Curves

Centrifugal Pump - EH100-80-160

Revision no.

Page:

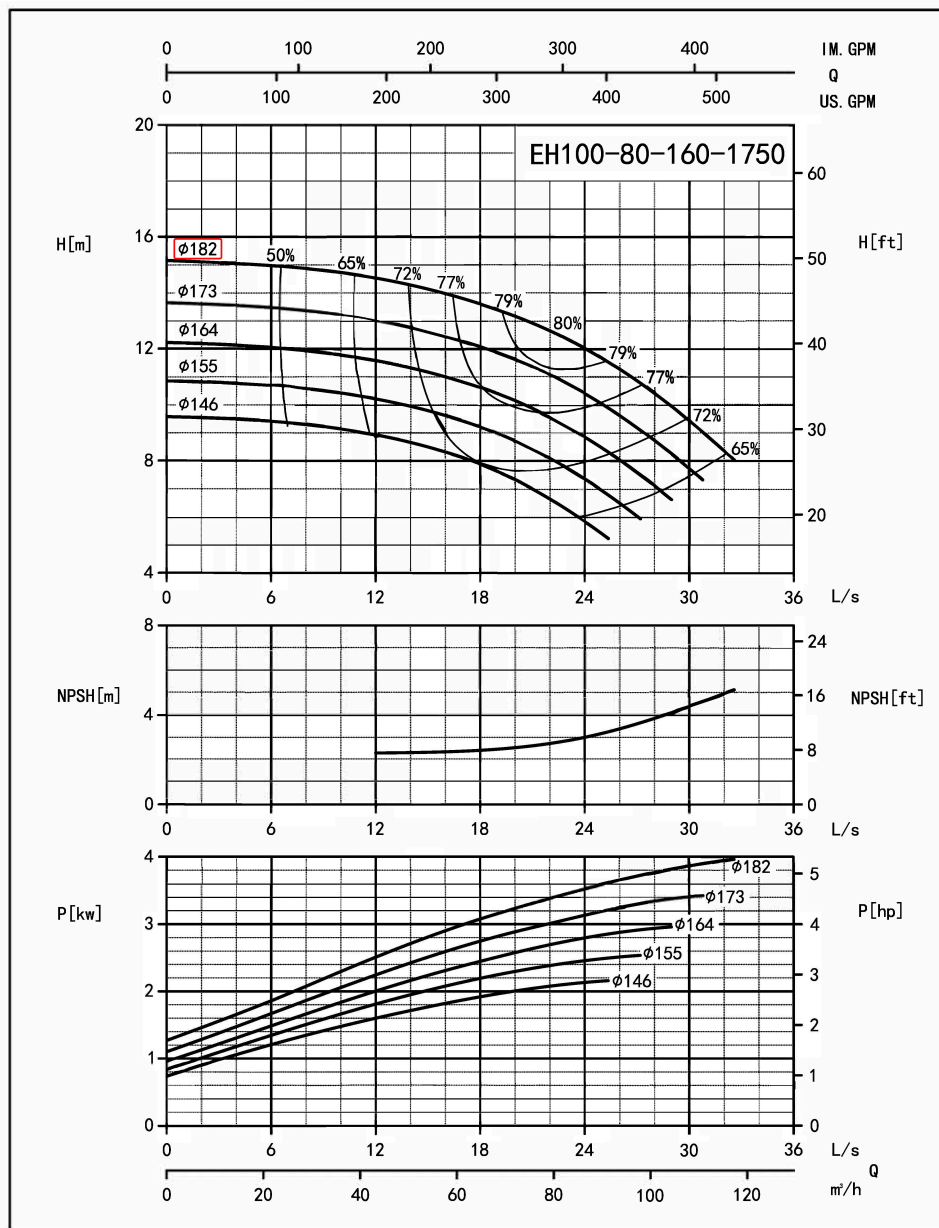
2

Receiver

From

 Company name
 Respons. Department
 Person in charge
 Phone number
 Fax no
 E-mail address

| Model | Capacity | | | | Head | | Speed r/min | Power | | | Motor Model | Eff % | Impeller Dia. | | NPSHr m | | |
|--------------|-------------------|-------|-------|-------|-------|------|----------------|-------|-------|------|--------------------|----------|---------------|-----|------------|------|-----|
| | m ³ /h | L/s | GPM | GPH | m | Ft | | Shaft | Motor | | | | | | | | |
| | | | | | | | | kw | kw | HP | | | | | | | |
| EH100-80-160 | 49.53 | 13.76 | 218.1 | 13086 | 14.30 | 46.9 | 1750 | 2.68 | 4.00 | 5.50 | Y2-132S-4 5.5KW | 72 | 182 | 7.2 | 2.2 | | |
| | 82.55 | 22.93 | 363.5 | 21810 | 12.38 | 40.6 | | 3.48 | 4.00 | 5.50 | | | | | | 80 | 3 |
| | 99.06 | 27.52 | 436.1 | 26166 | 10.68 | 35.0 | | 3.75 | 5.50 | 7.50 | | | | | | 76.9 | 3.9 |



Performance to ISO9906 Grade 2 for clean cold water only

EF-A01/1603

Project

Project ID

Created by

Created on

Last update



Performance Curves

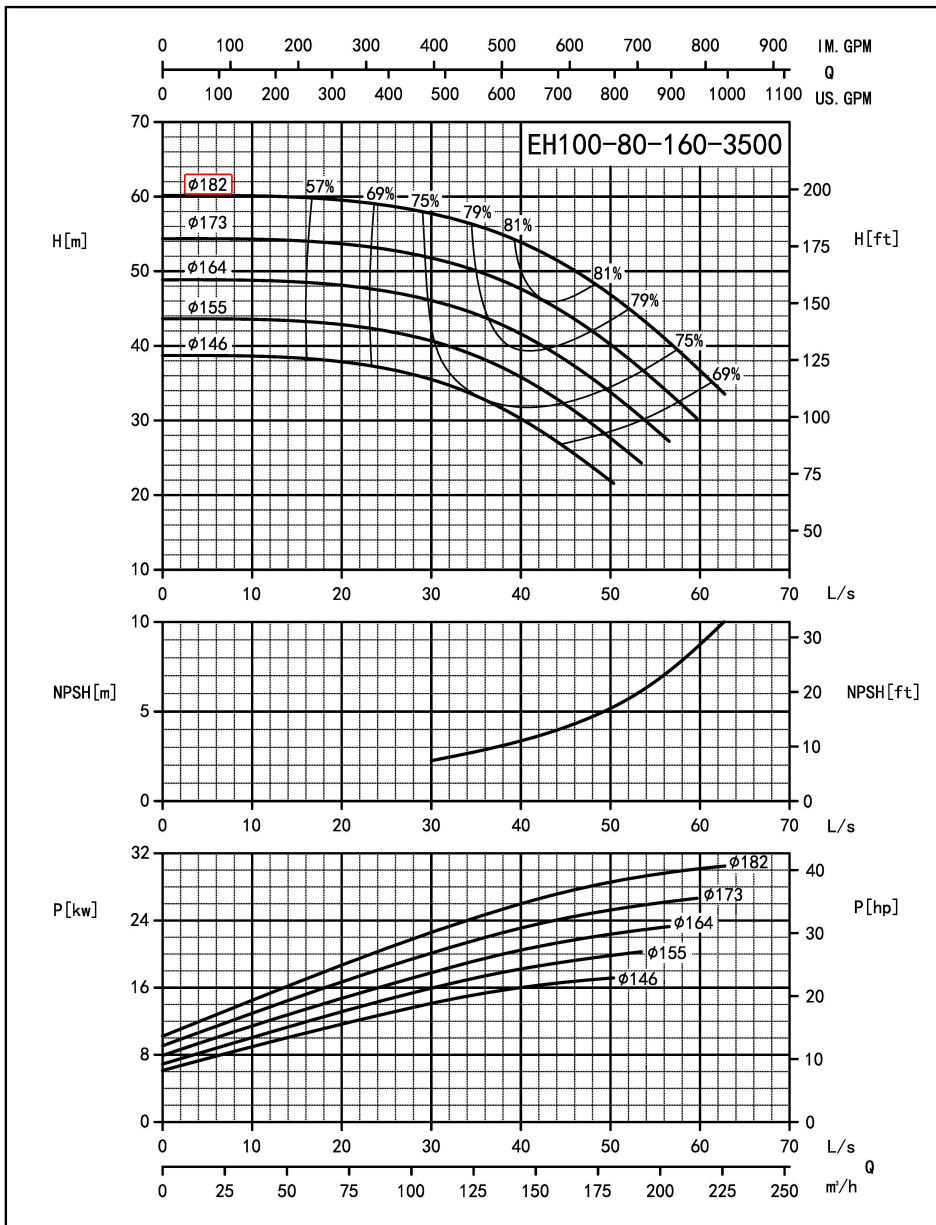
Centrifugal Pump - EH100-80-160

Revision no. _____
 Page: 3

| | |
|-----------------|-------------|
| Receiver | From |
| | |
| | |
| | |
| | |

Company name
 Respons. Department
 Person in charge
 Phone number
 Fax no
 E-mail address

| Model | Capacity | | | | Head | | Speed r/min | Power | | | Motor Model | Eff % | Impeller Dia. | | NPSHr m | | |
|--------------|-------------------|-------|-------|-------|-------|-------|----------------|-------------|-------|-------|--------------------|----------|---------------|-----|------------|------|-----|
| | m ³ /h | L/s | GPM | GPH | m | Ft | | Shaft kw | Motor | | | | | | | | |
| | | | | | | | | | kw | HP | | | mm | in | | | |
| EH100-80-160 | 99.06 | 27.52 | 436.1 | 26166 | 58.41 | 191.6 | 3500 | 21.54 | 30.00 | 40.00 | Y2-200L2-2 37KW | 73.2 | 182 | 7.2 | 2.3 | | |
| | 165.10 | 45.86 | 726.9 | 43614 | 50.11 | 164.4 | | 27.83 | 37.00 | 50.00 | | | | | | 81 | 4.1 |
| | 198.12 | 55.03 | 872.3 | 52338 | 42.10 | 138.1 | | 29.55 | 37.00 | 50.00 | | | | | | 76.9 | 6.8 |



Performance to ISO9906 Grade 2 for clean cold water only

EF-A01/1603

| | | | | |
|---------|------------|------------|------------|-------------|
| Project | Project ID | Created by | Created on | Last update |
|---------|------------|------------|------------|-------------|