



Technical Data

Centrifugal Pump - EH80-50-200

Revision no.

 Page:
1

Receiver

From

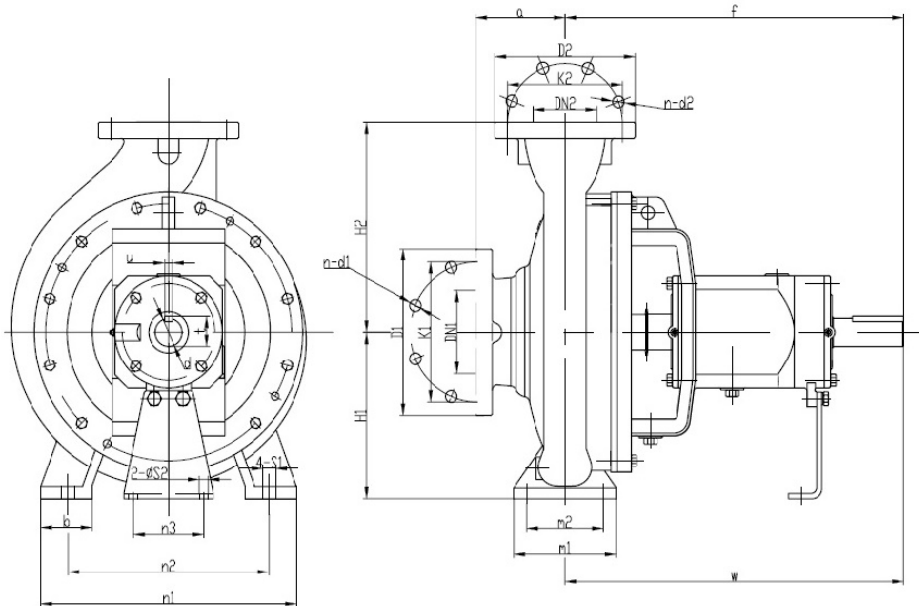
 Company name
 Respons. Department
 Person in charge
 Phone number
 Fax no
 E-mail address

--	--



Brand: Gol Pumps
Model: EH80-50-200

Weight (lb)	
Pump	117

Dimensions:


Suction flange	Suction		Discharge	Discharge		Imp. Dia		Shaft no.
	mm	in		mm	in	mm	in	
DN80	80	3.2	DN50	50	2	200	8	1

Pump installation size (inch)

a	f	h1	h2	b	m1	m2	n1	n2	n3	c1	c2	w	S1	S2	d	t	u	l
4	15.4	6.4	8	2	4	2.8	10.6	8.5	4.4	0.5	0.2	11.4	M12	M12	0.9	1.1	0.3	2

Project

Project ID

Created by

Created on

Last update



Performance Curves

Centrifugal Pump - EH80-50-200

Revision no.

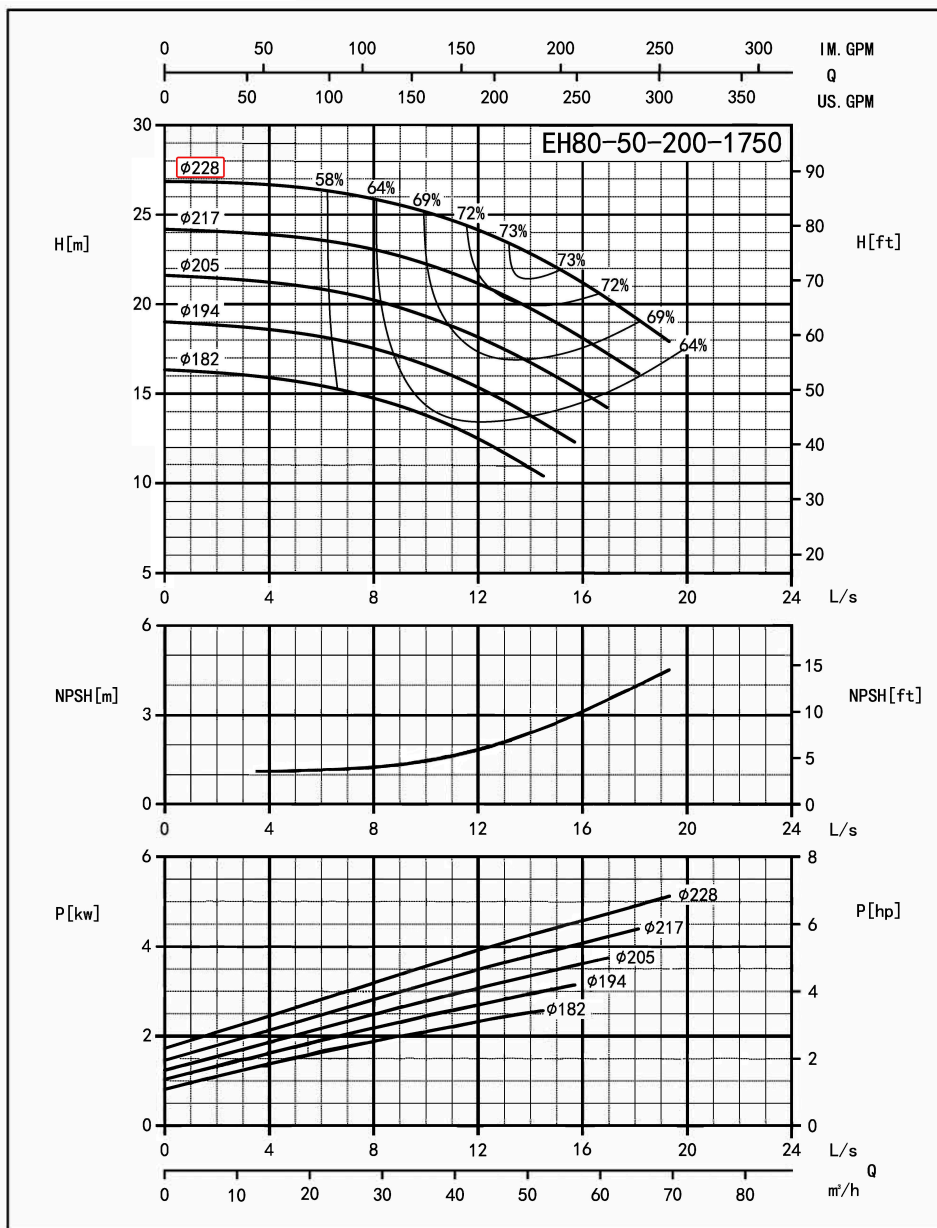
 Page:
2

Receiver

From

 Company name
 Respons. Department
 Person in charge
 Phone number
 Fax no
 E-mail address

Model	Capacity				Head		Speed r/min	Power			Motor Model	Eff %	Impeller Dia.		NPSHr m
	m ³ /h	L/s	GPM	GPH	m	Ft		Shaft	Motor						
								kw	kw	HP					
EH80-50-200	31.28	8.69	137.7	8262	25.78	84.6	1750	3.32	4.00	5.50	Y2-132S-4 5.5KW	66.2 73 70.7	228	9.0	1.3 2.7 3.8
	52.14	14.48	229.6	13776	22.43	73.6		4.37	5.50	7.50					
	62.57	17.38	275.5	16530	19.81	65.0		4.78	5.50	7.50					



Performance to ISO9906 Grade 2 for clean cold water only

EF-A01/1603

Project

Project ID

Created by

Created on

Last update



Performance Curves

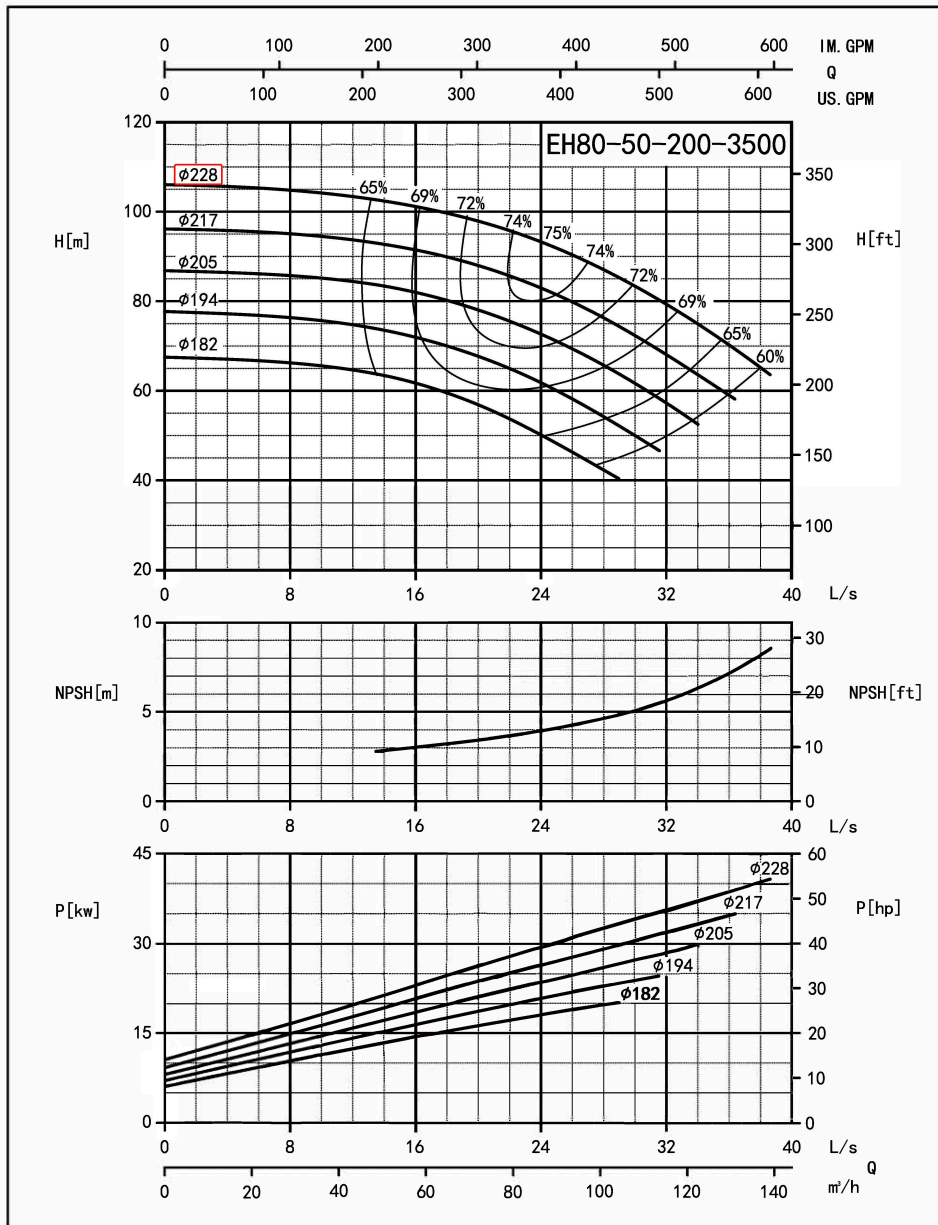
Centrifugal Pump - EH80-50-200

Revision no. _____
 Page: 3

Receiver	From

Company name
 Respons. Department
 Person in charge
 Phone number
 Fax no
 E-mail address

Model	Capacity				Head		Speed r/min	Power			Motor Model	Eff %	Impeller Dia.		NPSHr m		
	m ³ /h	L/s	GPM	GPH	m	Ft		Shaft	Motor								
								kw	kw	HP							
EH80-50-200	52.14	14.48	229.6	13776	102.11	334.9	3500	21.72	30.00	40.00	Y2-200L2-2 37KW	66.8	228	9.0	2.9		
	86.90	24.14	382.6	22956	93.22	305.8		29.43	37.00	50.00						75	4
	104.28	28.97	459.1	27546	85.36	280.0		33.32	37.00	50.00						72.8	4.9



Performance to ISO9906 Grade 2 for clean cold water only

EF-A01/1603

Project	Project ID	Created by	Created on	Last update
---------	------------	------------	------------	-------------