



# Technical Data

## Trash Pump - EJ80-140

Revision no.

Page:  
1

Receiver

From

Company name  
Respons. Department  
Person in charge  
Phone number  
Fax no  
E-mail address

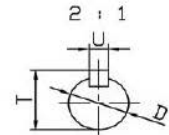
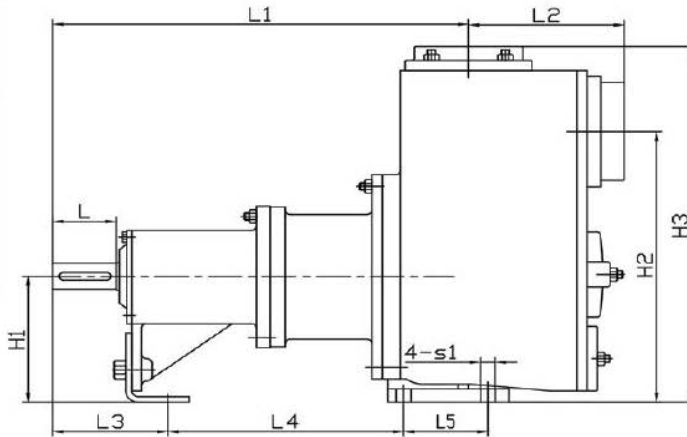
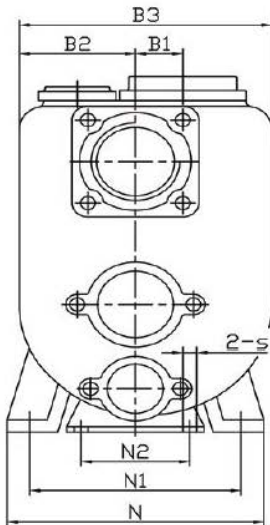




**Brand: Gol Pumps**  
**Model: EJ80-140**

Weight (lb)	
Pump	121

**Dimensions:**



**Pump installation size (inch)**

B1	B2	B3	L1	L2	H1	H2	H3	N2	N1	N	L	L3	L4	L5	s1	s	T	U	D
1.8	4.4	9.6	15.7	5.9	5.3	11.6	15.2	3.6	8	9.8	2.4	4.4	8.9	3.2	∅14	∅14	1.2	0.3	∅28

Project

Project ID

Created by

Created on

Last update



# Performance Curves

## Trash Pump - EJ80-140

Revision no.

 Page:  
2

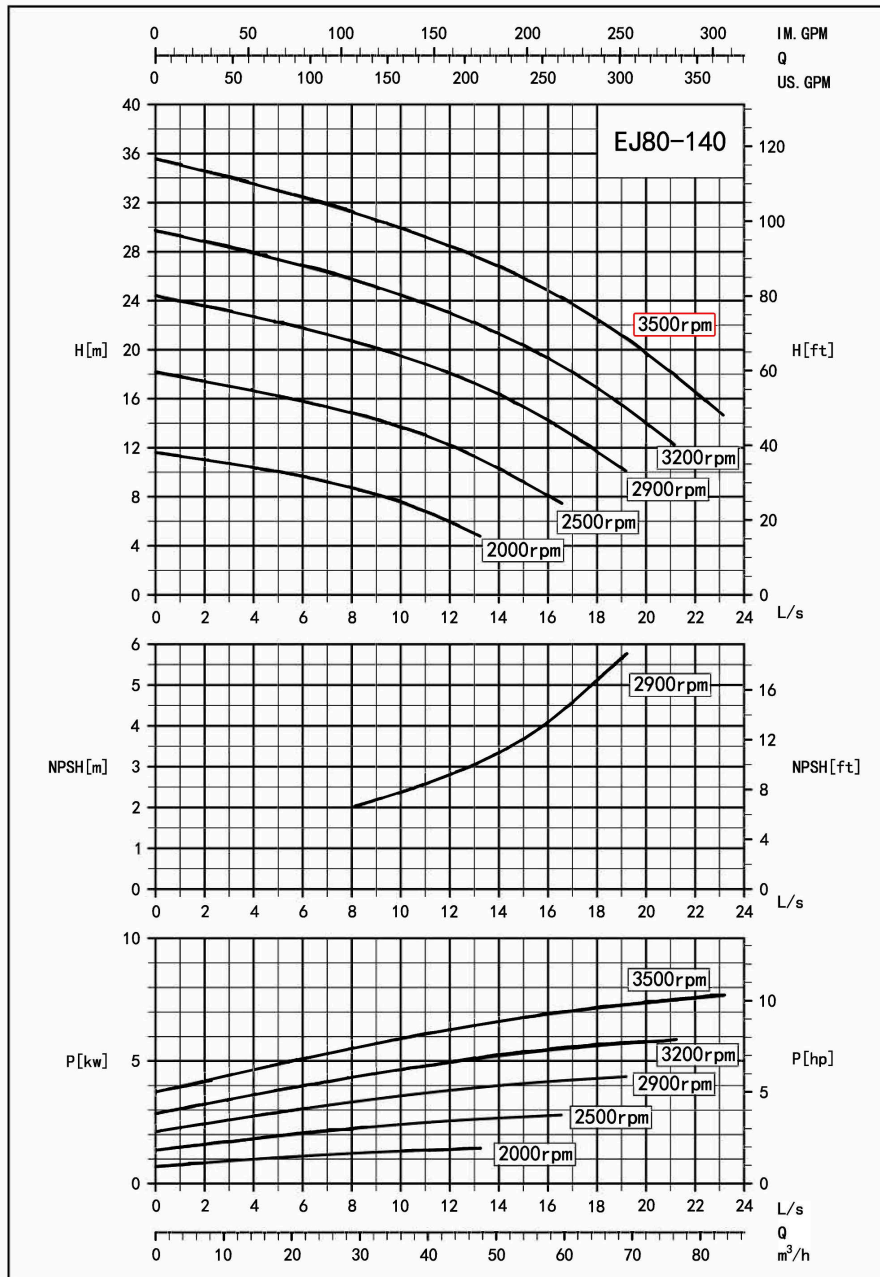
Receiver

From

 Company name  
 Respons. Department  
 Person in charge  
 Phone number  
 Fax no  
 E-mail address



Model	Inlet and Outlet diam.		Solid		Flow		Head		Speed	Power	
	mm	in	mm	in	m <sup>3</sup> /h	gpm	m	ft	rpm	kw	hp
EJ80-140	80	3	28	1.1	24	105.7	31	101.7	3500	11	15
					50	220.1	26	85.3			
					80	352.2	14	45.9			



Project

Project ID

Created by

Created on

Last update