



Technical Data

Vertical In-line Pump - EG100-8032-30004

Revision no.

 Page:
1

Receiver

From

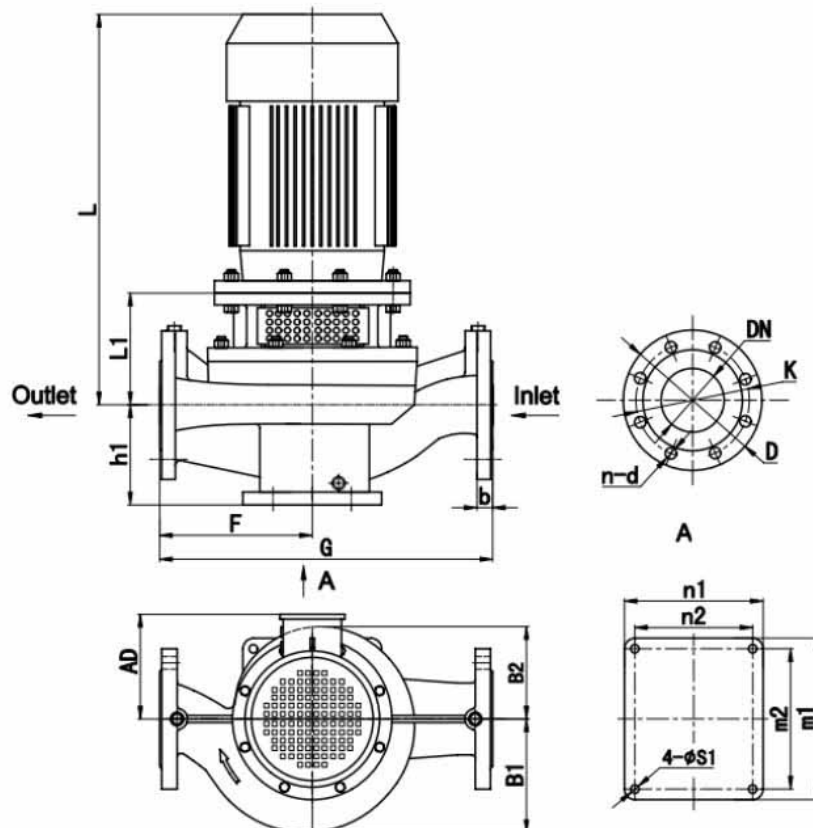
 Company name
 Respons. Department
 Person in charge
 Phone number
 Fax no
 E-mail address


Brand: Gol Pumps
Model: EG100-8032-30004

Motor (V1)	
Model	hp
Y2-200L-4	40

Weight (lb)		
Pump	Motor	Pump & motor
295	529	822

Dimensions:



Pump installation size (inch)

h1	L1	F	G	L	AD	B1	B2	n2 x m2	n1 x m1	s1	DN	D	K	n - d	b
7.3	9.3	13.4	27.6	35.3	12	9.3	8.3	7.9 x 9.8	9.8 x 11.8	0.7	3.9	8.7	7.1	8 - φ18	0.9

Project

Project ID

Created by

Created on

Last update



Performance Curves

Vertical In-line Pump - EG100-8032-30004

Revision no.

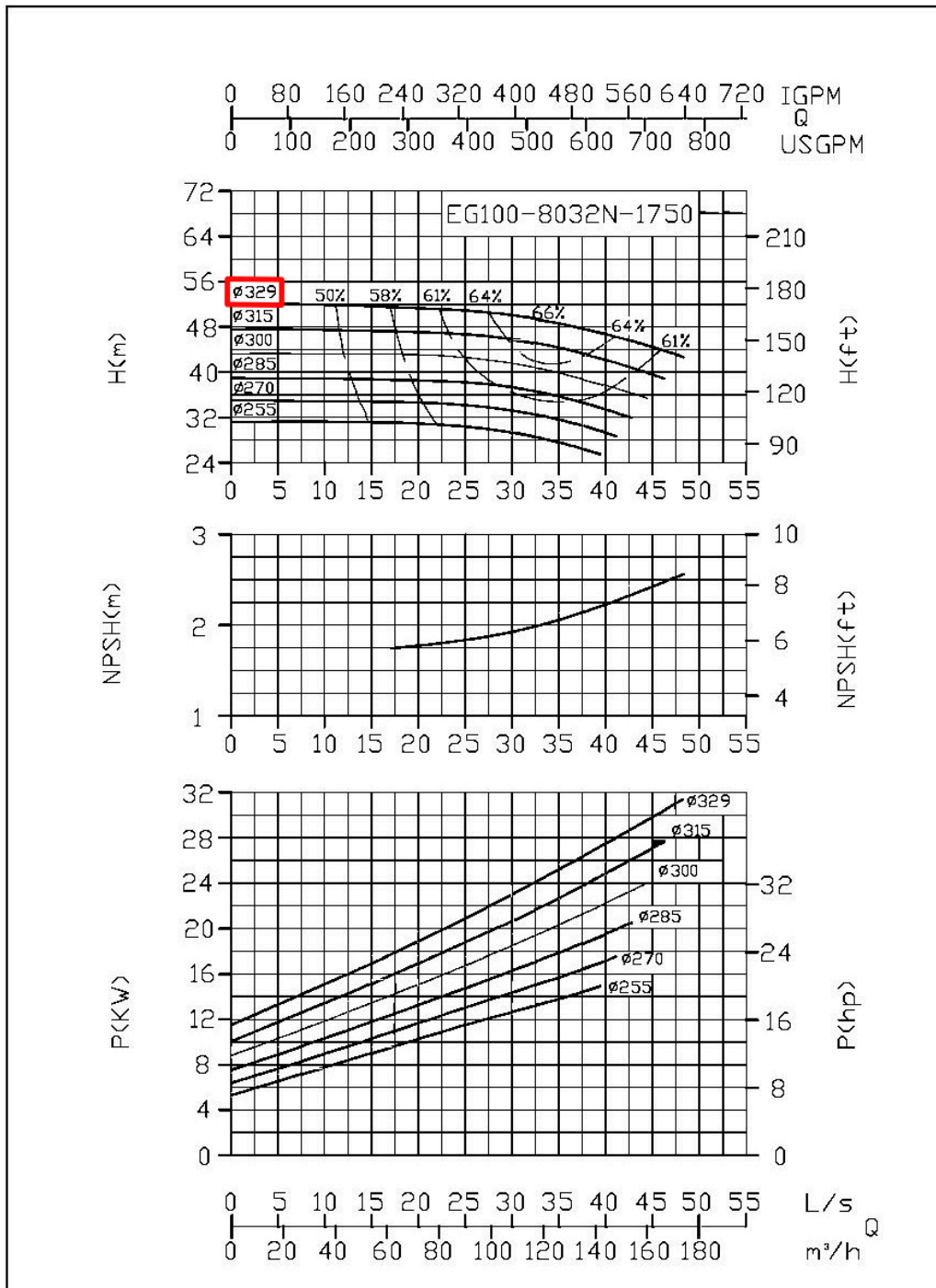
 Page:
2

Receiver

From

 Company name
 Respons. Department
 Person in charge
 Phone number
 Fax no
 E-mail address

Model	Capacity			Head		Speed	Motor	Voltage	Phase	Impeller Diam.	
	m ³ /h	l/s	gpm	m	ft	r/min	hp	v		mm	inch
EG100-8032-30004	72.4	20.1	318.8	52.1	171	1750	30	460	3	329	12.9
	121	33.5	532.7	49	160		40				
	145	40.2	638.4	46	149.5		40				



Project

Project ID

Created by

Created on

Last update