



Technical Data

Vertical In-line Pump - EG125-10016-05504

Revision no.

Page:
 1

Receiver

From

Company name
 Respons. Department
 Person in charge
 Phone number
 Fax no
 E-mail address

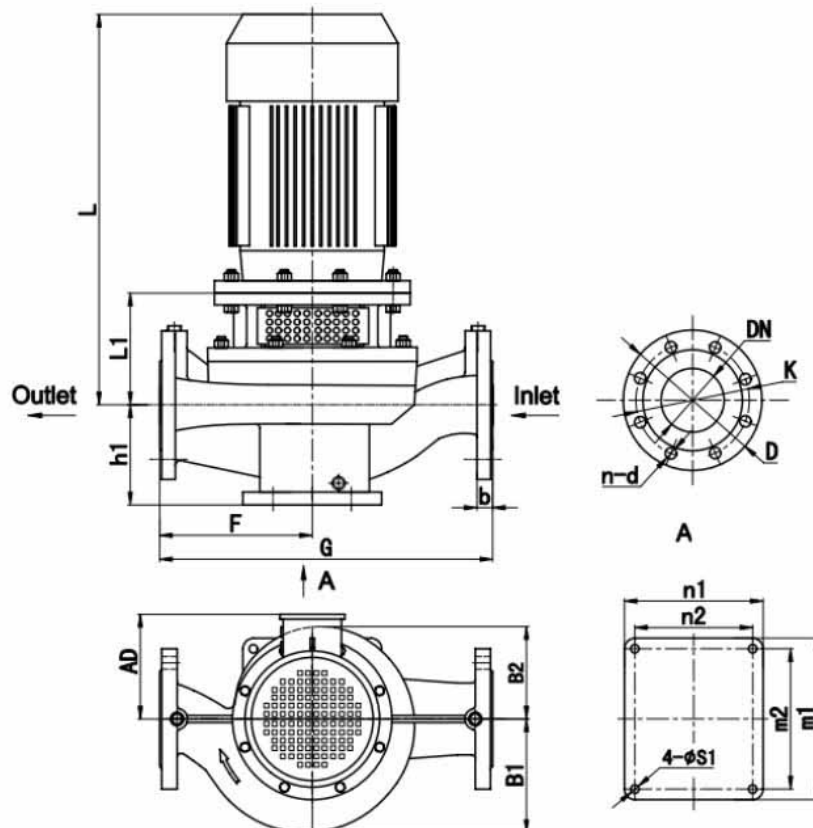


Brand: Gol Pumps
Model: EG125-10016-05504

Motor (V1)	
Model	hp
Y2-132S-4	7.5

Weight (lb)		
Pump	Motor	Pump & motor
227	143	375

Dimensions:



Pump installation size (inch)															
h1	L1	F	G	L	AD	B1	B2	n2 x m2	n1 x m1	s1	DN	D	K	n - d	b
8.7	8	13	27.2	23.3	8.3	8	6.4	10.2 x 10.2	11.8 x 11.8	0.6	4.9	9.8	8.3	8 - φ18	1

Project	Project ID	Created by	Created on	Last update
---------	------------	------------	------------	-------------



Performance Curves

Vertical In-line Pump - EG125-10016-05504

Revision no.

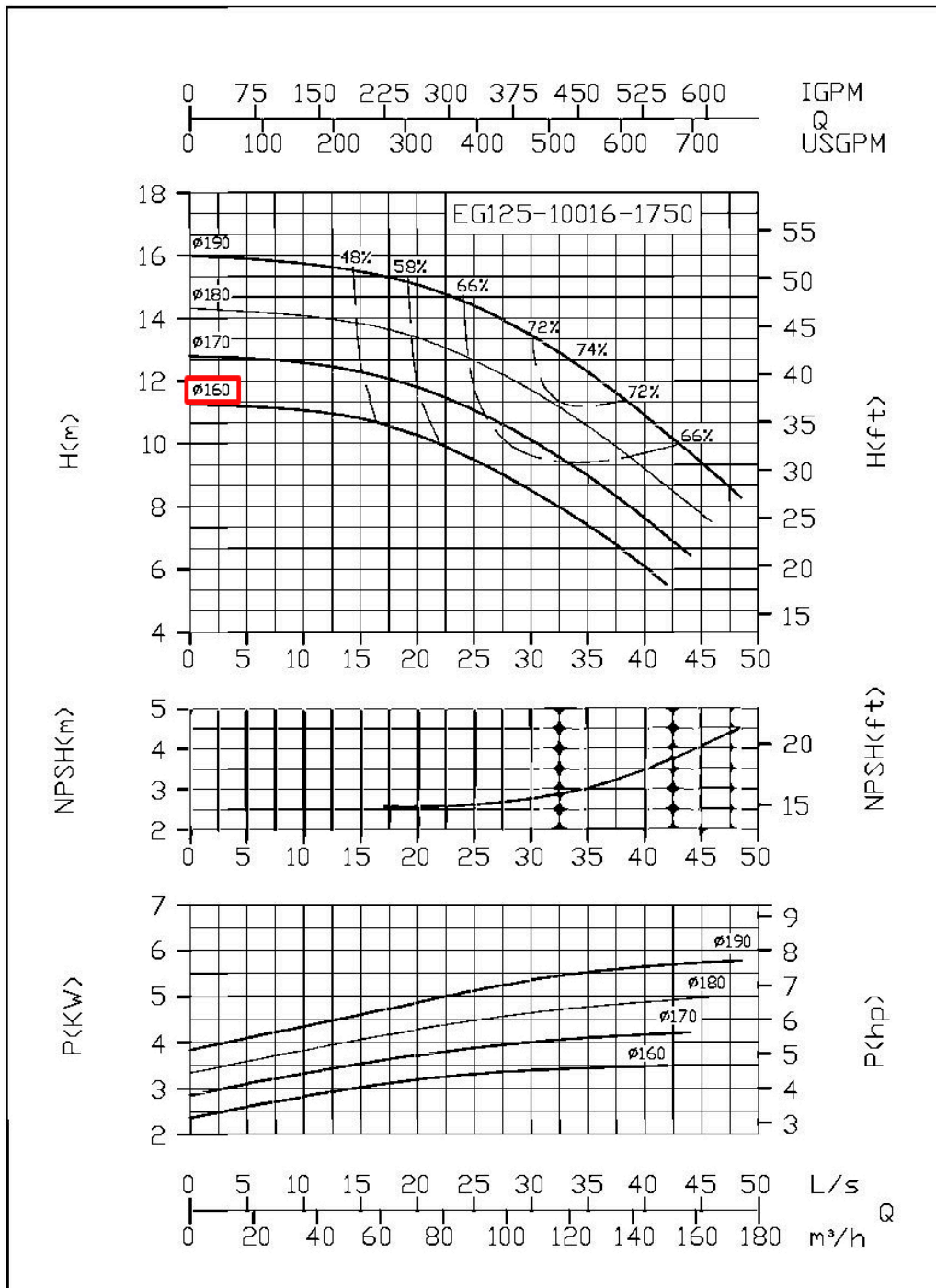
 Page:
2

Receiver

From

 Company name
 Respons. Department
 Person in charge
 Phone number
 Fax no
 E-mail address

Model	Capacity			Head		Speed	Motor	Voltage	Phase	Impeller Diam.	
	m ³ /h	l/s	gpm	m	ft	r/min	hp	v		mm	inch
EG125-10016-05504	85.5	24	376.4	11.4	37.3	1750	7.5	460	3	165	6.5
	143	40	629.6	9	30		7.5				
	171.1	47.5	753.3	8	26.3		7.5				



Project

Project ID

Created by

Created on

Last update