



Technical Data

End Suction Pump - EAZS40/13-00754

Revision no.

 Page:
1

Receiver

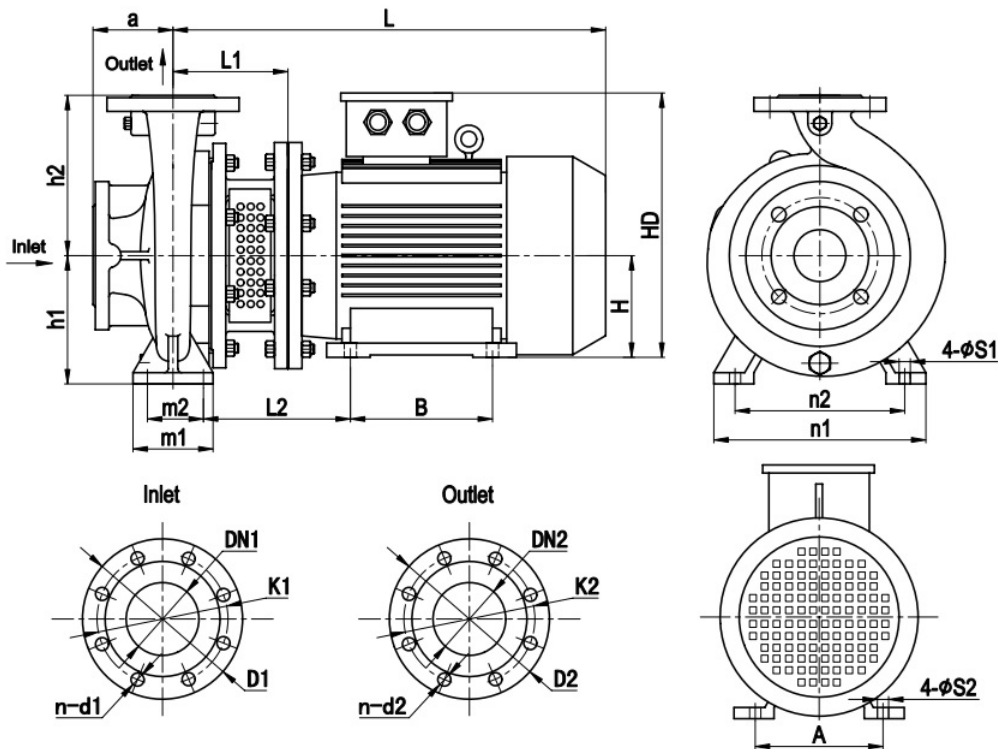
From

 Company name
 Respons. Department
 Person in charge
 Phone number
 Fax no
 E-mail address

Brand: Gol Pumps
Model: EAZS40/13-00754

Motor (B35)	
Model	hp
Y2-802-4	1

Weight (lb)		
Pump	Motor	Pump & motor
64	37	104

Dimensions:


ISO7005.2 DIN2501 PN16 GB/T17241.6 PN1.6									
DN1 / DN2	1.25	1.5	2	2.5	3	4	5	6	8
D1 / D2	5.51	5.91	6.50	7.28	7.87	8.66	9.84	11.22	13.39
K1 / K2	3.94	4.33	4.92	5.71	6.30	7.09	8.27	9.45	11.61
n-d1 / n-d2	4-∅18	4-∅18	4-∅18	4-∅18	8-∅18	8-∅18	8-∅18	8-∅22	12-∅22

Inlet and outlet flange	
DN1	DN2
2.5	1.5

Pump installation size (inch)															
a	h1	h2	L1	L2	L	A	B	H	HD	m1	m2	n1	n2	S1	S2
3.15	4.41	5.51	5.98	6.57	16.02	4.92	3.94	3.15	8.66	3.94	2.76	7.48	5.51	0.55	0.39

Project

Project ID

Created by

Created on

Last update



Performance Curves

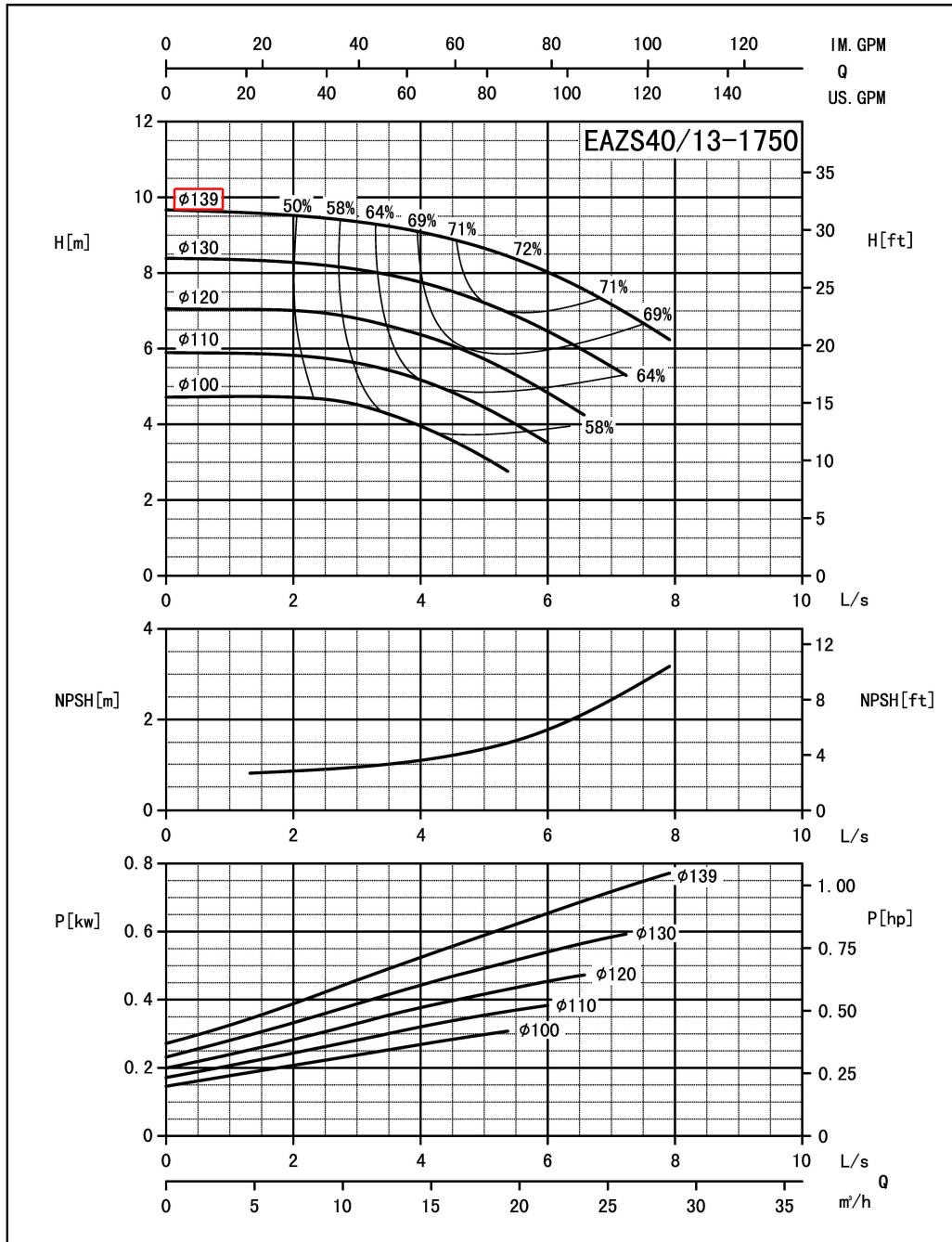
End Suction Pump - EAZS40/13-00754

Revision no. _____
Page: 2

Receiver	From

Company name _____
 Respons. Department _____
 Person in charge _____
 Phone number _____
 Fax no _____
 E-mail address _____

Model	Capacity		Head	Speed	Power (kw)		Motor (hp)	Efficiency	Impeller Diam.	(NPSH) r
	m ³ /h	gpm	ft	r/min	Shaft	Motor		%	inch	ft
EAZS40/13-00754	8.7	38.3	30.6	1750	0.4	0.55	0.75	59	5.5	5.9
	14.5	63.9	28.7		0.5	0.75	1	71		6.6
	17.4	76.7	26.8		0.5	0.75	1	72		7.9



Performance to ISO9906 Grade 2 for clean cold water only

EF•A01/1406

Project	Project ID	Created by	Created on	Last update
---------	------------	------------	------------	-------------