



Technical Data

End Suction Pump - EAZS50/13-01504

Revision no.

 Page:
1

Receiver

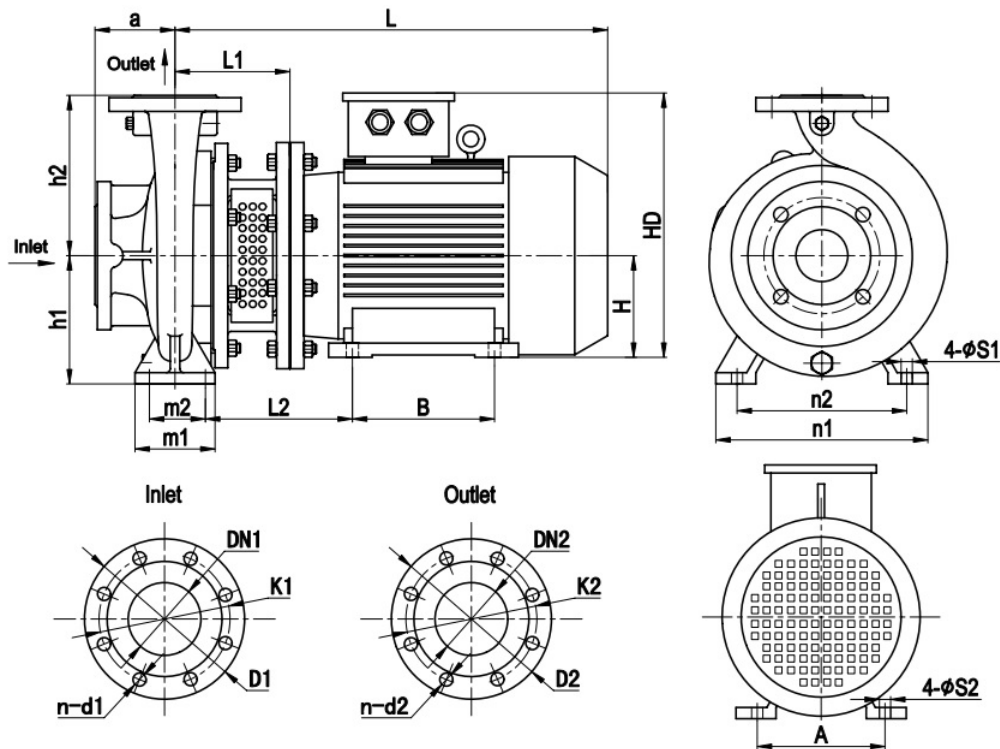
From

 Company name
 Respons. Department
 Person in charge
 Phone number
 Fax no
 E-mail address

Brand: Gol Pumps
Model: EAZS50/13-01504

Motor (B35)	
Model	hp
Y2-90L-4	2

Weight (lb)		
Pump	Motor	Pump & motor
68	60	128

Dimensions:


ISO7005.2 DIN2501 PN16 GB/T17241.6 PN1.6									
DN1 / DN2	1.25	1.5	2	2.5	3	4	5	6	8
D1 / D2	5.51	5.91	6.50	7.28	7.87	8.66	9.84	11.22	13.39
K1 / K2	3.94	4.33	4.92	5.71	6.30	7.09	8.27	9.45	11.61
n-d1 / n-d2	4-∅18	4-∅18	4-∅18	4-∅18	8-∅18	8-∅18	8-∅18	8-∅22	12-∅22

Inlet and outlet flange	
DN1	DN2
2.5	2

Pump installation size (inch)															
a	h1	h2	L1	L2	L	A	B	H	HD	m1	m2	n1	n2	S1	S2
3.94	5.20	6.30	5.98	6.81	17.60	5.51	4.92	3.54	9.84	3.94	2.76	9.45	7.48	0.55	0.39

Project

Project ID

Created by

Created on

Last update



Performance Curves

End Suction Pump - EAZS50/13-01504

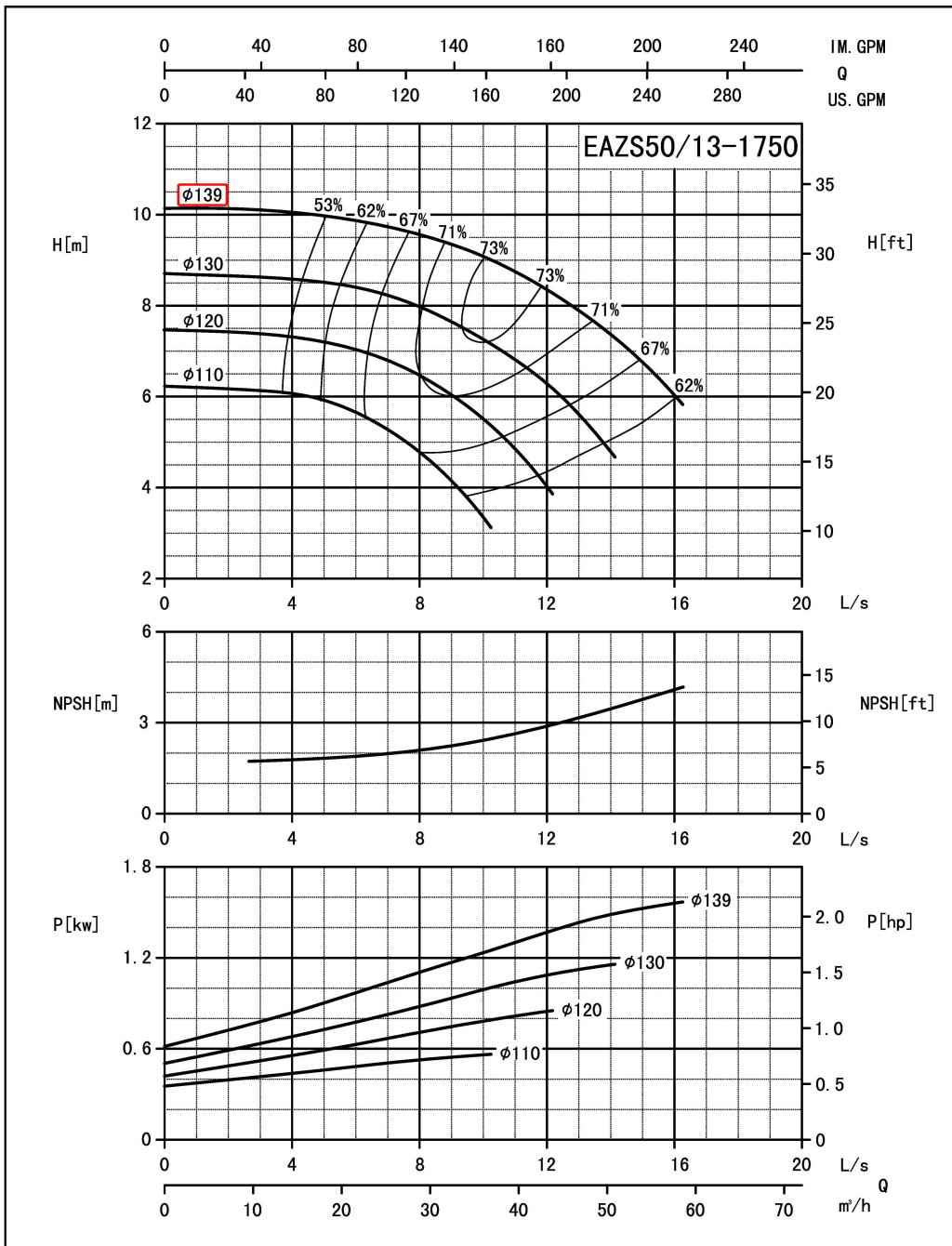
Revision no.

Page:
 2

Receiver	From

Company name
 Respons. Department
 Person in charge
 Phone number
 Fax no
 E-mail address

Model	Capacity		Head	Speed	Power (kw)		Motor (hp)	Efficiency	Impeller Diam.	(NPSH) r
	m ³ /h	gpm	ft	r/min	Shaft	Motor		%	inch	ft
EAZS50/13-01504	17.4	76.5	32.5	1750	0.8	1.1	1	59	5.5	7.2
	28.9	127.4	30.1		1	1.5	2	72		7.9
	34.7	152.9	27.7		1.1	1.5	2	73		8.9



Performance to ISO9906 Grade 2 for clean cold water only

EF-A01/1406

Project	Project ID	Created by	Created on	Last update
---------	------------	------------	------------	-------------