



Technical Data

Submersible Motor- 10F150

Revision no.

Page:
1

Receiver

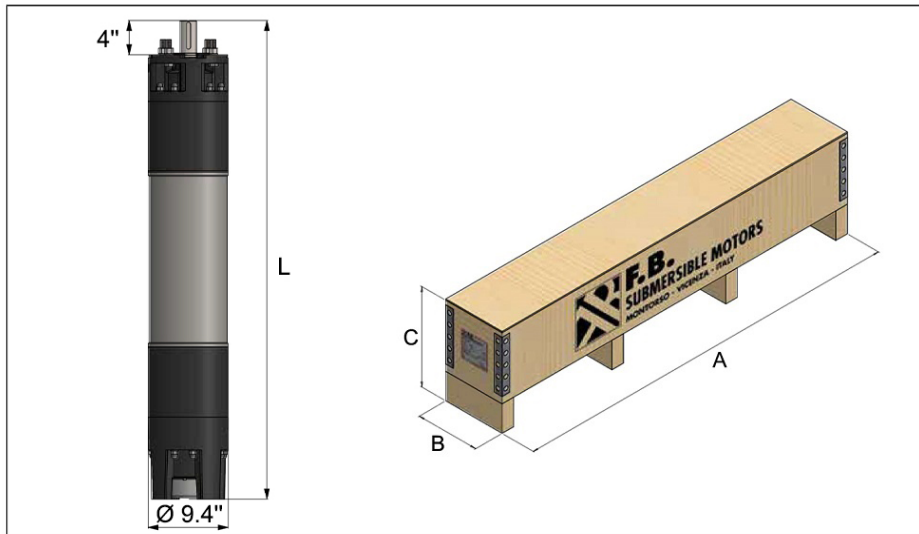
From

Company name
Respons. Department
Person in charge
Phone number
Fax no
E-mail address



Brand: F.B.
Model: 10F150

Dimensions:



L	Net Weight	Case Dimensions (in)			Gross Weight
in	lb	A	B	C	lb
71.3	787.6	80.7	13.8	17.7	840.4

Project

Project ID

Created by

Created on

Last update



Technical Data

Submersible Motor- 10F150

Revision no.

Page:

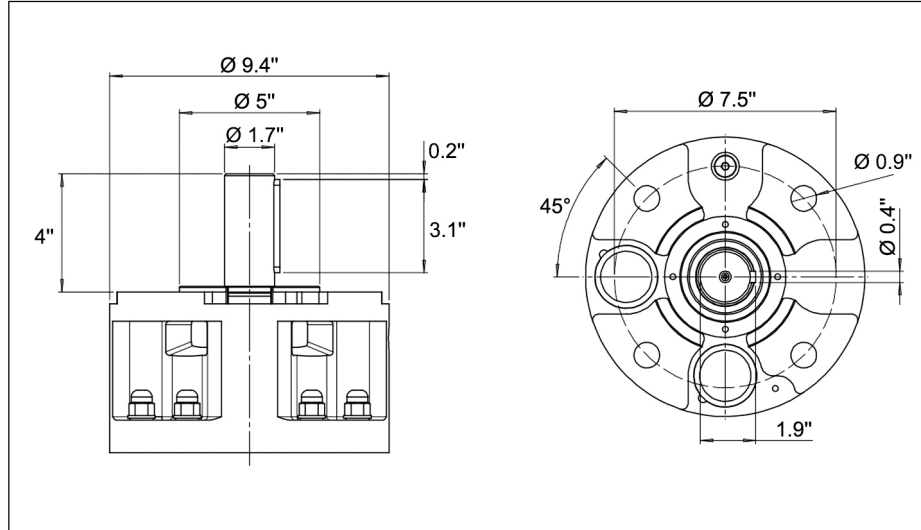
2

Receiver

From

 Company name
 Respons. Department
 Person in charge
 Phone number
 Fax no
 E-mail address

Coupling Dimensions:



Datasheet:

Model		10F150
P_{MAX}	HP	150
	kW	110
U_N	V	460
I_N	A	189
I_A	A	851
η (Eff.) %	2/4	86.5
	3/4	87.6
	4/4	87.1
COSφ (PF)	2/4	0.76
	3/4	0.82
	4/4	0.84
RPM	n	3507
Thrust	N	80000
Max. water T in °F	PVC	86
	PE2 + PA	140
	HT	158
Cable Ø	(mm²)	(1x35)x3
Cable L	ft	14.8

Project

Project ID

Created by

Created on

Last update



Parts List and Materials

Submersible Motor- 10F150

Revision no.

Page:

1

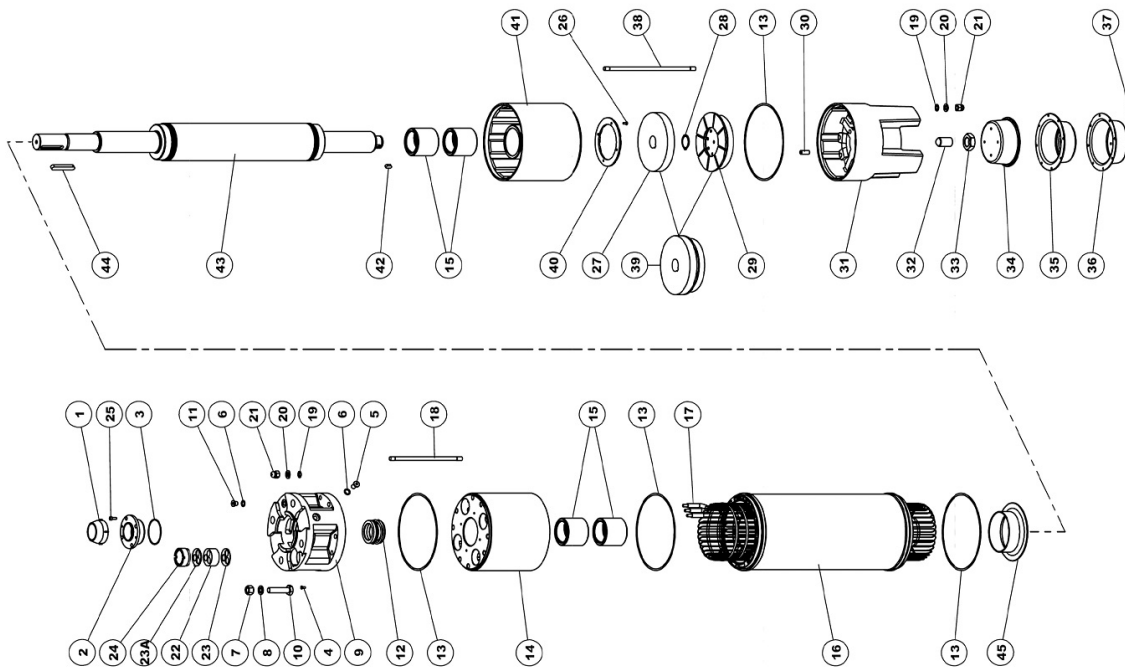
Receiver

From

Company name
 Respons. Department
 Person in charge
 Phone number
 Fax no
 E-mail address

Pos.	Qt.	Components	Standard
23A	2/3	Locking cable-press	AISI 316 / Wr 14401
24	2/3	Ring nut	AISI 316 / Wr 14401
25	4	Screw	AISI 316 / Wr 14401
26	4	Screw	AISI 316 / Wr 14401
27	1	Thrust disk	Steel/Graphite/Resin
28	1	Seeger ring	Iron
29	8	Thrust sliding	AISI 420
30	2	Cylindrical plug	Iron
31	1	Base	AISI 316 / Wr 14401
32	1	Screw	Iron
33	1	Nut	Iron
34	1	Internal cover	AISI 316 / Wr 14401
35	1	Membrane	NBR 60
36	1	External cover	AISI 316 / Wr 14401
37	8	Screw	AISI 316 / Wr 14401
38	8	Lower tension rod	AISI 316 / Wr 14401
39	1	Complete thrust bearing	-
40	1	Striker disk	Bronze
41	1	Lower support	AISI 316 / Wr 14401
42	1	Key	Iron
43	1	Rotor	Duplex / Wr 14462
44	1	Key	AISI 316 / Wr 14401
45	1	Protective ring	PA 66

Pos.	Qt.	Components	Standard
1	1	Sand guard	NBR 90
2	1	Cover	
3	1	OR ring	Rubber
4	1	Screw	AISI 316 / Wr 14401
5	1	Valve	AISI 316 / Wr 14401
6	2	Washer	-
7	4/6	Nut	AISI 316 / Wr 14401
8	4/6	Washer	AISI 316 / Wr 14401
9	1	Upper flange	AISI 316 / Wr 14401
10	4/6	Screw	
11	1	Plug	AISI 316 / Wr 14401
12	1	Mechanical seal	SIC - SIC + NBR
13	4	Gasket	Pepper
14	1	Upper support	AISI 316 / Wr 14401
15	4	Seal bushing	Graphite
16	1	Stator	AISI 316 / Wr 14401
17	3/6	Single core round cable	EPR 0.6-1 KV
18	6/8	Upper tension rod	AISI 316 / Wr 14401
19	14/1t	Gasket	-
20	14/16	Washer	AISI 316 / Wr 14401
21	14/1t	Nut	AISI 316 / Wr 14401
22	2/3	Cable-press gasket	EPDM 35
23	2/3	Cable-press	AISI 316 / Wr 14401



Project

Project ID

Created by

Created on

Last update