



# Technical Data

## Submersible Motor - MSX153-50C

Revision no.

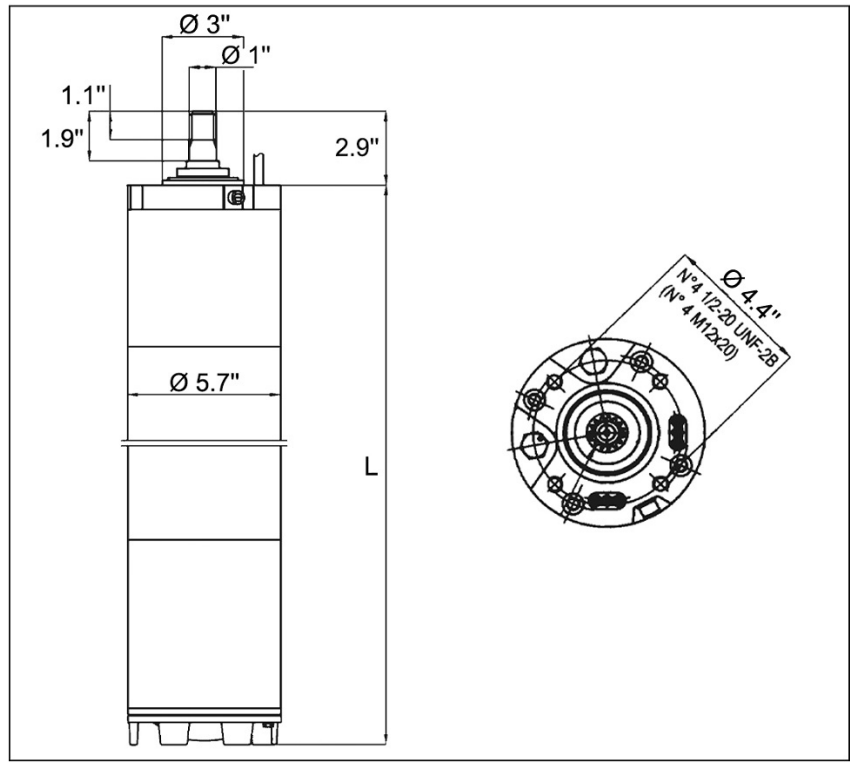
Page:  
 1

	Receiver	From
Company name		
Respons. Department		
Person in charge		
Phone number		
Fax no		
E-mail address		



**Brand: Saer**  
**Model: MSX153-50C**  
**Made in Italy**

**Dimensions:**



Flange Conection	Diameter	L	Net Weight
	in	in	lb
Nema	6	48.2	264

Project	Project ID	Created by	Created on	Last update
---------	------------	------------	------------	-------------



## Technical Data

### Submersible Motor - MSX153-50C

Revision no.

Page:

2

Receiver

From

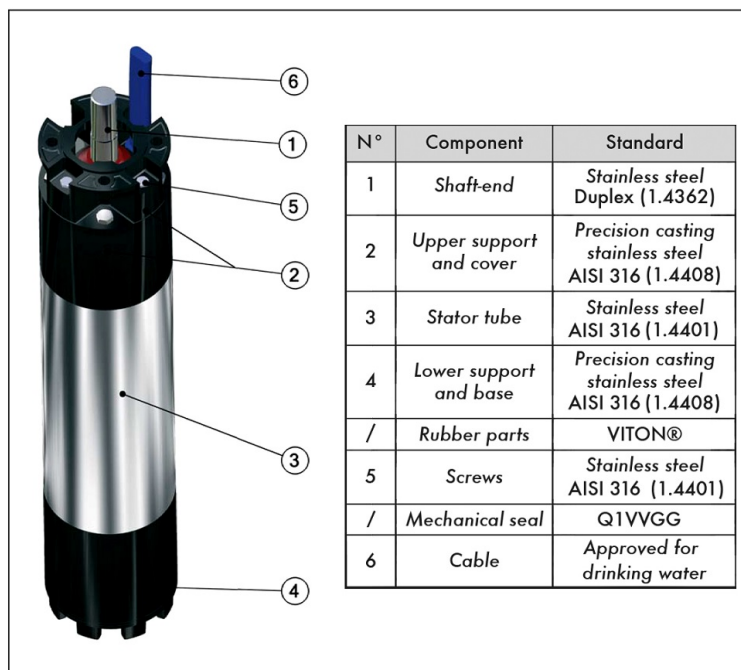
 Company name  
 Respons. Department  
 Person in charge  
 Phone number  
 Fax no  
 E-mail address

### Datasheet:

Motor		MSX153-50C
Rated Output	HP	50
	kW	37
Rated Voltage	V	460
Rated Current	A	60.9
RPM	min <sup>-1</sup>	3465
$\eta$ (Eff.) %	50%	83.2
	75%	85.8
	100%	86.2
COS $\phi$ (PF)	50%	0.78
	75%	0.86
	100%	0.88
I <sub>a</sub> / I <sub>n</sub>		6.65
C <sub>a</sub> / C <sub>n</sub>		2.4
Axial Thrust	lb	4000

- I<sub>a</sub> / I<sub>n</sub>: Locked rotor current/Rated amperage
- C<sub>a</sub> / C<sub>n</sub>: Locked rotor Torque/Rated Torque

### Materials:



Project

Project ID

Created by

Created on

Last update



# Parts List

## Submersible Motor - MSX153-50C

Revision no.

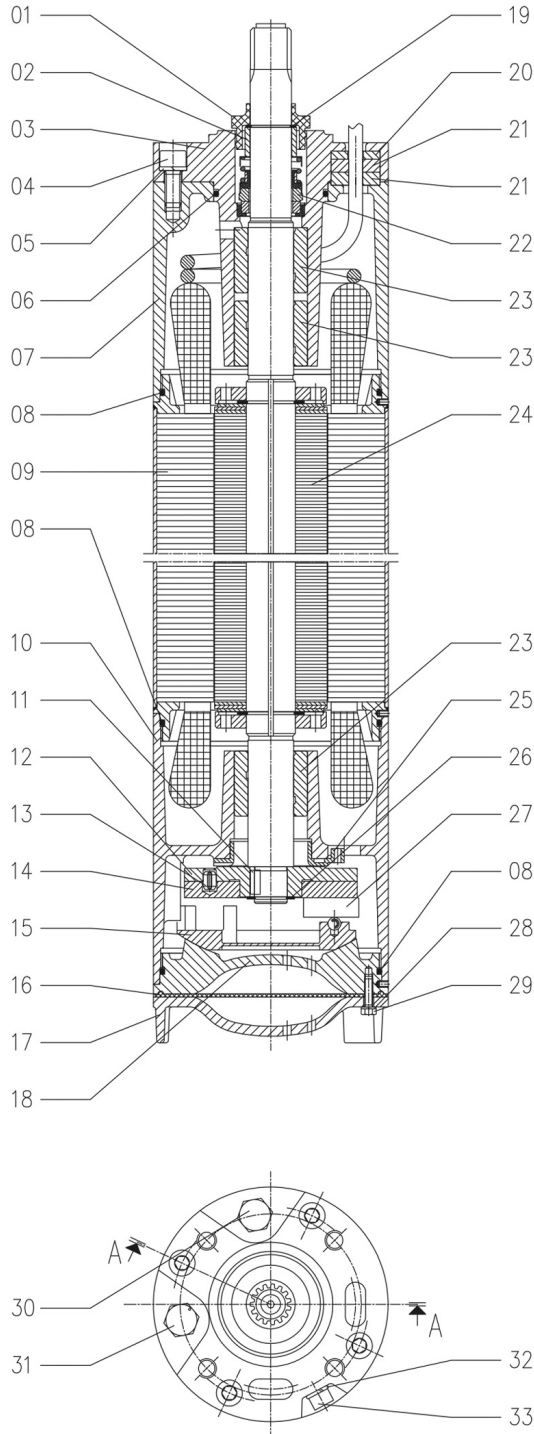
Page:  
 1

Receiver

From

Company name  
 Respons. Department  
 Person in charge  
 Phone number  
 Fax no  
 E-mail address





REF.	COMPONENT
01	Sand guard
02	Seal spacer
03	Upper support
04	Screw
05	Grower washer
06	O-ring
07	Upper cover
08	O-ring
09	Wound stator
10	Lower support
11	Key
12	Thrust bearing disc
13	Flexible pin
14	Thrust bearing ring
15	Sliding blocks holder
16	Compensation membrane
17	Membrane cover
18	Thrust bearing base
19	Seeger ring
20	Cable clamp ring
21	Cable clamp gasket
22	Complete mechanical seal
23	Bushing
24	Rotor
25	Counter-thrust sliding block
26	Seeger ring
27	Thrust bearing sliding blocks
28	Grower washer
29	Screw
30	Filling cap
31	Exhaust valve
32	Grower washer
33	Screw

Project	Project ID	Created by	Created on	Last update
---------	------------	------------	------------	-------------