



Technical Data

Submersible Motor - MSX201-100C

Revision no.

Page:
 1

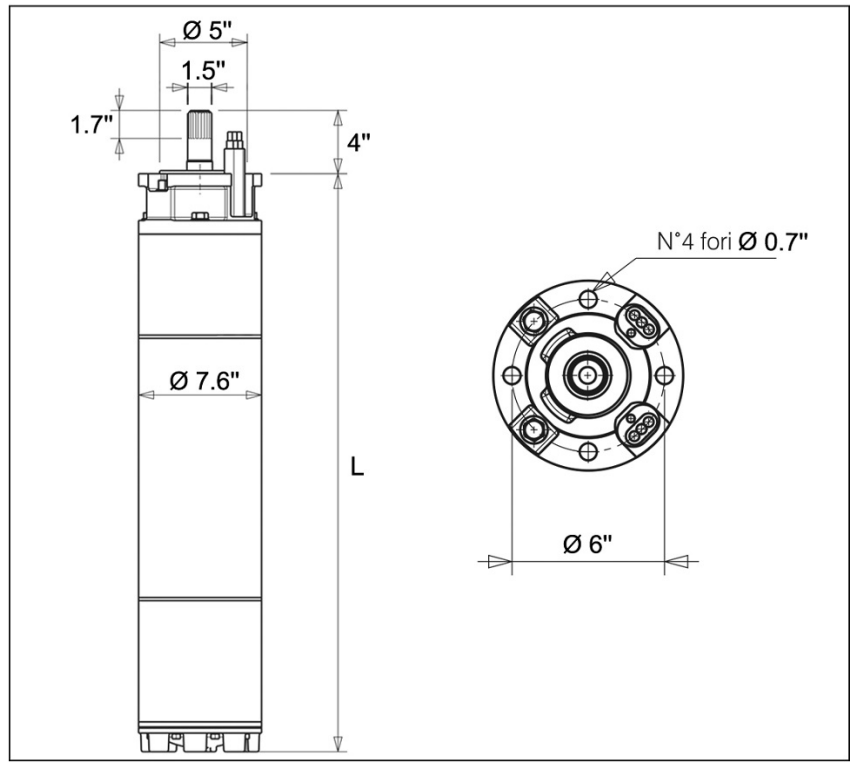
	Receiver	From
Company name		
Respons. Department		
Person in charge		
Phone number		
Fax no		
E-mail address		



Brand: Saer
Model: MSX201-100C
Made in Italy

Include PT100

Dimensions:



Flange Conection	Diameter	L	Net Weight
	in	in	lb
Nema	8	52.6	490.6

Project	Project ID	Created by	Created on	Last update
---------	------------	------------	------------	-------------



Technical Data

Submersible Motor - MSX201-100C

Revision no.

Page:

2

Receiver

From

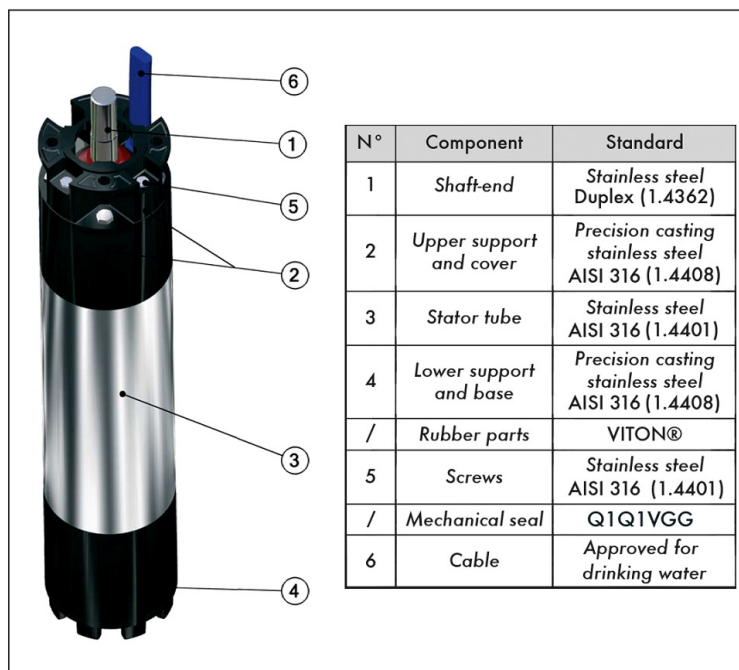
 Company name
 Respons. Department
 Person in charge
 Phone number
 Fax no
 E-mail address

Datasheet:

Motor		MSX201-100C
Rated Output	HP	100
	kW	75
Rated Voltage	V	460
Rated Current	A	124
RPM	min ⁻¹	3505
η (Eff.) %	50%	83.5
	75%	86.5
	100%	87
COSφ (PF)	50%	0.67
	75%	0.79
	100%	0.86
I _a / I _n		5.70
C _a / C _n		1.96
Axial Thrust	lb	10000

- I_a / I_n: Locked rotor current/Rated amperage
- C_a / C_n: Locked rotor Torque/Rated Torque

Materials:



Project

Project ID

Created by

Created on

Last update



Parts List

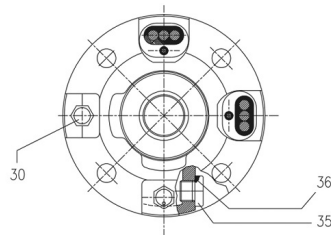
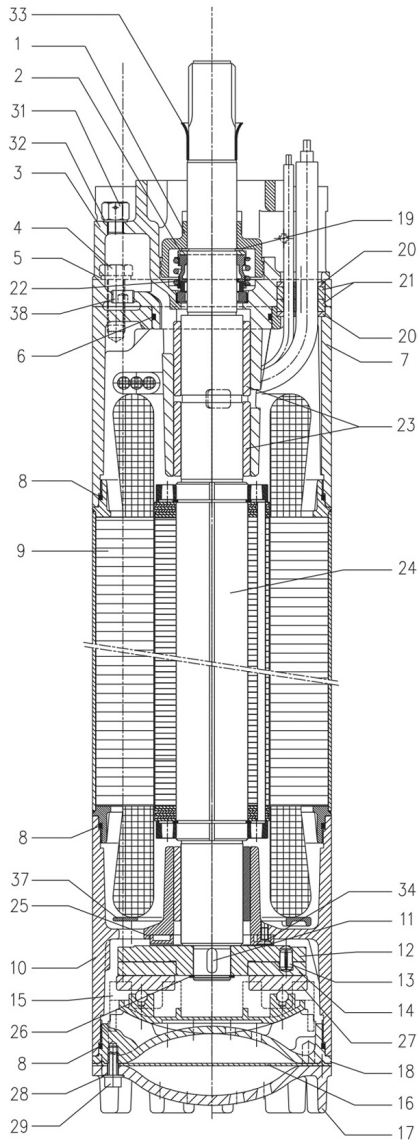
Submersible Motor - MSX201-100C

Revision no. _____
Page: 1

Receiver

From

Company name
Respons. Department
Person in charge
Phone number
Fax no
E-mail address



REF.	COMPONENT
01	Sand guard
02	Seal spacer
03	Upper support
04	Screw
05	Grower washer
06	O-ring
07	Upper cover
08	O-ring
09	Wound stator
10	Lower support
11	Key
12	Thrust bearing disc
13	Flexible pin
14	Thrust bearing ring
15	Sliding blocks holder
16	Compensation membrane
17	Membrane cover
18	Thrust bearing base
19	Seeger ring
20	Cable clamp ring
21	Cable clamp gasket
22	Complete mechanical seal
23	Bushing
24	Rotor
25	Counter-thrust sliding block
26	Seeger ring
27	Thrust bearing sliding blocks
28	Grower washer
29	Screw
30	Filling cap
31	Exhaust valve
32	Gasket washer
33	Shaft protection ring
34	Screw
35	Closing cap
36	Or-ring
37	Winding protection disc
38	Conic cap

Project	Project ID	Created by	Created on	Last update
---------	------------	------------	------------	-------------